

Data Sheet



Description

The ACPL-K370 and ACPL-K376 are voltage/current threshold detection optocouplers. The ACPL-K376 is a low-current version of the ACPL-K370. To obtain lower current operation, the ACPL-K376 uses a high-efficiency AlGaAs LED which has higher light output at lower drive currents. Both devices have a threshold sensing input buffer IC that allows threshold levels to be set by a single external resistor over a wide range of input voltages.

The input buffer has several performance enhancing features: hysteresis for extra noise immunity and switching immunity, a diode bridge for easy use with AC input signals, and internal clamping diodes to protect the buffer and LED from over-voltage and over-current transients. Because threshold sensing is done prior to driving the LED, variations in optical coupling from the LED to the detector will not effect the threshold levels.

The ACPL-K370 input buffer IC has a nominal turn-on threshold of 3.8 V (V_{TH+}) and 2.77 mA (I_{TH+}). The buffer IC for the ACPL-K376 is designed for lower input current. The nominal turn-on threshold for the ACPL-K376 is 3.8 V (V_{TH+}) and 1.32 mA (I_{TH+}), which reduces power dissipation by 52%.

The high-gain output stage features an open-collector output for both TTL compatible saturation voltages and CMOS compatible breakdown voltages.

By combining many unique functions in a single package, the ACPL-K370 and ACPL-K376 are ideal components for industrial control computer input boards and other applications where a predetermined input threshold level is needed.

Functional Diagram

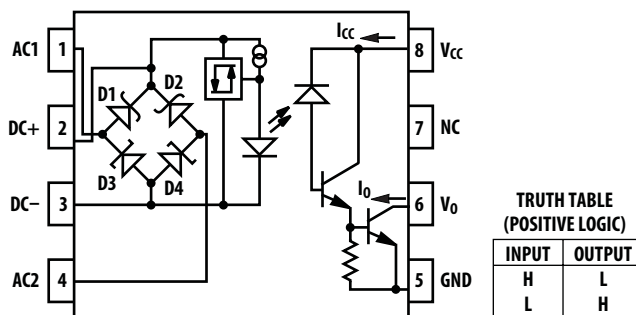


Figure 1. Functional Diagram

Features

- $\pm 5\%$ voltage detection accuracy
- Wide AC or DC detection range: up to 1140 V_{peak}
- User configurable single/dual detection levels
- Built-in hysteresis improves noise immunity
- Very low threshold current: 1.32 mA (ACPL-K376)
- Logic compatible output
- Wide output supply voltage: 2 V to 18 V
- -40°C to $+105^{\circ}\text{C}$ operating temperature range
- SSO-8 package with 8 mm creepage and clearance
- Safety and regulatory approval (pending):
 - IEC/EN/DIN EN 60747-5-5: 1140 V_{peak} working insulation voltage
 - UL 1577: 5000 V_{rms}/1minute double protection rating
 - CSA: Component Acceptance Notice #5

Applications

- Limit switch sensing
- Low voltage detector
- AC mains and DC-link voltage detection
- Relay contact monitor
- Relay coil voltage monitor
- Current sensing
- Microprocessor interfacing
- Telephone ring detection

Connection Diagram

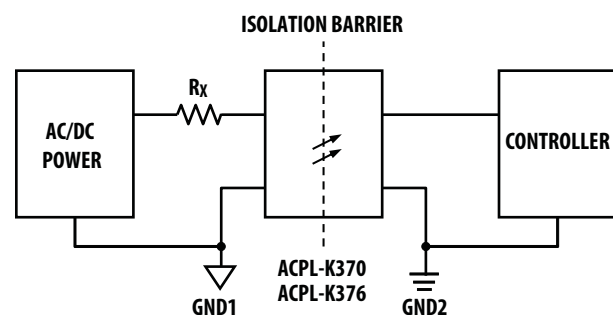


Figure 2. Connection Diagram

Table 1. Ordering Information

The ACPL-K370 and ACPL-K376 are UL recognized with 5000 Vrms for 1 minute per UL1577 (pending).

Part number	Option	Package	Surface Mount	Tape & Reel	IEC/EN/ DIN EN 60747-5-2	Quantity
	RoHS Compliant					
ACPL-K370 ACPL-K376	-000E	Stretched SO-8	X			80 per tube
	-060E		X		X	80 per tube
	-500E		X	X		1000 per reel
	-560E		X	X	X	1000 per reel

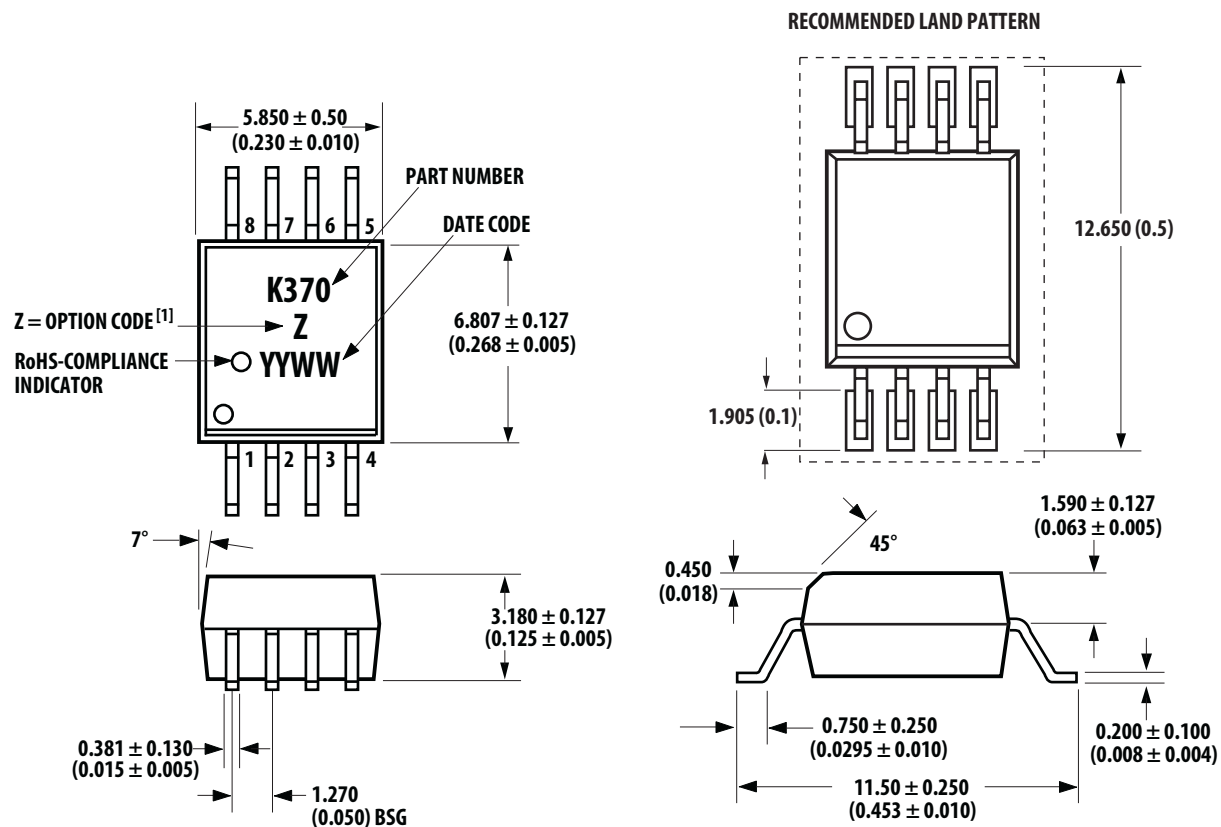
To form a complete ordering part number, choose a part number from the part number column and combine it with the desired option from the option column.

Example 1:

ACPL-K370-560E orders an RoHS compliant part with an IEC/EN/DIN EN 60747-5-5 certification and Tape & Reel packaging.

Package Outline Drawings

Stretched SO-8 Package (SSO-8)



Note 1. "V" = Options comprise 060; other options are not marked.

Dimensions in millimeters and (inches).
Lead coplanarity = 0.1 mm (0.004 inches).

Figure 3.

Recommended Lead-Free IR Soldering Profile

The recommended reflow soldering profile is per JEDEC Standard J-STD-020 (latest revision). Non-halide flux should be used.

Regulatory Information

The ACPL-K370/K376 is pending approval by the following organizations:

IEC/EN/DIN EN 60747-5-5 (with option 060)

Approved with a maximum working insulation voltage of $V_{IORM} = 1140 V_{peak}$, and with a highest allowable overvoltage of $V_{IOTM} = 8000 V_{peak}$.

UL

Approval under the UL 1577 component recognition program up to $V_{ISO} = 5000 V_{RMS} / 1$ minute. File E55361.

CSA

Approval under CSA Component Acceptance Notice #5, File CA 88324.

Table 2. Insulation Related Specifications

Parameter	Symbol	Value	Units	Conditions
Minimum External Air Gap (Clearance)	L(IO1)	8	mm	L(IO1)
Minimum External Tracking Path (Creepage)	L(IO2)	8	mm	Measured from input terminals to output terminals
Minimum Internal Plastic Gap (Clearance)		0.08	mm	Through insulation distance conductor to conductor
Tracking Resistance	CTI	175	V	DIN IEC 112/VDE 0303 Part 1
Isolation Group (per DIN VDE 0109)		IIIa		Material Group DIN VDE 0109

Table 3. IEC/EN/DIN EN 60747-5-5 Insulation Related Characteristics ^[1] (with option 060)

Description	Symbol	Characteristic	Units
Installation Classification per DIN VDE 0110/1.89, Table 1: for rated mains voltage ≤ 300 Vrms for rated mains voltage ≤ 450 Vrms for rated mains voltage ≤ 600 Vrms for rated mains voltage ≤ 1000 Vrms		I-IV I-III I-III I-II	
Climatic Classification		55/105/21	
Pollution Degree (DIN VDE 0110/1.89)		2	
Maximum Working Insulation Voltage	V _{IORM}	1140	V _{peak}
Input to Output Test Voltage, Method b V _{IORM} × 1.875 = V _{PR} , 100% Production Test with t _m = 1 second, Partial Discharge < 5 pC	V _{PR}	2137	V _{peak}
Input to Output Test Voltage, Method a V _{IORM} × 1.6 = V _{PR} , Type and sample test, t _m = 10 seconds, Partial Discharge < 5 pC	V _{PR}	1824	V _{peak}
Highest Allowable Overvoltage (Transient overvoltage, t _{ini} = 60 seconds)	V _{IOTM}	8000	V _{peak}
Safety Limiting Values (Maximum values allowed in the event of a failure)			
Case Temperature	T _S	175	°C
Input Current ^[2]	I _{S,INPUT}	230	mA
Output Power ^[2]	P _{S,OUTPUT}	600	mW
Insulation Resistance at T _S , V _{IO} = 500 V	R _S	10 ⁹	Ω

Notes:

- Insulation characteristics are guaranteed only within the safety maximum ratings, which must be ensured by protective circuits within the application.
- Safety-limiting parameters are dependent on case temperature. The input current, I_{S,INPUT}, should be derated linearly above 25°C free-air case temperature at a rate of 1.53 mA / °C; the Output Power, P_{S,OUTPUT}, should be derated linearly above 25°C free-air case temperature at a rate of 4 mW / °C.

Table 4. Absolute Maximum Ratings

Parameter	Symbol	Min	Max	Units	Note
Storage Temperature	T_S	-55	125	°C	
Operating Temperature	T_A	-40	105	°C	
Input Current, Average	I_{IN}		50	mA	1
Input Current, Surge	I_{IN}		140	mA	1, 2
Input Current, Transient	I_{IN}		500	mA	1, 2
Input Voltage (Pins 2-3)	V_{IN}	-0.5		V	
Input Power Dissipation	P_{IN}		200	mW	3
Total Package Power Dissipation	P_T		269	mW	4
Output Power Dissipation	P_O		163	mW	5
Output Current, Average	I_O		30	mA	6
Supply Voltage (Pins 8-5)	V_{CC}	-0.5	20	V	
Output Voltage (Pins 6-5)	V_O	-0.5	20	V	
Lead Solder Temperature		260°C for 10 seconds, measured at 1.6 mm below seating plane.			

Notes:

1. Current into or out of any single lead.
2. Surge input current duration is 3 ms at a 120 Hz pulse repetition rate. Transient input current duration is 10 μ s at a 120 Hz pulse repetition rate. Note that the maximum input power, P_{IN} , must be observed.
3. Derate linearly above 105°C free-air temperature at a rate of 10 mW / °C. The maximum input power dissipation of 200 mW allows an input IC junction temperature of 125°C at an ambient temperature of $T_A = 105^\circ\text{C}$. Excessive P_{IN} and T_J may result in IC chip degradation.
4. Derate linearly above 105°C free-air temperature at a rate of 13.5 mW / °C.
5. Derate linearly above 105°C free-air temperature at a rate of 8.2 mW / °C. A maximum output power dissipation of 163 mW allows an output IC junction temperature of 125°C at an ambient temperature of $T_A = 105^\circ\text{C}$.
6. Derate linearly above 105°C free-air temperature at a rate of 1.5 mA / °C.

Table 5. Recommended Operating Conditions

Parameter	Symbol	Min	Max	Units	Note
Supply Voltage	V_{CC}	2	18	V	
Operating Temperature	T_A	-40	105	°C	
Operating Frequency, $V_{CC} = 5\text{ V}$	f	0	9	kHz	1
Operating Frequency, $V_{CC} = 3.3\text{ V}$	f	0	5	kHz	1

Notes:

1. Maximum operating frequency is defined when the output waveform at pin 6 obtains only 90% of V_{CC} with $R_L = 4.7\text{ k}\Omega$, $C_L = 30\text{ pF}$ using a 5 V square wave input signal.

Table 6. Electrical SpecificationsUnless otherwise noted, $T_A = -40^\circ\text{C}$ to $+105^\circ\text{C}$ and $V_{CC} = 3\text{ V}$ to 5.5 V .

Parameter	Sym.	Device	Min	Typ ^[1]	Max	Units	Test Conditions/Notes	Fig.
Upper Threshold Voltage, DC Input (Pins 2, 3)	V_{TH+}		3.6 (-5%)	3.8	4 (+5%)	V	$T_A = 25^\circ\text{C}$, $V_{IN} = V_{DC+} - V_{DC-}$; AC1 and AC2 open	5, 6
			3.35		4.05	V	$V_{IN} = V_{DC+} - V_{DC-}$; AC1 and AC2 open	5, 6
Lower Threshold Voltage, DC Input (Pins 2, 3)	V_{TH-}		2.45 (-5%)	2.59	2.72 (+5%)	V	$T_A = 25^\circ\text{C}$, $V_{IN} = V_{DC+} - V_{DC-}$; AC1 and AC2 open	5, 6
			2.01		2.96	V	$V_{IN} = V_{DC+} - V_{DC-}$; AC1 and AC2 open	5, 6
Upper Threshold Voltage, AC Input (Pins 1, 4)	V_{TH+}		4.7 (-6%)	5	5.3 (+6%)	V	$T_A = 25^\circ\text{C}$, $V_{IN} = V_{AC1} - V_{AC2}$, DC+ and DC- open; Note 2	5, 6
			4.23		5.5	V	$V_{IN} = V_{AC1} - V_{AC2}$, DC+ and DC- open	5, 6
Lower Threshold Voltage, AC Input (Pins 1, 4)	V_{TH-}		3.57 (-6%)	3.8	4.03 (+6%)	V	$T_A = 25^\circ\text{C}$, $V_{IN} = V_{AC1} - V_{AC2}$, DC+ and DC- open	5, 6
			2.87		4.42	V	$V_{IN} = V_{AC1} - V_{AC2}$, DC+ and DC- open	5, 6
Upper Threshold Current	I_{TH+}	ACPL-K370	2.26	2.77	2.99	mA	$T_A = 25^\circ\text{C}$	5, 6
			1.96		3.11			5, 6
Upper Threshold Current	I_{TH+}	ACPL-K376	1.03	1.32	1.46	mA	$T_A = 25^\circ\text{C}$	5, 6
			0.87		1.56			5, 6
Lower Threshold Current	I_{TH-}	ACPL-K370	1.09	1.44	1.59	mA	$T_A = 25^\circ\text{C}$	5, 6
			1		1.62			5, 6
Lower Threshold Current	I_{TH-}	ACPL-K376	0.48	0.68	0.77	mA	$T_A = 25^\circ\text{C}$	5, 6
			0.43		0.8			5, 6
Current Hysteresis	I_{HYS}	ACPL-K370	1.2		mA	$I_{HYS} = I_{TH+} - I_{TH-}$	5	
		ACPL-K376	0.6					
Voltage Hysteresis	V_{HYS}		1.2		V	$V_{HYS} = V_{TH+} - V_{TH-}$	5	
Input Clamp Voltage	V_{IHC1}		5.4	6.1	6.8	V	$V_{IHC1} = V_{DC+} - V_{DC-}$, $I_{IN} = 10\text{ mA}$, AC1 & AC2 connected to DC-	4
	V_{IHC2}		6.1	6.8	7.4	V	$V_{IHC2} = V_{AC1} - V_{AC2} $, $ I_{IN} = 10\text{ mA}$, DC+ and DC- open	4
	V_{IHC3}		12.5	13.4		V	$V_{IHC3} = V_{DC+} - V_{DC-}$, $I_{IN} = 15\text{ mA}$, AC1 & AC2 open	4
	V_{ILC}			-0.76		V	$V_{ILC} = V_{DC+} - V_{DC-}$, $I_{IN} = -10\text{ mA}$	
Input Current	I_{IN}	ACPL-K370	3.2	3.9	4.4	mA	$V_{DC+} - V_{DC-} = 5\text{ V}$, AC1 and AC2 open	8
Input Current	I_{IN}	ACPL-K376	1.5	1.9	2.2			
Bridge Diode Forward Voltage	$V_{D1,2}$	ACPL-K370	0.59		V	$I_{IN} = 3\text{ mA}$		
		ACPL-K376	0.47					$I_{IN} = 1.5\text{ mA}$
	$V_{D3,4}$	ACPL-K370	0.78		V	$I_{IN} = 3\text{ mA}$		
		ACPL-K376	0.73					$I_{IN} = 1.5\text{ mA}$
Logic Low Output Voltage	V_{OL}		0.05	0.4	V	$V_{CC} = 4.5\text{ V}$, $I_{OL} = 4.2\text{ mA}$; Note 3	8	
Logic High Output Current	I_{OH}			100	μA	$V_{OH} = V_{CC} = 18\text{ V}$; Note 4		
Logic Low Supply Current	I_{CCL}	ACPL-K370	0.9	4	mA	$V_{DC+} - V_{DC-} = 5\text{ V}$, V_O open	9	
		ACPL-K376	0.5	3				
Logic High Supply Current	I_{CCH}		0.002	4	μA	$V_{CC} = 18\text{ V}$, V_O open	7	
Input Capacitance	C_{IN}		50		pF	$f = 1\text{ MHz}$, $V_{IN} = 0\text{ V}$		

Notes:

- All typical values are at $T_A = 25^\circ\text{C}$ unless otherwise stated.
- AC voltage is instantaneous voltage.
- A logic "Low" output level at pin 6 occurs under the conditions of $V_{IN} \geq V_{TH+}$ as well as the range of $V_{IN} > V_{TH-}$ once V_{IN} has exceeded V_{TH+} .
- A logic "High" output level at pin 6 occurs under the conditions of $V_{IN} \leq V_{TH-}$ as well as the range of $V_{IN} < V_{TH+}$ once V_{IN} has decreased below V_{TH-} .

Table 7. Switching SpecificationsUnless otherwise noted, $T_A = -40^\circ\text{C}$ to $+105^\circ\text{C}$.

Parameter	Sym	Device	Min	Typ ^[1]	Max	Units	Test Conditions/Notes	Fig.
V_{CC} = 4.5 V								
Propagation Delay Time to Logic Low at Output	t _{PHL}	ACPL-K370	3.7	7.5		μs	R _L = 4.7 kΩ, C _L = 30 pF; Note 2	10
		ACPL-K376	6.2	12.5		μs		
		ACPL-K370	3.7	7.5		μs	R _L = 1.8 kΩ, C _L = 15 pF; Note 2	
		ACPL-K376	6.3	12.5		μs		
Propagation Delay Time to Logic High at Output	t _{PLH}	ACPL-K370	13.8	70		μs	R _L = 4.7 kΩ, C _L = 30 pF; Note 3	10
		ACPL-K376	13.3	70		μs		
		ACPL-K370	8.5	45		μs	R _L = 1.8 kΩ, C _L = 15 pF; Note 3	
		ACPL-K376	6.4	45		μs		
Output Rise Time (10-90%)	t _R	ACPL-K370	25			μs	R _L = 4.7 kΩ, C _L = 30 pF	11
		ACPL-K376	24			μs		
Output Fall Time (90-10%)	t _F	ACPL-K370	0.3			μs	R _L = 4.7 kΩ, C _L = 30 pF	11
		ACPL-K376	0.4			μs		
V_{CC} = 3.3 V								
Propagation Delay Time to Logic Low at Output	t _{PHL}	ACPL-K370	4	7.5		μs	R _L = 4.7 kΩ, C _L = 30 pF; Note 2	
		ACPL-K376	6.8	12.5		μs		
		ACPL-K370	4	7.5		μs	R _L = 1.8 kΩ, C _L = 15 pF; Note 2	
		ACPL-K376	6.9	12.5		μs		
Propagation Delay Time to Logic High at Output	t _{PLH}	ACPL-K370	19	90		μs	R _L = 4.7 kΩ, C _L = 30 pF; Note 3	
		ACPL-K376	18.5	90		μs		
		ACPL-K370	12.8	70		μs	R _L = 1.8 kΩ, C _L = 15 pF; Note 3	
		ACPL-K376	12.5	70		μs		
Output Rise Time (10-90%)	t _R	ACPL-K370	27			μs	R _L = 4.7 kΩ, C _L = 30 pF	
		ACPL-K376	26			μs		
Output Fall Time (90-10%)	t _F	ACPL-K370	0.3			μs	R _L = 4.7 kΩ, C _L = 30 pF	
		ACPL-K376	0.5			μs		
V_{CC} = 3 V to 5.5 V								
Common Mode Transient Immunity at Logic High Output	CM _H		10			kV/μs	I _{IN} = 0 mA, R _L = 4.7 kΩ, V _{O,MIN} = 2 V, V _{CM} = 1500 V; Notes 4, 5	
Common Mode Transient Immunity at Logic Low Output	CM _L	ACPL-K370	1			kV/μs	I _{IN} = 3.11 mA, R _L = 4.7 kΩ, V _{O,MAX} = 0.8 V, V _{CM} = 500 V; Notes 4, 5	
		ACPL-K376	1			kV/μs	I _{IN} = 1.56 mA, R _L = 4.7 kΩ, V _{O,MAX} = 0.8 V, V _{CM} = 500 V; Notes 4, 5	

Notes:

- All typical values are at $T_A = 25^\circ\text{C}$ unless otherwise stated.
- The t_{PHL} propagation delay is measured from the 2.5 V level of the leading edge of a 5.0 V input pulse (1 μs rise time) to the 1.5 V level on the leading edge of the output pulse. C_L includes probe and stray wiring capacitance.
- The t_{PLH} propagation delay is measured from the 2.5 V level of the trailing edge of a 5.0 V input pulse (1 μs fall time) to the 1.5 V level on the trailing edge of the output pulse. C_L includes probe and stray wiring capacitance.
- Common mode transient immunity with a logic "High" level is the maximum tolerable (positive) dV_{CM}/dt on the leading edge of the common mode pulse, V_{CM}, to insure that the output will remain in a logic "High" state (i.e., V_O > 2.0 V). Common mode transient immunity in logic "Low" level is the maximum tolerable (negative) dV_{CM}/dt on the trailing edge of the common mode pulse signal, V_{CM}, to insure that the output will remain in a logic "Low" state (i.e., V_O < 0.8 V).
- In applications where dV_{CM}/dt may exceed 50 kV / μs (such as when a static discharge occurs), a series resistor, R_{CC}, should be included to protect the detector IC from destructive high surge currents. The recommended value for R_{CC} is 240 Ω per volt of allowable drop in V_{CC} (between pin 8 and V_{CC}) with a minimum value of 240 Ω.

Table 8. Package Characteristics

Over recommended temperature range of $T_A = -40^\circ\text{C}$ to 105°C unless otherwise specified.

Parameter	Symbol	Min	Typ	Max	Units	Test Conditions
Input-Output Momentary Withstand Voltage	V_{ISO}	5000			Vrms	$RH \leq 50\%$, $t = 1 \text{ min}$; $T_A = 25^\circ\text{C}$; Notes 1 to 3
Input-Output Resistance	R_{I-O}		10^{12}		Ω	$V_{I-O} = 500 \text{ Vdc}$; Note 2
Input-Output Capacitance	C_{I-O}		0.6		pF	$f = 1 \text{ MHz}$, $V_{I-O} = 0 \text{ Vdc}$; Note 2

Notes:

1. The input-output momentary withstand voltage is a dielectric voltage rating that should not be interpreted as an input-output continuous voltage rating. For the continuous voltage rating refer to the IEC/EN/DIN EN 60747-5-5 Insulation Characteristics Table (if applicable), your equipment level safety specification, or Avago Application Note 1074, *Optocoupler Input-Output Endurance Voltage*.
2. Device considered a two terminal device: pins 1, 2, 3, 4 connected together, and pins 5, 6, 7, 8 connected together.
3. In accordance with UL 1577, each optocoupler is proof tested by applying an insulation test voltage $\geq 6000 \text{ Vrms}$ for 1 second (leakage detection current limit, $I_{I-O} \leq 5 \mu\text{A}$).

Typical Performance Plots

Unless otherwise noted, $T_A = 25^\circ\text{C}$.

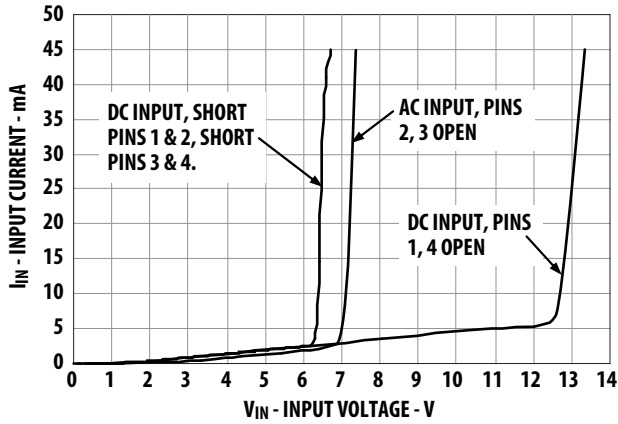
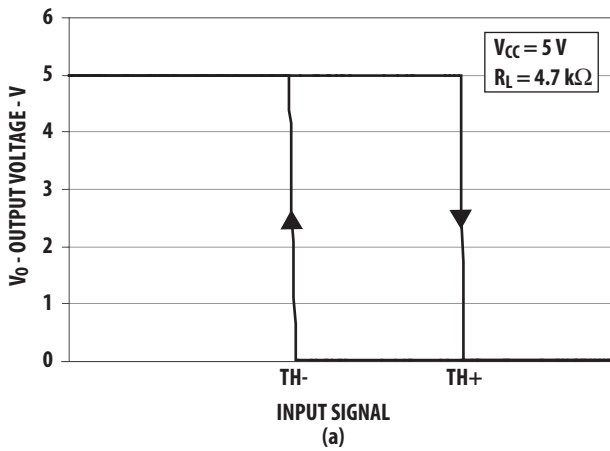


Figure 4. Typical input characteristics I_{IN} vs. V_{IN} (AC voltage is an instantaneous value).



Input Signal	Device	TH+	TH-	Input Connection
I_{TH}	ACPL-K370	2.77mA	1.44mA	PINS 2, 3 OR 1, 4
	ACPL-K376	1.32mA	0.68mA	
$V_{TH(DC)}$	ALL	3.8V	2.59V	PINS 2, 3
$V_{TH(AC)}$	ALL	5V	3.8V	PINS 1, 4

(b)

Figure 5. (a) Typical transfer characteristics, and (b) Input threshold levels.

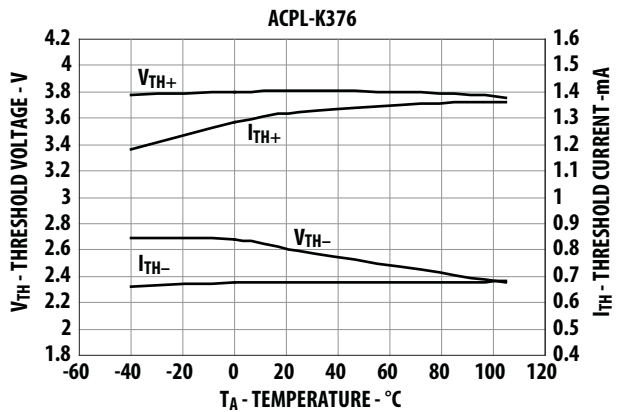
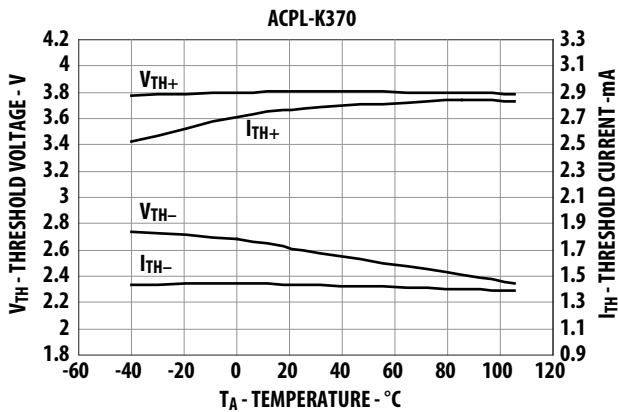


Figure 6. Typical DC threshold levels vs. temperature for (a) ACPL-K370, and (b) ACPL-K376.

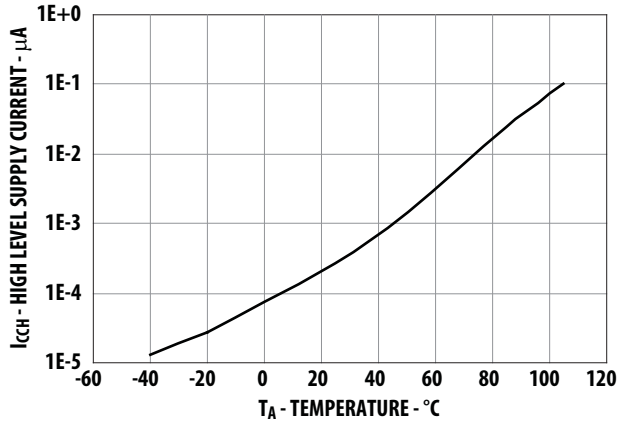


Figure 7. Typical high level supply current, I_{CCH} vs. temperature.

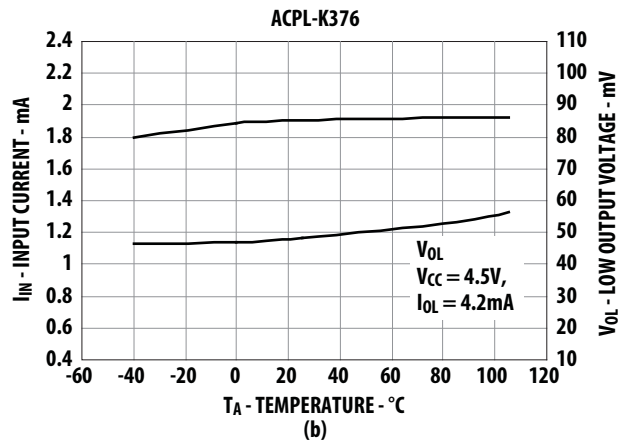
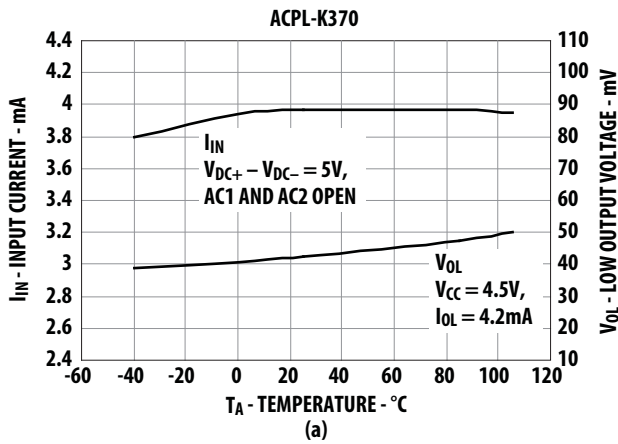


Figure 8. Typical input current, I_{IN} , and low level output voltage, V_{OL} vs. temperature for (a) ACPL-K370 and (b) ACPL-K376.

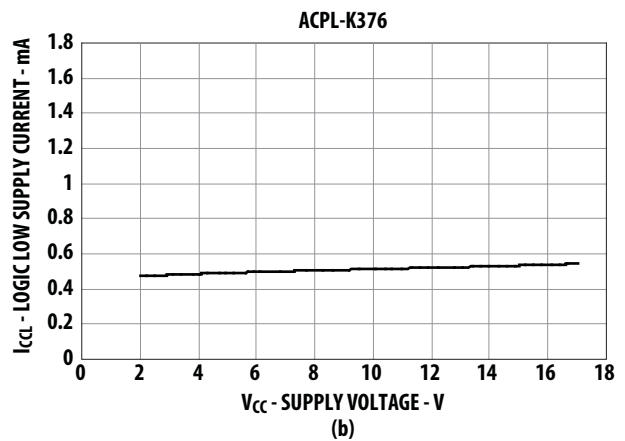
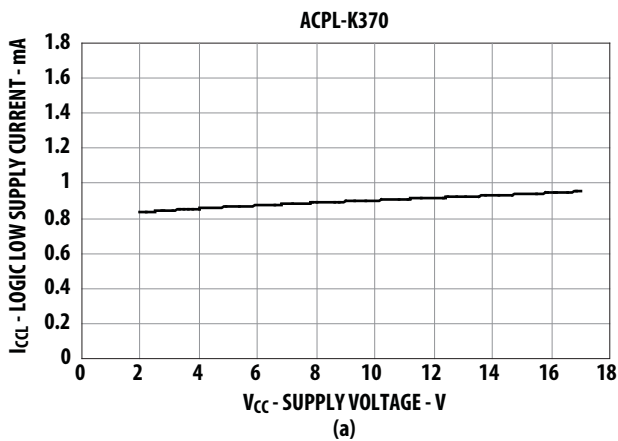


Figure 9. Typical logic low supply current vs. supply voltage for (a) ACPL-K370 and (b) ACPL-K376.

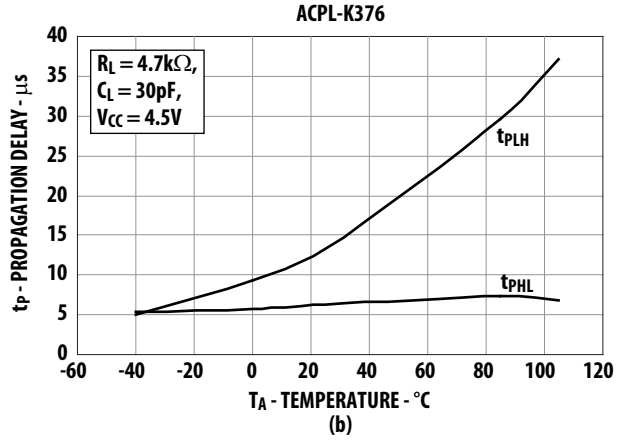
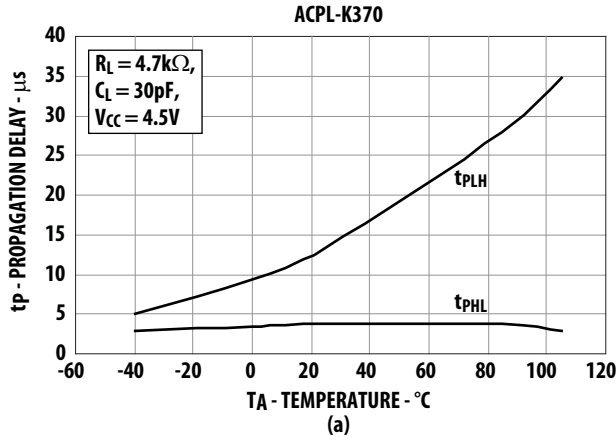


Figure 10. Typical propagation delay vs. temperature for (a) ACPL-K370 and (b) ACPL-K376.

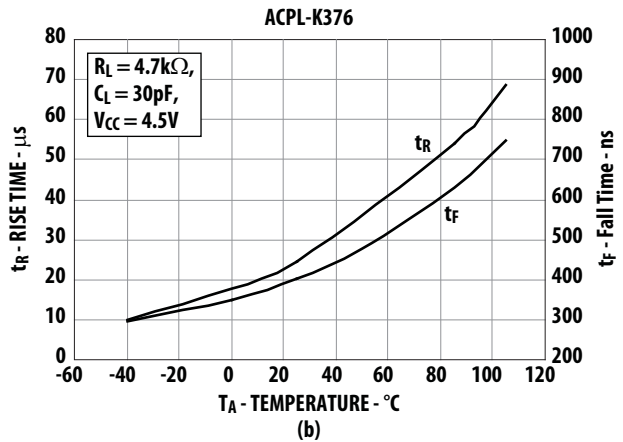
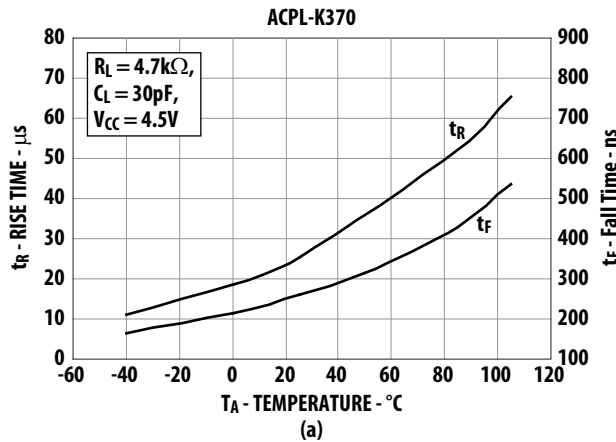


Figure 11. Typical rise, fall times vs. temperature for (a) ACPL-K370, and (b) ACPL-K376.

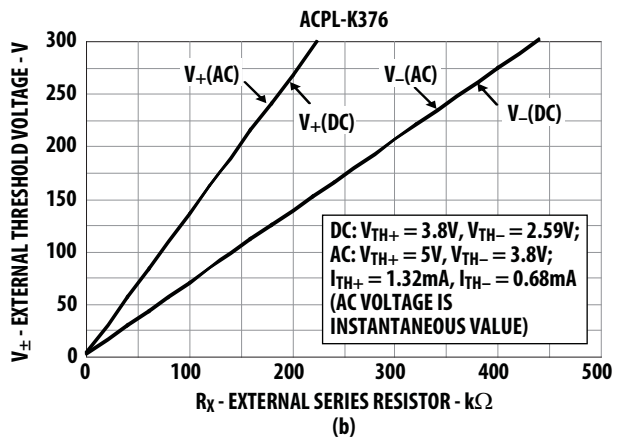
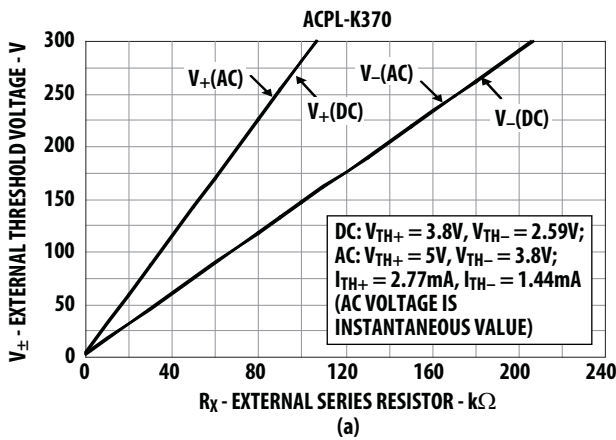


Figure 12. Typical external threshold characteristics, V_{\pm} vs. R_x for (a) ACPL-K370 and (b) ACPL-K376.

Electrical Considerations

The ACPL-K370/K376 optocouplers have internally temperature compensated, predictable voltage and current threshold points. This allows a single external resistor, R_X , to determine larger external threshold voltage levels. For a desired external threshold voltage, V_{\pm} , the approximate R_X value is shown in Figure 12. Equation 1 can be used to calculate R_X .

V_+ and V_- voltage threshold levels can be simultaneously set with two resistors, R_X and R_P , as shown in Figure 13 and determined by Equations 4 and 5.

R_X can provide over-current transient protection by limiting input current during a transient condition. For monitoring contacts of a relay or switch, the ACPL-K370/K376 in combination with R_X and R_P can be used to allow a specific current to be conducted through the contacts for cleaning purposes (wetting current).

The choice of which input voltage clamp level to choose depends upon the application of this device (see Figure 4). It is recommended that the low clamp condition be used when possible. The low clamp condition in conjunction with the low input current feature will ensure extremely low input power dissipation.

In applications where dV_{CM}/dt may be extremely large (such as with a static discharge), a series resistor, R_{CC} , should be connected in series with V_{CC} and pin 8 to protect the detector IC from destructive high surge currents. The recommended value for R_{CC} is 240 Ω per volt of allowable drop in V_{CC} (between Pin 8 and V_{CC}) with a minimum value of 240 Ω . In addition, it is recommended that a ceramic disc bypass capacitor of 0.01 μF be placed between pins 5 and 8 to reduce the effect of power supply noise.

For interfacing ac signals to TTL systems, output low pass filtering can be performed with a pull-up resistor of 1.5 k Ω and 20 μF capacitor. This application requires a Schmitt trigger gate to avoid slow rise time chatter problems. For AC input applications, a filter capacitor can be placed across the DC input terminals for either signal or transient filtering.

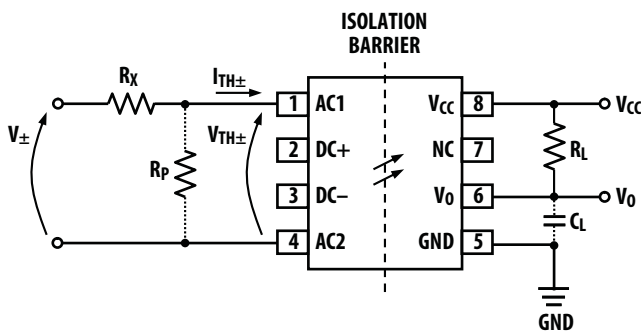


Figure 13. External threshold voltage level selection.

Either AC (pins 1 and 4) or DC (pins 2 and 3) input can be used to determine external threshold levels. For single specifically selected external threshold voltage level V_+ or V_- , R_X can be determined without use of R_P via:

$$R_X = \frac{V_{+(-)} - V_{TH+(-)}}{I_{TH+(-)}} \quad \text{Equation 1}$$

For dual specifically selected external threshold voltage levels, V_+ and V_- , the use of R_X and R_P will permit this selection. Two equations can be written:

$$V_+ = R_X \left(I_{TH+} + \frac{V_{TH+}}{R_P} \right) + V_{TH+} \quad \text{Equation 2}$$

$$V_- = R_X \left(I_{TH-} + \frac{V_{TH-}}{R_P} \right) + V_{TH-} \quad \text{Equation 3}$$

Solving these equations for R_X and R_P yields the following two expressions:

$$R_X = \frac{V_{TH-}(V_+) - V_{TH+}(V_-)}{I_{TH+}(V_{TH-}) - I_{TH-}(V_{TH+})} \quad \text{Equation 4}$$

$$R_P = \frac{V_{TH-}(V_+) - V_{TH+}(V_-)}{I_{TH+}(V_- - V_{TH-}) + I_{TH-}(V_{TH+} - V_+)} \quad \text{Equation 5}$$

where

V_+ and V_- are the desired external voltage threshold levels, and values for $V_{TH\pm}$ and $I_{TH\pm}$ are found from the data sheet.

Equations 4 and 5 are valid only if the conditions of Equations 6 or 7 are met. With the $V_{TH\pm}$ and $I_{TH\pm}$ values, the denominator of Equation 4 is checked to see if it is positive or negative. If it is positive, then the following ratios must be met:

$$\frac{V_+}{V_-} \geq \frac{V_{TH+}}{V_{TH-}} \quad \text{and} \quad \frac{V_+ - V_{TH+}}{V_- - V_{TH-}} < \frac{I_{TH+}}{I_{TH-}} \quad \text{Equation 6}$$

Conversely, if the denominator of Equation 4 is negative, then the following ratios must hold:

$$\frac{V_+}{V_-} \leq \frac{V_{TH+}}{V_{TH-}} \quad \text{and} \quad \frac{V_+ - V_{TH+}}{V_- - V_{TH-}} > \frac{I_{TH+}}{I_{TH-}} \quad \text{Equation 7}$$

Refer to Application Note 1004 for more application information and worked out examples.

For product information and a complete list of distributors, please go to our web site: www.avagotech.com

Avago, Avago Technologies, the A logo and R²Coupler™ are trademarks of Avago Technologies in the United States and other countries. Data subject to change. Copyright © 2005-2009 Avago Technologies. All rights reserved.
AV02-2153EN - September 23, 2009

