

# LM5027 Evaluation Board

National Semiconductor  
Application Note 1976  
Terry Allinder  
August 19, 2009



## Introduction

The LM5027 evaluation board is designed to provide the design engineer with a fully functional power converter based on the Active Clamp Forward topology to evaluate the LM5027 controller. The evaluation board is provided in an industry standard quarter-brick footprint.

The performance of the evaluation board is as follows:

Input Operating Range: 36 to 78V (100V peak)

Output Voltage: 3.3V

Output Current: 0 to 30A

Measured Efficiency: 90.5% @ 30A, 92.5% @ 15A

Frequency of Operation: 250 kHz

Board Size: 2.3 X 1.45 x 0.5 inches

Load Regulation: 1%

Line Regulation: 0.1%

Line UVLO, Hiccup Current Limit

The printed circuit board consists of 6 layers of 2 ounce copper on FR4 material with a total thickness of 0.050 inches. The unit is designed for continuous operation at rated load at <math>40^{\circ}\text{C}</math> and a minimum airflow of 200 CFM.

## Theory of Operation

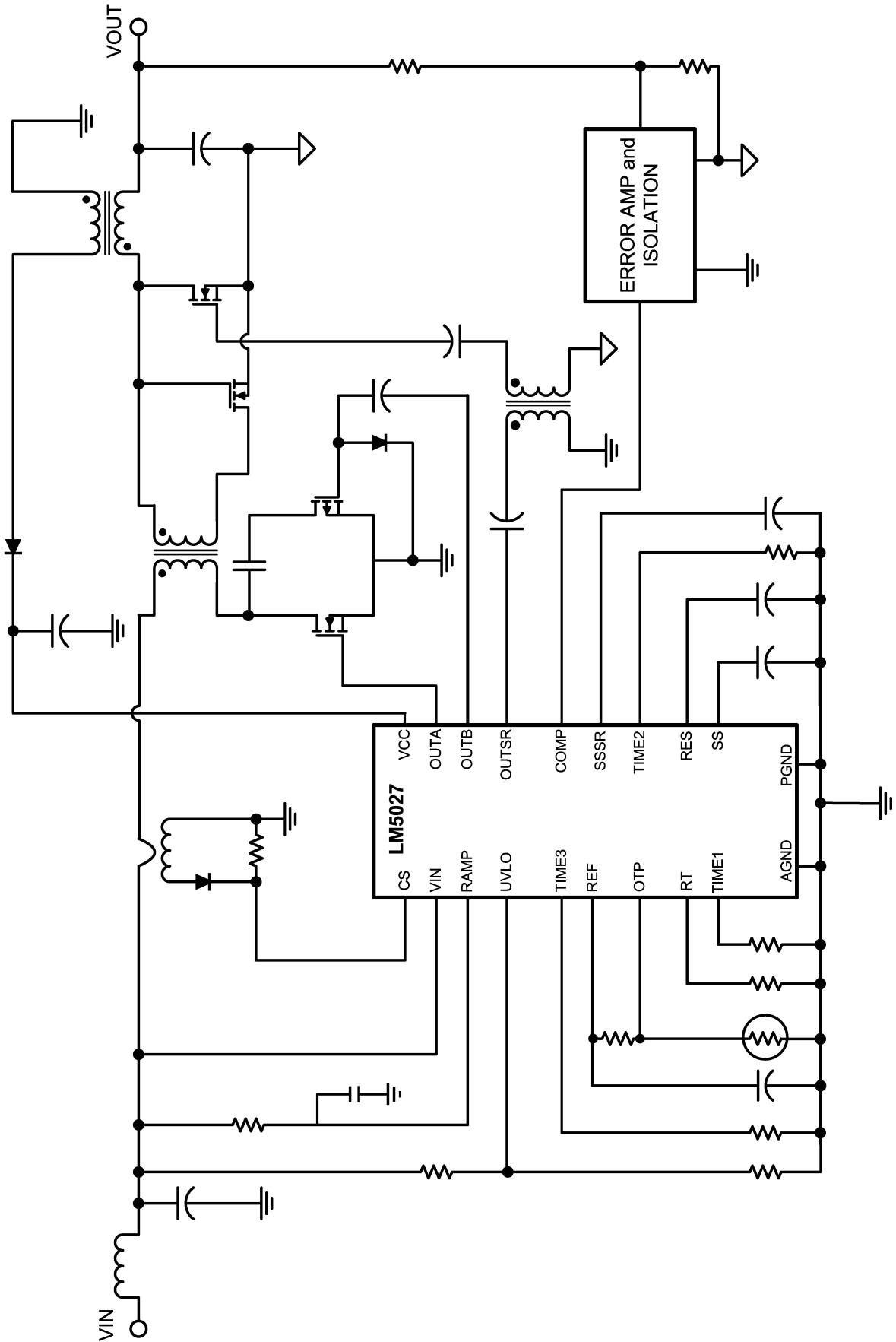
Power converters based on the Forward topology offer high efficiency and good power handling capability in applications up to several hundred Watts. The operation of the transformer in a forward topology does not inherently self-reset each power switching cycle; a mechanism to reset the transformer is required. The active clamp reset mechanism is presently finding extensive use in medium level power converters in the 50 to 200W range.

The Forward converter is derived from the Buck topology family, employing a single modulating power switch. The main difference between the topologies are, the Forward topology employs a transformer to provide input / output ground isolation and a step down or step up function.

Each cycle, the main primary switch turns on and applies the input voltage across the primary winding, which has 12 turns. The transformer secondary has 2 turns, leading to a 6:1 step-down of the input voltage. For an output voltage of 3.3V the required duty cycle (D) of the main switch must vary from approximately 60% (low line) to 25% (high line). The clamp capacitor along with the reset switch reverse biases the transformer primary each cycle when the main switch turns off. This reverse voltage resets the transformer. The clamp capacitor voltage is  $V_{in} / (1-D)$ .

Feedback from the output is processed by an amplifier and reference, generating an error voltage, which is coupled back to the primary side control through an optocoupler. The LM5027 voltage mode controller pulse width modulates the error signal with a ramp signal derived from the input voltage. Deriving the ramp signal slope from the input voltage provides line feed-forward, which improves line transient rejection. The LM5027 also provides a controlled delay necessary for the reset switch. The evaluation board can be synchronized to an external clock with a recommended frequency range of 275 to 300 kHz.

# Schematic



30098201

## Powering and Loading Considerations

When applying power to the LM5027 evaluation board certain precautions need to be followed. A failure or mis-connection can present itself in a very alarming manner.

### PROPER CONNECTIONS

When operated at low input voltages the evaluation board can draw up to 3.5A of current at full load. The maximum rated output current is 30A. Be sure to choose the correct connector and wire size when attaching the source supply and the load. Monitor the current into and out of the evaluation board. Monitor the voltage directly at the output terminals of the evaluation board. The voltage drop across the load connecting wires will give inaccurate measurements; this is especially true for accurate efficiency measurements.

### SOURCE POWER

The evaluation board can be viewed as a constant power load. At low input line voltage (36V) the input current can reach 3.5A, while at high input line voltage (78V) the input current will be approximately 1.5A. Therefore to fully test the LM5027 evaluation board a DC power supply capable of at least 80V and 4A is required. The power supply must have adjustments for both voltage and current. An accurate read-out of output current is desirable since the current is not subject to loss in the cables as voltage is. The power supply and cabling must present a low impedance to the evaluation board. Insufficient cabling or a high impedance power supply will droop during power supply application with the evaluation board inrush current. If large enough, this droop will cause a chattering condition upon power up. This chattering condition is an interaction with the evaluation board undervoltage lock-out, the cabling impedance and the inrush current.

### LOADING

An appropriate electronic load, with specified operation down to 3.0V minimum, is desirable. The resistance of a maximum load is 0.11 $\Omega$ . You need thick cables! Consult a wire chart if needed. If resistor banks are used there are certain precautions to be taken. The wattage and current ratings must be adequate for a 30A, 100W supply. Monitor both current and

voltage at all times. Ensure there is sufficient cooling provided for the load.

### AIR FLOW

An appropriate electronic load, with specified operation down to 3.0V minimum, is desirable. The resistance of a maximum load is 0.11 $\Omega$ . You need thick cables! Consult a wire chart if needed. If resistor banks are used there are certain precautions to be taken. The wattage and current ratings must be adequate for a 30A, 100W supply. Monitor both current and voltage at all times. Ensure there is sufficient cooling provided for the load.

### POWERING UP

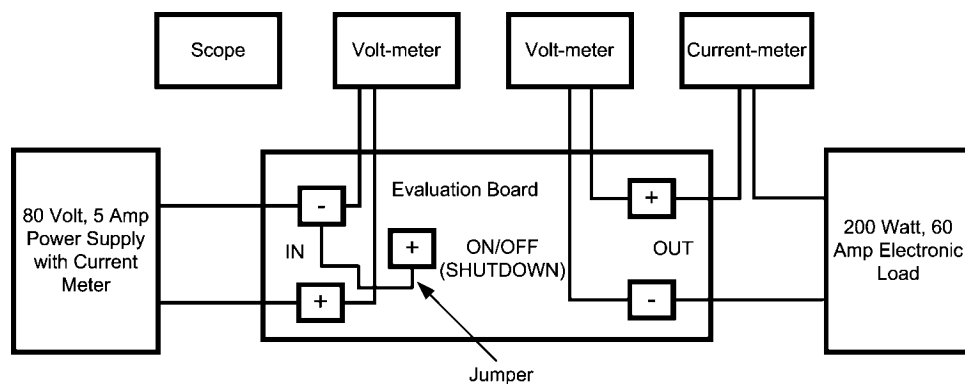
Using the shutdown pin provided will allow powering up the source supply with the current level set low. It is suggested that the load be kept quite nominal during the first power up. Set the current limit of the source supply to provide about 1.5 times the wattage of the load. As you remove the connection from the shutdown pin to ground, immediately check for 3.3 volts at the output.

A most common occurrence, that will prove unnerving, is when the current limit set on the source supply is insufficient for the load. The result is similar to having the high source impedance referred to earlier. The interaction of the source supply folding back and the evaluation board going into undervoltage shutdown will start an oscillation, or chatter, that may have highly undesirable consequences.

A quick efficiency check is the best way to confirm that everything is operating properly. If something is amiss you can be reasonably sure that it will affect the efficiency adversely. Few parameters can be incorrect in a switching power supply without creating losses and potentially damaging heat.

### OVER CURRENT PROTECTION

The evaluation board is configured with hiccup over-current protection. In the event of an output overload (approximately 33A) the unit will discharge the softstart capacitor, which disables the power stage. After a delay the soft-start is released. The shutdown, delay and slow recharge time of the softstart capacitor protects the unit, especially during short circuit event where the stress is highest.



Typical Evaluation Setup

30098202

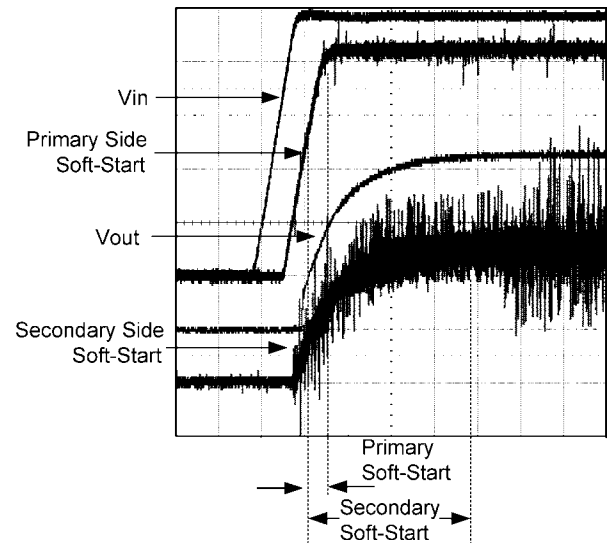
## Start-Up

Power supplies have a soft-start circuit(s) to control their output voltage when input power is applied. The soft-start sequence limits the peak inrush current as the output capacitors are charged, and prevents the output voltage from overshooting. In most power supplies there are primary side and secondary side soft-start circuits.

The primary side soft-start circuit is generally in a primary side controller and the soft-start time is set with an external capacitor. The function of the primary side soft-start circuit is to slowly increasing the duty cycle of the controller from zero to the maximum duty cycle. The maximum duty cycle varies based on the controller and the circuit topology.

The secondary side soft-start circuit connects a resistor/capacitor from the secondary side voltage reference to the positive input of the error amplifier. The soft-start time is set by the resistor/capacitor time constant and works by ramping up the voltage reference on the secondary side error amplifier. The output of the error amplifier is fed across the isolation boundary to the primary side controller compensation input which is connected to the controller PWM input. The voltage at the compensation input increases to a value required for regulation as determined by the voltage feedback loop. The secondary side soft-start along with the primary side soft-start work together to control the duty cycle on start-up to controlling the power supplies output start-up time, and limit the stress on the power components.

Figure 1 shows the primary and secondary side soft-start sequence using the LM5027 into an electronic load. After  $V_{in}$  is applied the primary side soft-start ramps up. When the voltage on the LM5027 SS pin reached 1.0 V the output drives start and power is delivered to the secondary of the transformer. The power supply output rises and the secondary side soft-start circuit begins to ramp-up. The output of the DC-DC converter monotonically increased with no overshoot to 3.3 V out.

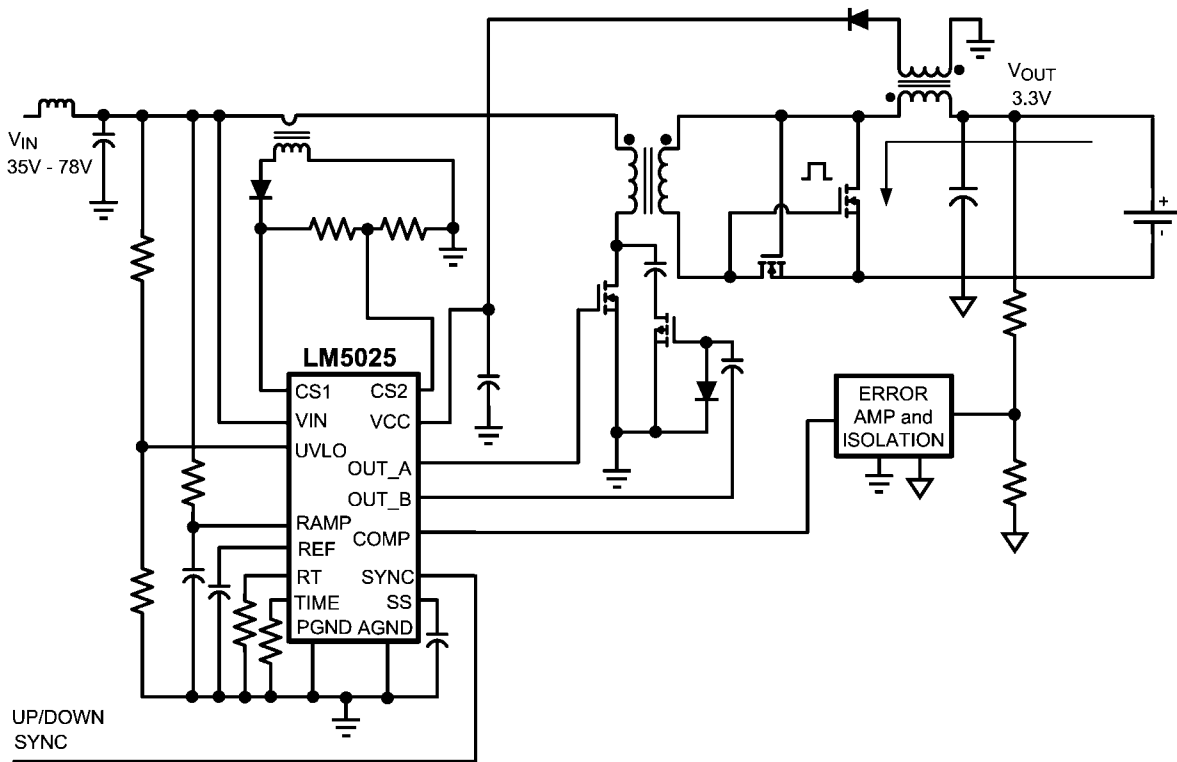


30098203

FIGURE 1. Soft-Start

## Pre-Bias Load Start-Up

Figure 2 below shows a typical Forward Converter topology with an active clamp using self-driven synchronous rectification. It's simple and very efficient; however there are some disadvantages when starting this topology into a pre-biased load. The first occurs because the synchronous rectification is on the secondary side of the transformer and without adding intelligence the output current will flow into the converter via the output choke and the free wheeling MOSFET when the converter starts-up or shut down with pre-bias voltage.



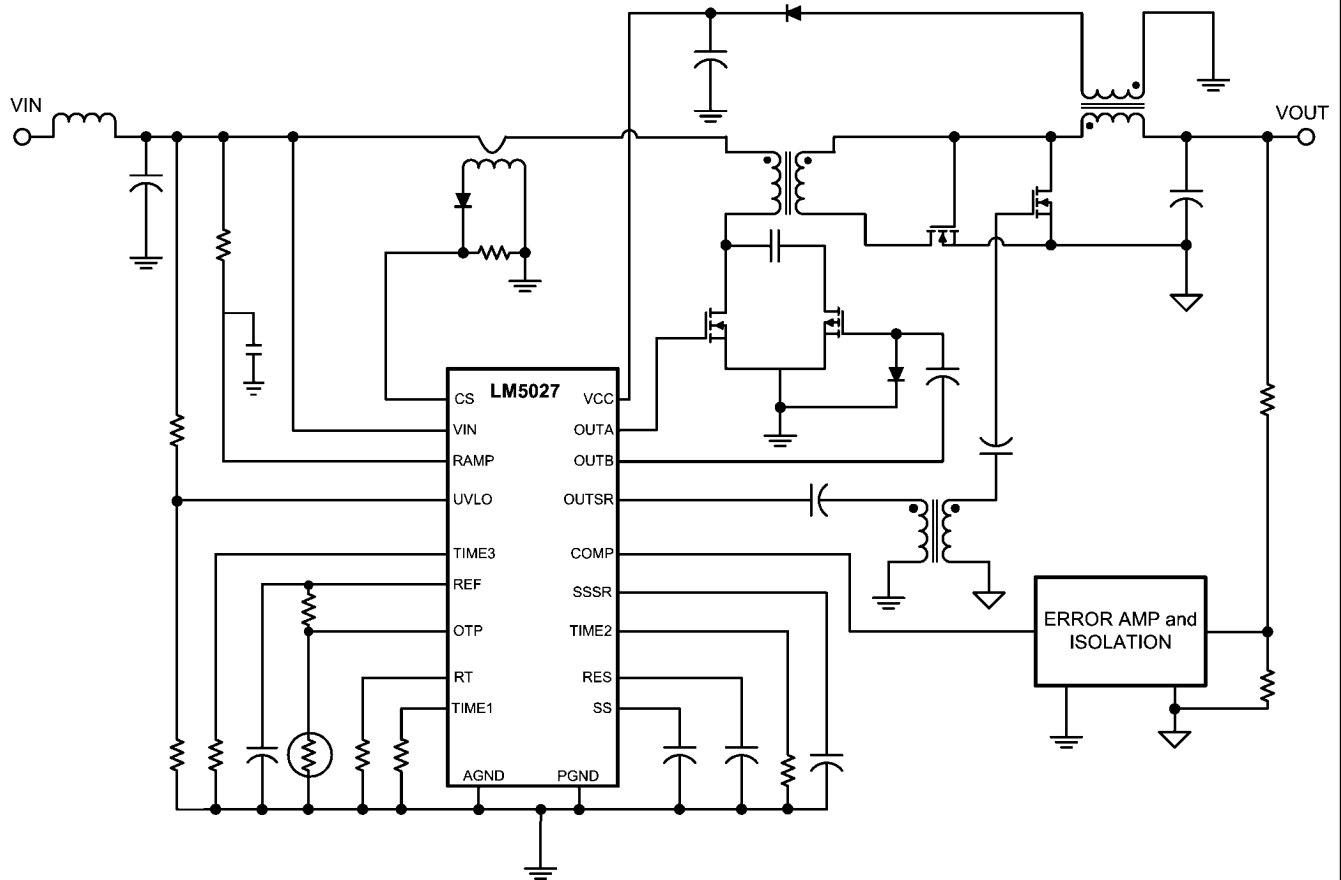
30098204

FIGURE 2. Typical Forward Converter

## OUTSR Drive

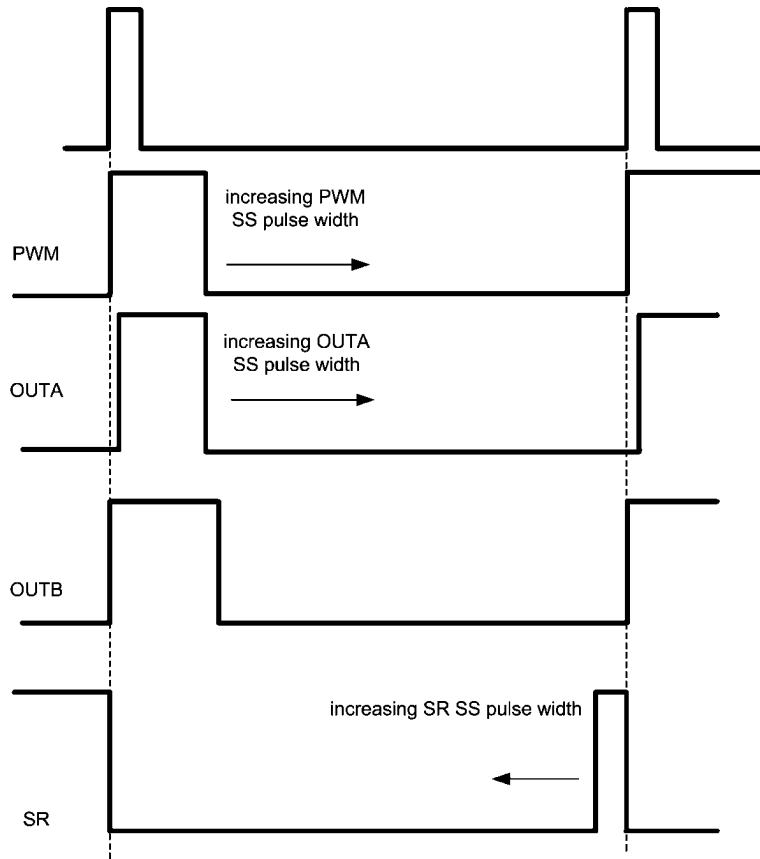
The LM5027 has a dedicated pin (OUTSR) to drive the synchronous rectifier free wheeling MOSFET through a drive transformer as shown in *Figure 3*. When the converter starts-up, the OUTSR drive is held low and the freewheeling MOSFET is turned-off. As a result, no output current will sink into the converter. The OUTSR is enabled after the primary side

soft-start reaches approximately 4.0V. The OUTSR delay was added to ensure that the power supply output voltage is up and in regulation prior to the freewheeling MOSFET being turned-on, refer to *Figure 4* and *Figure 5*. The OUTSR drive is soft-started; a capacitor on the SSSR pin is released and is charged with a 25  $\mu$ A current source, slowly increasing the duty cycle of the freewheeling FET's duty cycle.



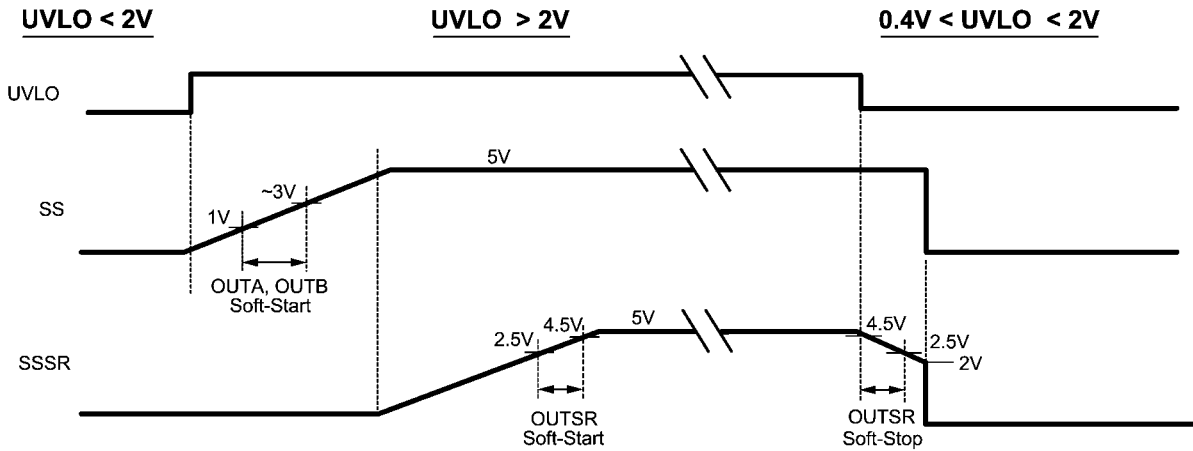
30098201

FIGURE 3. LM5027 Synchronous Rectifier Drive Output (OUTSR)



30098206

FIGURE 4. LM5027 Drive Timing



30098207

FIGURE 5. LM5027 Soft-Start Waveforms

## Secondary Side Soft-Start

In a typical DC-DC converter with a 3.3 V output the voltage reference for the error amplifier is 1.2V. Prior to the power supply being turned-on and if there is a pre-bias load, the secondary side soft-start capacitor (CSS) will be pre-charged to the voltage reference level of 1.2 V (if the pre-bias load > 1.2V), refer to *Figure 7*. On start-up the primary side soft-start begins and the output voltage rises from the pre-bias voltage level to 3.3 V, refer to *Figure 6*. At the end of the primary side soft-start period the controller will be at maximum duty cycle and the output voltage will overshoot until the feedback error amplifier has a chance to respond and reduce the output voltage to the regulation set point.

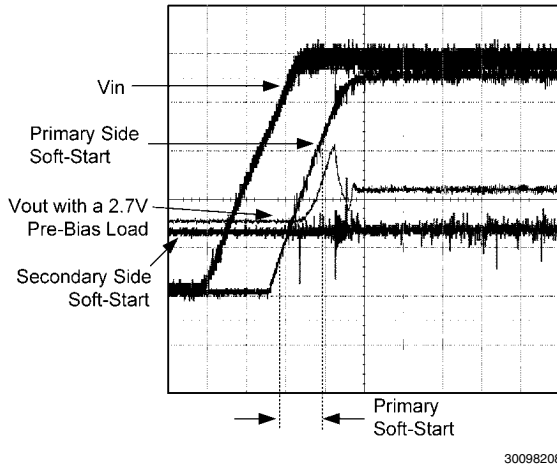


FIGURE 6. Pre-bias Secondary Side Soft-Start

## Secondary Side Soft-Start Reset

When input power is supplied to the LM5027 Evaluation Board the LM5027's internal VCC Regulator turns-on providing power to the VCC pin, the primary side soft-start voltage increases, and the output drives are enabled. When the drive outputs are enabled the voltage on the transformer secondary increases, the Secondary Bias rises supplying voltage to the reference and error amplifier, refer to *Figure 8*. During this time FET Q1 is turned-on holding the reference voltage at the positive input to the error amplifier low (zero volts). When the voltage on the secondary bias capacitor ( $C_{BIAS}$ ) rises above the Zener diode > 3.6 V, the Secondary Bias Power Good (the collector of Q2) goes high. This turns-off FET Q1 allowing the secondary soft-start capacitor to charge up. This solution of resetting the soft-start capacitor to zero (0 V) on start-up works for pre-bias loads as well as loads that do not need to start into a pre-biased condition. This allows for a monotonic start-up under both operating modes.

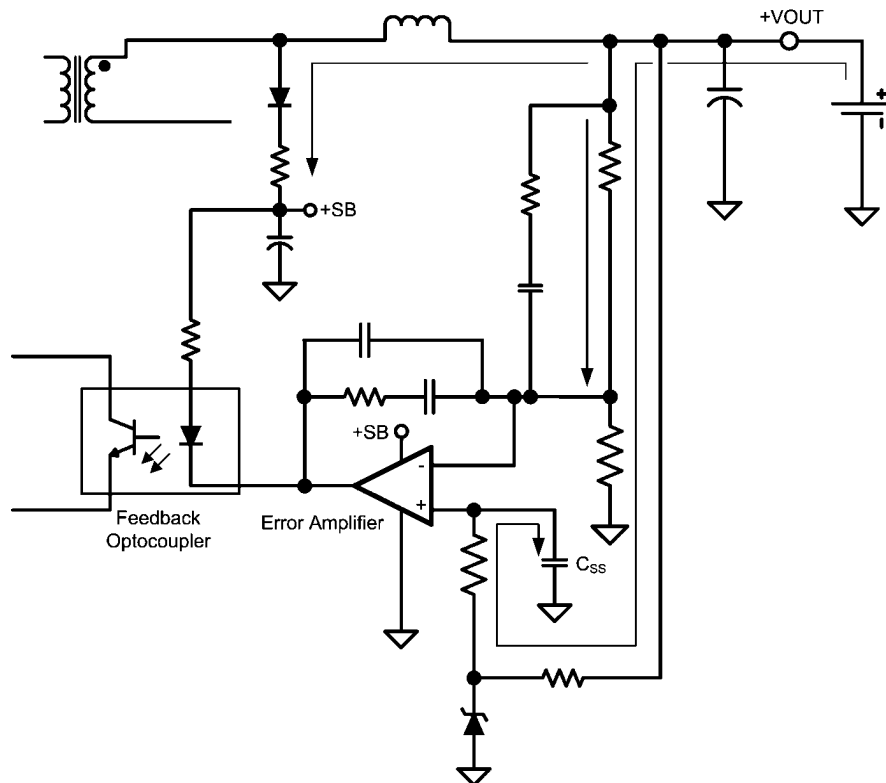
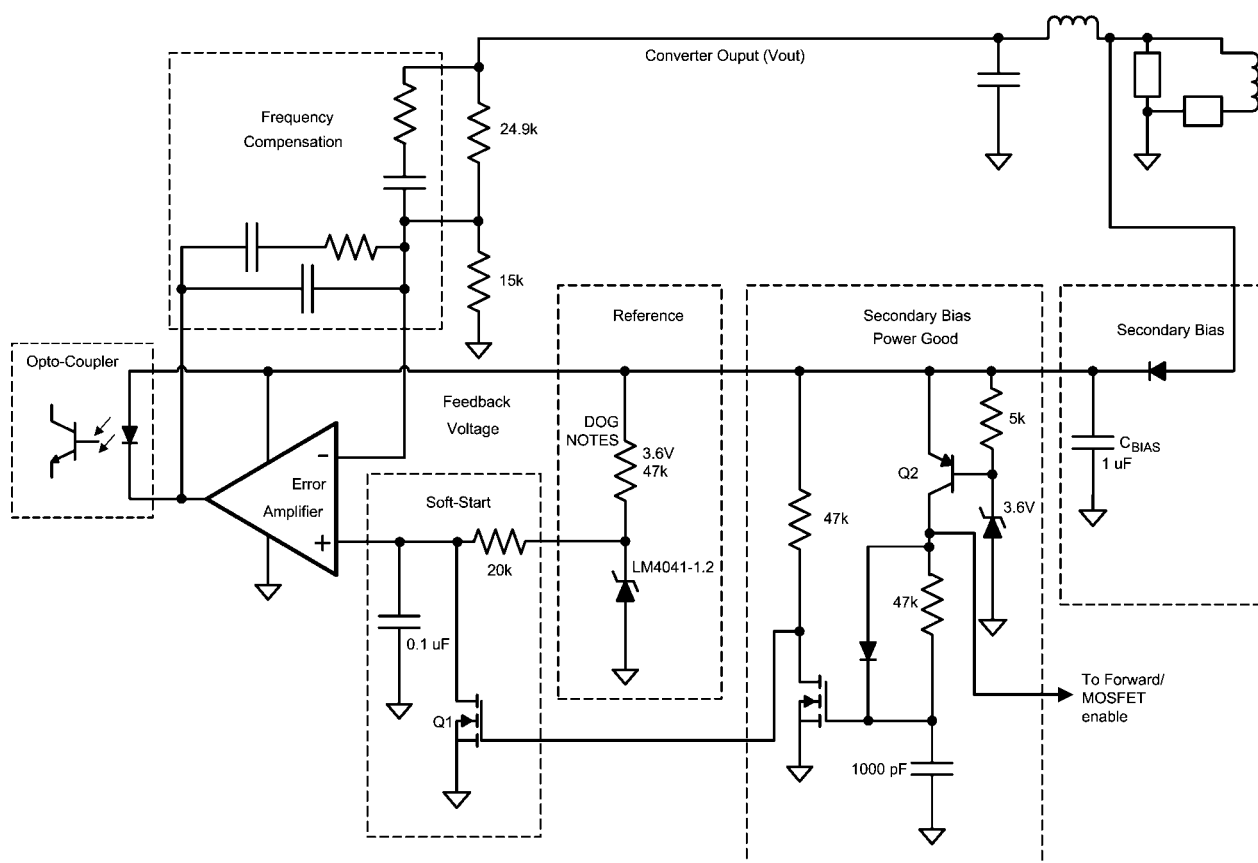


FIGURE 7. VREF with Pre-Bias Load





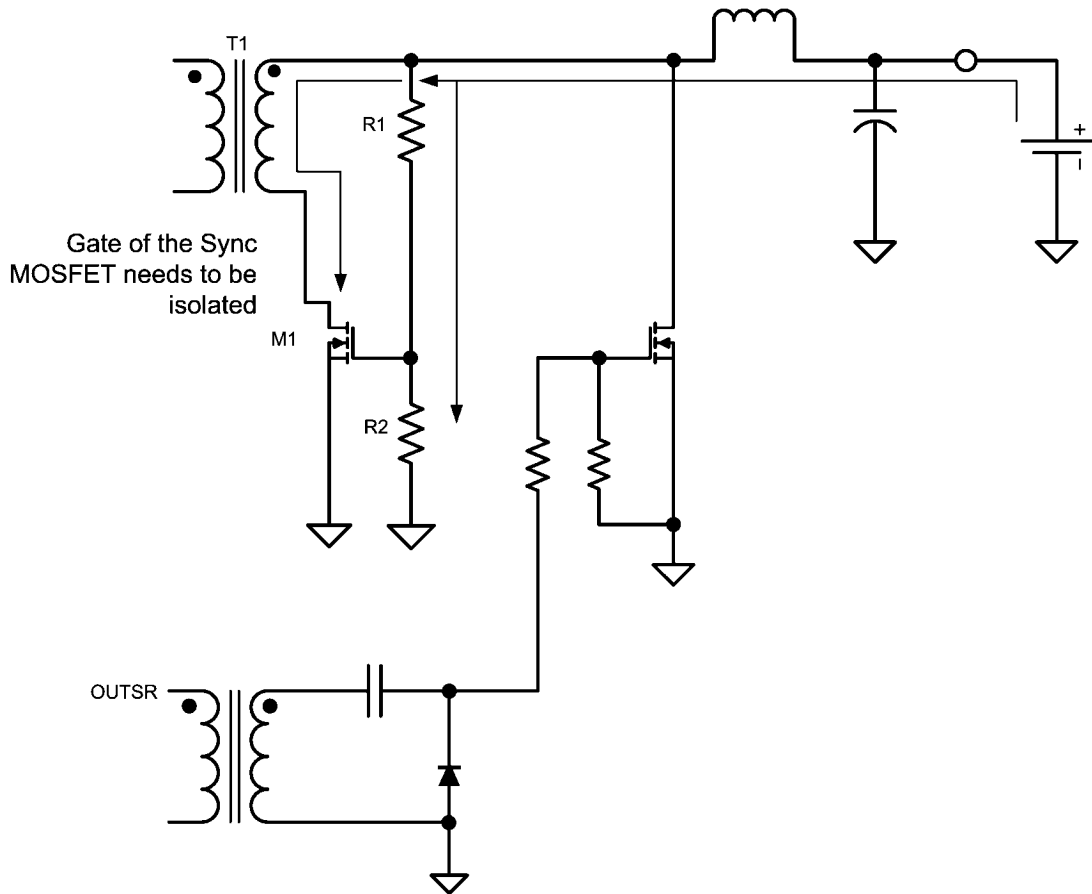
30098210

FIGURE 8. Pre-Bias Schematic

## Pre-Bias Load-Synchronous Forward MOSFET Enabled

The self driven synchronous rectification topology has an issues starting into a pre-bias load. When a pre-bias load is connected across the power supply output, refer to *Figure 9*,

the pre-bias source will conduct current through the output inductor and the self driven gate drive resistors R1 and R2. If the pre-bias voltage is greater than the  $V_{gs}$  of the synchronous MOSFET (M1), the MOSFET will be turned-on sinking current into the power supply.



30098211

FIGURE 9. Self Driven with Pre-Bias Load

## Synchronous Forward MOSFET Enabled

For the LM5027 Evaluation board we used the Secondary Bias Power Good signal as a flag to indicate that the primary sides MOSFETs are switching providing power to the secondary of the transformer T1. When the flag goes high this indicates that it is time to turn-on the forward conducting MOSFET M1. The Secondary Bias Power Good signal drives the base of an NPN transistor (Q3), refer to *Figure 10*. The NPN transistor is configured as a Cascode amplifier; when it is turned-on, the voltage on the secondary of the transformer T1 drives the gate of the synchronous MOSFET, M1. The MOSFET gate drive voltage is:

$$V\text{-GATE\_DRIVE\_M1} = V\text{-Secondary\_Bias\_Power\_Good} - V_{BE\_Q3}$$

An NPN transistor needs to be selected so that the transistors collector to emitter voltage under the worst case operating condition does not exceed its VCE ratings, and that the collector current (Icc) can handle the maximum peak current to drive the gate of MOSFET M1. For the LM5027 Evaluation board the transistor is a 30 V, 1.5 ampere transistor. The maximum VCE is:

$$VCE = \frac{V_{in\_max}}{n} = \frac{100}{6} = 16.67 \text{ Vpk}$$

Where:

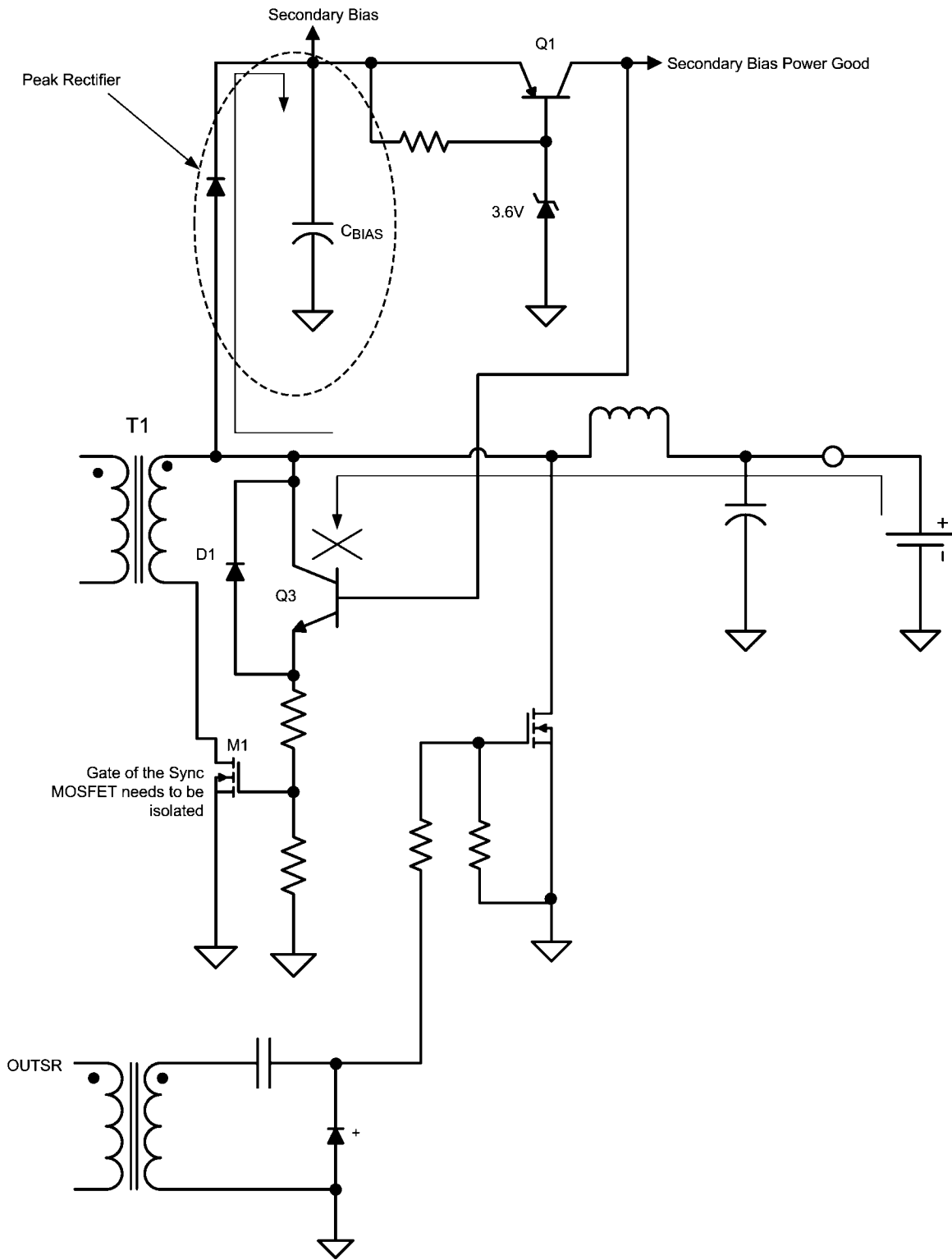
$V_{in} = 100 \text{ V}$  under transient conditions

$n$  is the transformer turns ratio = 6

A diode D1 is connected from the collector to the emitter of Q3 to handle any voltage spikes as a result of circuit inductance. Without this diode inductive voltage spike may damage the Cascode amplifier Q3.

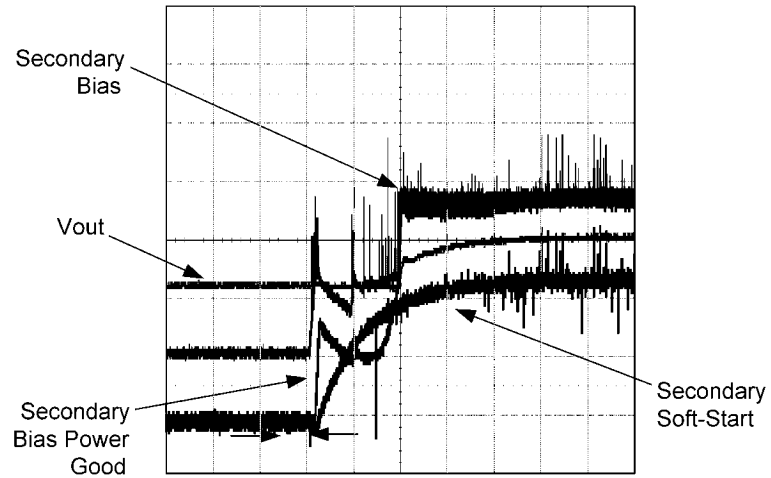
An NPN transistor was used instead of an N-Channel MOSFET because the  $V_{gs}$  drop, typically 4 to 5 volts; this would reduce the gates drive voltage to M1. Under minimum input line conditions M1 may not be fully turned-on and there would be an increase in the  $I^2 \times R_{DS(ON)}$  losses.

*Figure 11* shows the start-up waveforms for the Evaluation board. After the input power is supplied to the Evaluation board the secondary bias voltage rises, when the secondary bias is greater than 3.6 V, the Secondary Power Good output goes high. This turns-on M1 and enables the secondary side soft-start circuit allowing the output voltage to increase after  $V_{out} > V_{pre-bias}$ .



30098213

FIGURE 10. Isolated Synchronous MOSFET

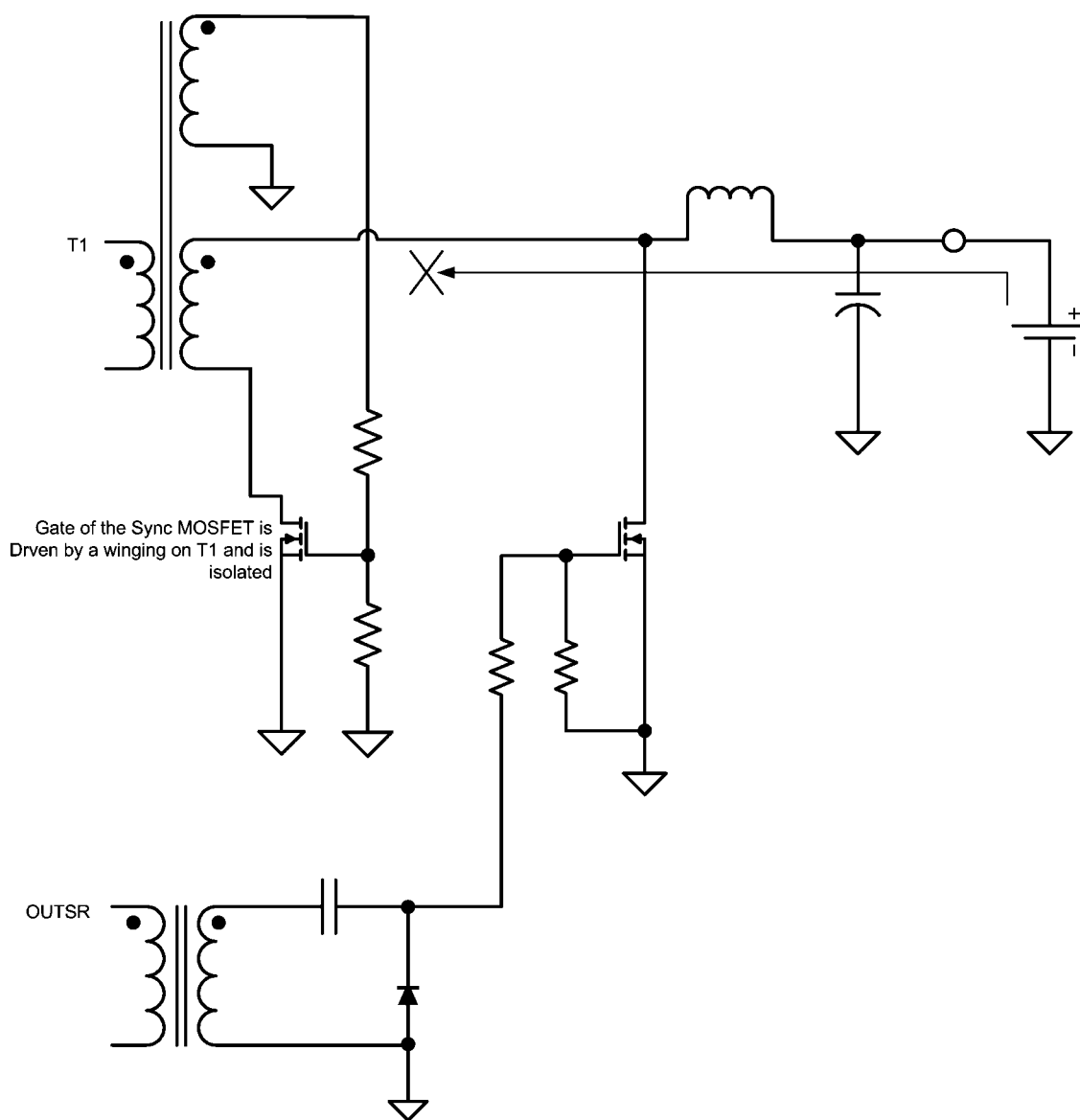


30098214

**FIGURE 11. Pre-Bias Load Waveforms**

An alternative to using the circuit in *Figure 10* is shown in *Figure 12*; an additional winding can be added to the power transformer which can be used to drive the Forward Syn-

chronous Rectifier MOSFET (M1). This is a simple solution and should not add a lot of complexity to the transformer design.



30098215

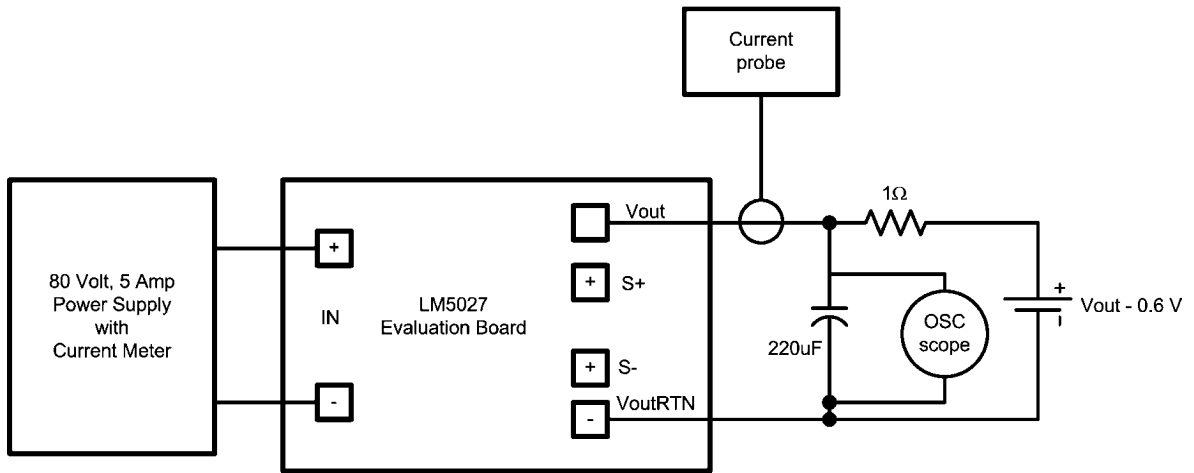
FIGURE 12. Isolated Synchronous MOSFET Drive Using a Transformer

### Pre-Bias Load Test Set-Up

For the Pre-bias start-up test, the circuit in *Figure 13* was used. An external bias supply, through a 1.0 ohm resistor, was connected across the output terminals of the Evaluation Board.

### Pre-Bias Load Start-Up Requirements

The Evaluation board Pre-Bias start-up requirements are:  
During converter start-up the output shall rise monotonically and not sink current (into the converter) of more than 50 mA .



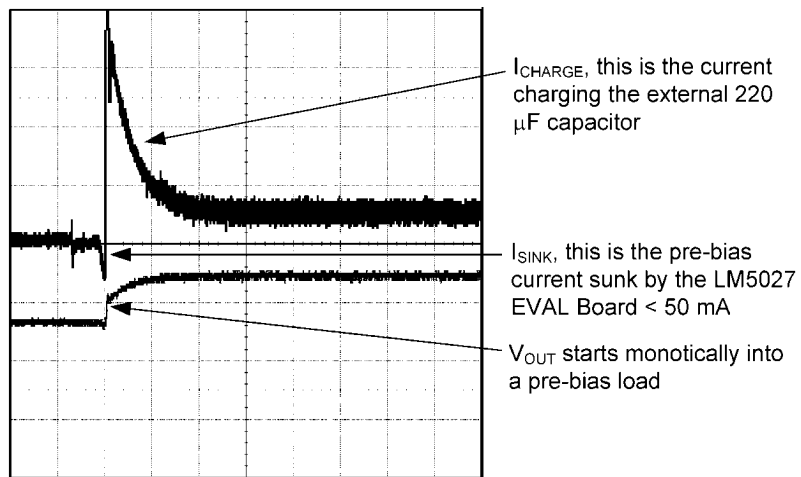
30098216

**FIGURE 13. Isolated Synchronous MOSFET Drive Using a Transformer**

### Evaluation Board Results

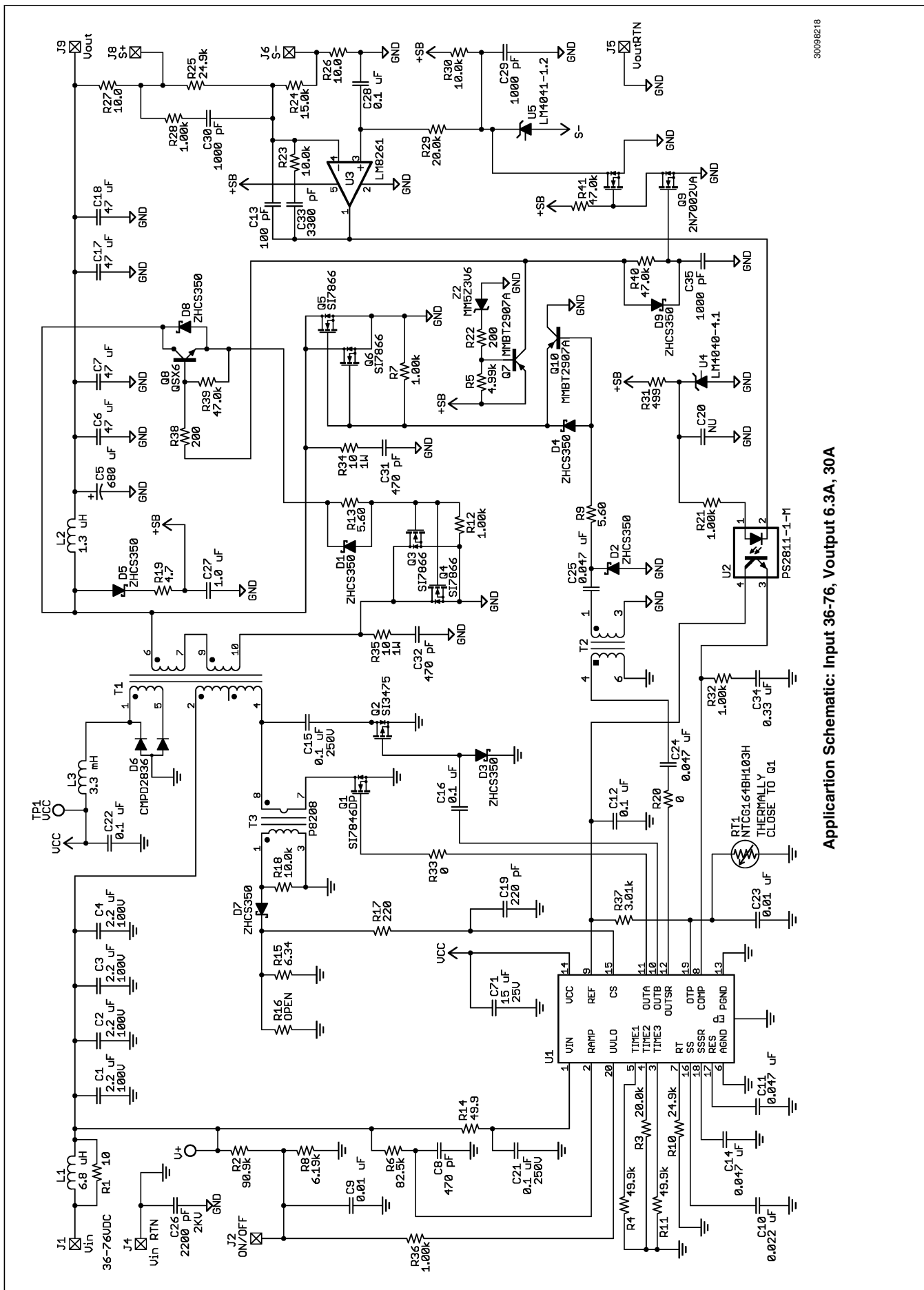
Figure 14 shows the output of the Evaluation Board starting with a pre-bias voltage of 2.7 V. Under these conditions the output voltage starts at 2.7 V and then increases monotonically to 3.3 V. The current into the Evaluation board (sinking)

is less than 50 mA. When the output voltage rise above the pre-bias voltage there is approximately 400 mA of current out of (sourced) the Evaluation Board to charge the external 220 μF capacitor. After the external capacitor is charge to 3.3 V the current out of the power supply drop to approximately 50 mA.



30098217

**FIGURE 14. Pre-Bias StartUp**



30009218

Application Schematic: Input 36-76V, Voutput 6.3A, 30A

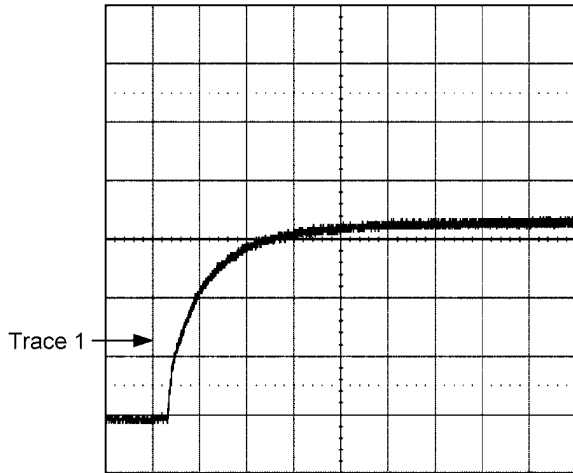
## Performance Characteristics

### TURN-ON WAVEFORMS

When applying power to the LM5027 evaluation board a certain sequence of events occurs. Soft-start capacitor values and other components allow for a minimal output voltage for a short time until the feedback loop can stabilize without overshoot. *Figure 15* shows the output voltage during a typical start-up with a 48V input and a load of 5A. There is no overshoot during startup.

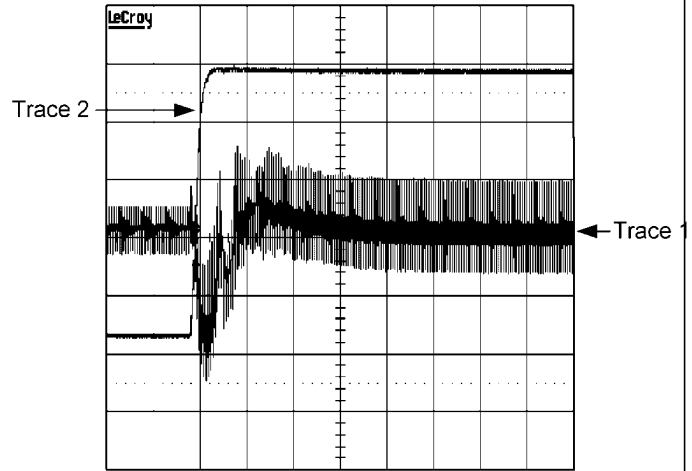
### OUTPUT RIPPLE WAVEFORMS

*Figure 16* shows the transient response for a load of change from 2A to 25A. The lower trace shows minimal output voltage droop and overshoot during the sudden change in output current shown by the upper trace.



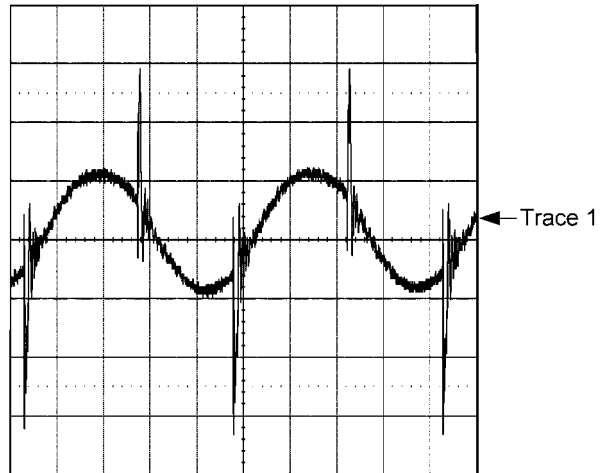
**Conditions:**  
 Input Voltage = 48VDC  
 Output Current = 5A  
**Trace 1:**  
 Output Voltage  
 Volts/div = 1.0V  
**Horizontal Resolution = 1 ms/div**

**FIGURE 15.**



**Conditions:**  
 Input Voltage = 48VDC  
 Output Current = 2A to 25A  
**Trace1:**  
 Output Voltage  
 Volts/div = 0.2V  
**Trace 2:**  
 Output Current  
 Amps/Div = 5.0 A  
**Horizontal Resolution = 1 ms/div**

**FIGURE 16.**



**Conditions:**  
 Input Voltage = 48VDC  
 Output Current = 30A  
 Bandwidth Limit = 25 MHz  
**Trace 1:**  
 Output Voltage  
 Volts/div = 50 mV  
**Horizontal Resolution = 2 μs/div**

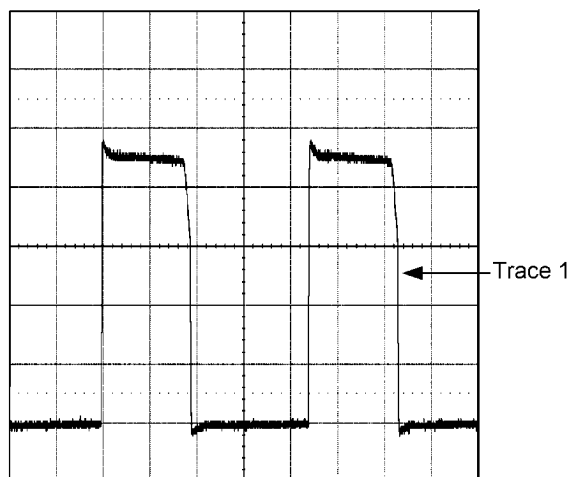
**FIGURE 17.**

*Figure 17* shows typical output ripple seen directly across the output capacitor, for an input voltage of 48V and a load of 30A. This waveform is typical of most loads and input voltages.



Figure 18 and Figure 19 show the drain voltage of Q1 with a 25A load. Figure 18 represents an input voltage of 38V and Figure 19 represents an input voltage of 78V.

Figure 20 shows the gate voltages of the synchronous rectifiers. The drive from the main power transformer is delayed slightly at turn-on by a resistor interacting with the gate capacitance. This provides improved switching transitions for optimum efficiency. The difference in drive voltage is inherent in the topology and varies with line voltage



30098222

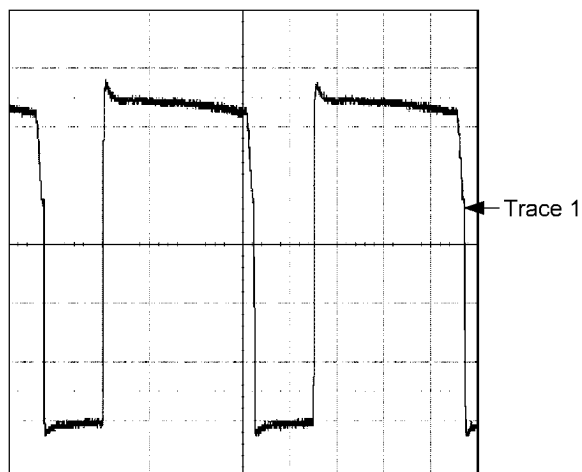
**Conditions:**

Input Voltage = 38VDC

Output Current = 25A

Trace 1: Q1 Drain Voltage

Volts/Div = 20V

**Horizontal Resolution = 1  $\mu$ s/div****FIGURE 18.**

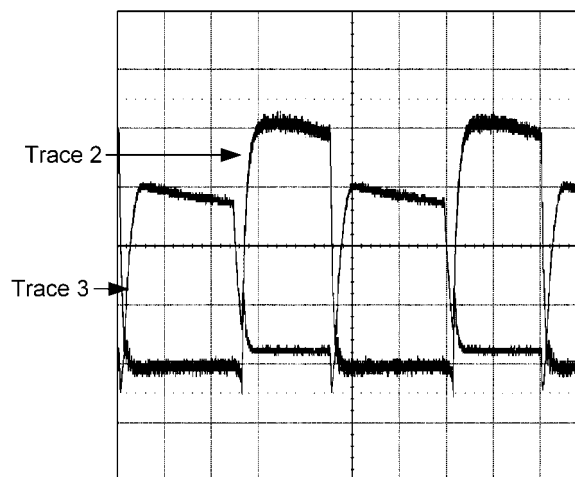
30098223

**Conditions:**

Input Voltage = 78VDC

Trace 1: Q1 Drain Voltage

Volts/Div = 20V

**Horizontal Resolution = 1  $\mu$ s/div****FIGURE 19.**

30098224

**Conditions:**

Input Voltage = 48VDC

Output Current = 5A

Trace 3: (gate)

Synchronous Rectifier, Q3/Q4

Volts/Div = 2V

Trace 2: (gate)

Synchronous Rectifier, Q5/Q6

Volts/Div = 2V

**Horizontal Resolution = 1  $\mu$ s/div****FIGURE 20.**

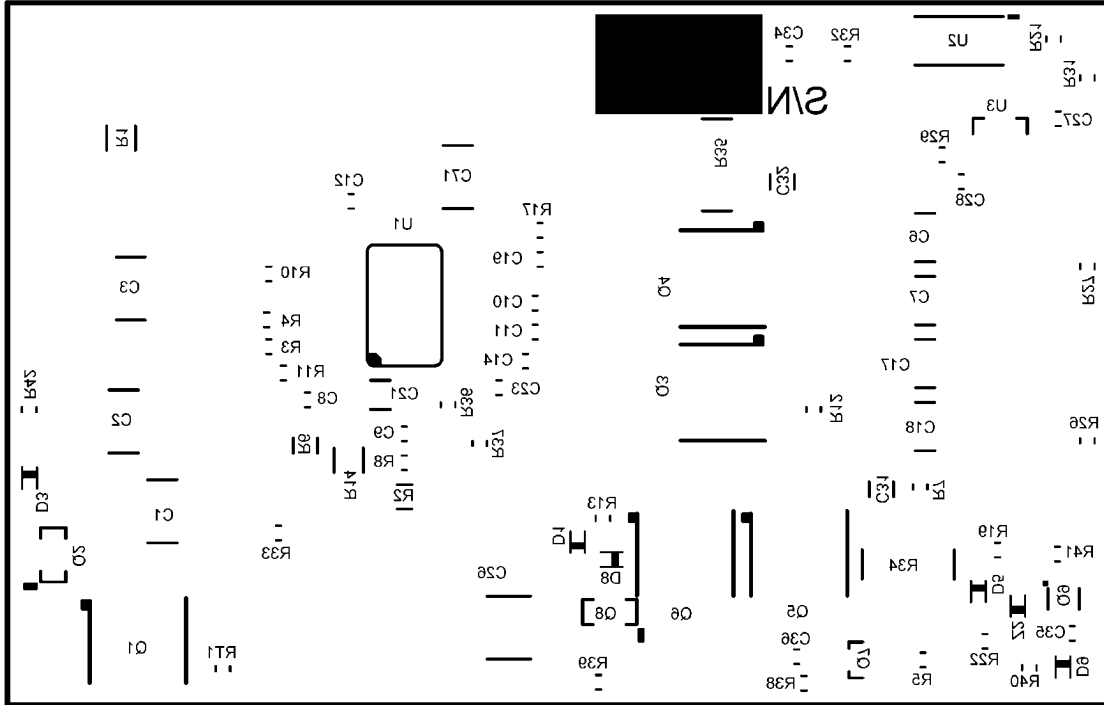
## Bill of Materials

Item	Part Number	Description	Value	
C	1	C4532X7R2A225M	CAPACITOR, CER, TDK	2.2μ, 100V
C	2	C4532X7R2A225M	CAPACITOR, CER, TDK	2.2μ, 100V
C	3	C4532X7R2A225M	CAPACITOR, CER, TDK	2.2μ, 100V
C	4	C4532X7R2A225M	CAPACITOR, CER, TDK	2.2v, 100V
C	5	APXE4R0ARA681MH80G	CAPACITOR, CER, United Chemi-Con	680μ, 4V
C	6	C1210C476M8PACTU	CAPACITOR,CER,KEMET	47μ, 10V
C	7	C1210C476M8PACTU	CAPACITOR,CER,KEMET	47μ, 10V
C	8	C0603C471J5GAC	CAPACITOR, CER, KEMET	470p, 50V
C	9	C0603C103K3RAC	CAPACITOR, CER, KEMET	0.01μ, 25V
C	10	C0603C223K3RAC	CAPACITOR, CER, KEMET	0.022μ, 25V
C	11	C0603C473K3RAC	CAPACITOR, CER, KEMET	0.047μ, 25V
C	12	C1608X7R1H104K	CAPACITOR, CER, TDK	0.1μ, 50V
C	13	C0603C101J5GAC	CAPACITOR, CER, KEMET	100p, 50V
C	14	C0603C104K3RAC	CAPACITOR, CER, KEMET	0.1μ, 25V
C	15	C3216X7R2E104K	CAPACITOR, CER, TDK	0.1μ, 250V
C	16	C1608X7R1H104K	CAPACITOR, CER, TDK	0.1μ, 50V
C	17	C1210C476M8PACTU	CAPACITOR, CER, TDK	47μ, 10V
C	18	C1210C476M8PACTU	CAPACITOR, CER, TDK	47μ, 10V
C	19	C0603C221J3GAC	CAPACITOR, CER, KEMET	220p, 25V
C	20	OPEN		
C	21	C3216X7R2E104K	CAPACITOR, CER, TDK	0.1μ, 250V
C	22	C1608X7R1H104K	CAPACITOR, CER, KEMET	0.1μ, 25V
C	23	C0603C103K3RAC	CAPACITOR, CER, KEMET	0.01μ, 25V
C	24	C0603C473K3RAC	CAPACITOR, CER, KEMET	0.047μ, 25V
C	25	C0603C473K3RAC	CAPACITOR, CER, KEMET	0.047μ, 25V
C	26	C4532X7R3D222K	CAPACITOR, CER, TDK	2200p, 2000V
C	27	GRM188R61E105KA12D	CAPACITOR, CER, MURATA	1.0μ, 25V
C	28	C0603C224K3RAC	CAPACITOR, CER, TDK	0.22μ, 25V
C	29	C0603C102K3RAC	CAPACITOR, CER, KEMET	1000p, 25V
C	30	C0603C102K3RAC	CAPACITOR, CER, KEMET	1000p, 25V
C	31	C0805C471J5GAC	CAPACITOR, CER, KEMET	470p, 50V
C	32	C0805C471F5GAC	CAPACITOR, CER, KEMET	470p, 50V
C	33	C2012X7R2A332K	CAPACITOR, CER, TDK	3300p, 100V
C	34	OPEN		
C	71	C4532X7R1E156M	CAPACITOR, CER, TDK	15μ, 25V
C	35	C0603C102K3RAC	CAPACITOR, CER, KEMET	1000p, 25V
C	36	GRM188R61E105KA12D	CAPACITOR, CER, MURATA	1.0u, 25V
D	1	ZHCS350	DIODE, SIGNAL, ZETEX	40V, 500mA
D	2	ZHCS350	DIODE, SIGNAL, ZETEX	40V, 500mA
D	3	ZHCS350	DIODE, SIGNAL, ZETEX	40V, 500mA
D	4	ZHCS350	DIODE, SIGNAL, ZETEX	40V, 500mA
D	5	ZHCS350	DIODE, SIGNAL, ZETEX	40V, 500mA
D	6	CMD2836	DIODE, DUAL SIGNAL, CENTRAL	120V, 200mA
D	7	ZHCS350	DIODE, SIGNAL, ZETEX	40V, 500mA
D	8	ZHCS350	DIODE, SIGNAL, ZETEX	40V, 500mA
D	9	ZHCS350	DIODE, SIGNAL, ZETEX	40V, 500mA
J	1	3104-2-00-01-00-00-08-0	PIN, BRICK, 0.040D, MILL-MAX	MOUNT ON SOLDER SIDE OF PCB

Item	Part Number	Description	Value	
J	2	3104-2-00-01-00-00-08-0	PIN, BRICK, 0.040D, MILL-MAX	MOUNT ON SOLDER SIDE OF PCB
J	4	3104-2-00-01-00-00-08-0	PIN, BRICK, 0.040D, MILL-MAX	MOUNT ON SOLDER SIDE OF PCB
J	5	3231-2-00-01-00-00-08-0	PIN, BRICK, 0.080D, MILL-MAX	MOUNT ON SOLDER SIDE OF PCB
J	6	3104-2-00-01-00-00-08-0	PIN, BRICK, 0.040D, MILL-MAX	MOUNT ON SOLDER SIDE OF PCB
J	8	3104-2-00-01-00-00-08-0	PIN, BRICK, 0.040D, MILL-MAX	MOUNT ON SOLDER SIDE OF PCB
J	9	3231-2-00-01-00-00-08-0	PIN, BRICK, 0.080D, MILL-MAX	MOUNT ON SOLDER SIDE OF PCB
L	1	SRU1048-6R8Y	INPUT CHOKE, Bourns	6.8uH, 4.8Arms
L	2	7443556130	CHOKE, WURTH	1.2uH, 37A
L	3	SDR0503-332JL	CHOKE, Bourns	3.3mH, 0.045 A
Q	1	SI7846DP	N-FET, SILICONIX	150V, 50m
Q	2	SI3475	P-FET, IR	200V, 1.6
Q	3	SI7866DP	FET, SILICONIX	20V, 3m
Q	4	SI7866DP	FET, SILICONIX	20V, 3m
Q	5	SI7866DP	FET, SILICONIX	20V, 3m
Q	6	SI7866DP	FET, SILICONIX	20V, 3m
Q	7	MMBT2907A	Bipolar, PNP, 60V, 600mA	
Q	8	QSX6	Bipolar, NPN, 30V, 1.5A	ROHM
Q	9	2N7002VA	FET, N_Channel, Fairchild	60V 280mA
Q	10	MMBT2907A	Bipolar, PNP, 60V, 600mA	
R	1	CRCW120610R0F	RESISTOR	10
R	2	CRCW08059093F	RESISTOR	90.9k
R	3	CRCW06032002F	RESISTOR	20k
R	4	CRCW06034992F	RESISTOR	49.9k
R	5	CRCW06034991F	RESISTOR	4.99k
R	6	CRCW08059093F	RESISTOR	90.9K
R	7	CRCW06031001F	RESISTOR	1K
R	8	CRCW06036191F	RESISTOR	6.19K
R	9	CRCW06035R60F	RESISTOR	5.6
R	10	CRCW06032492F	RESISTOR	24.9K
R	11	CRCW06034992F	RESISTOR	49.9K
R	12	CRCW06031001F	RESISTOR	1K
R	13	CRCW06035R60F	RESISTOR	5.6
R	14	CRCW120649R9F	RESISTOR	49.9
R	15	CRCW06036R34F	RESISTOR	6.34
R	16	OPEN		
R	17	CRCW06032200F	RESISTOR	220
R	18	CRCW06031002F	RESISTOR	10k
R	19	CRCW06034R70F	RESISTOR	4.7
R	20	SHORT (0 Ohms)	RESISTOR, 0 OHMS	0 ohms
R	21	CRCW06031001F	RESISTOR	1K
R	22	CRCW06032000F	RESISTOR	200
R	23	CRCW06031002F	RESISTOR	10k
R	24	CRCW06031502F	RESISTOR	15k
R	25	CRCW06032492F	RESISTOR	24.9k
R	26	CRCW060310R0F	RESISTOR	10

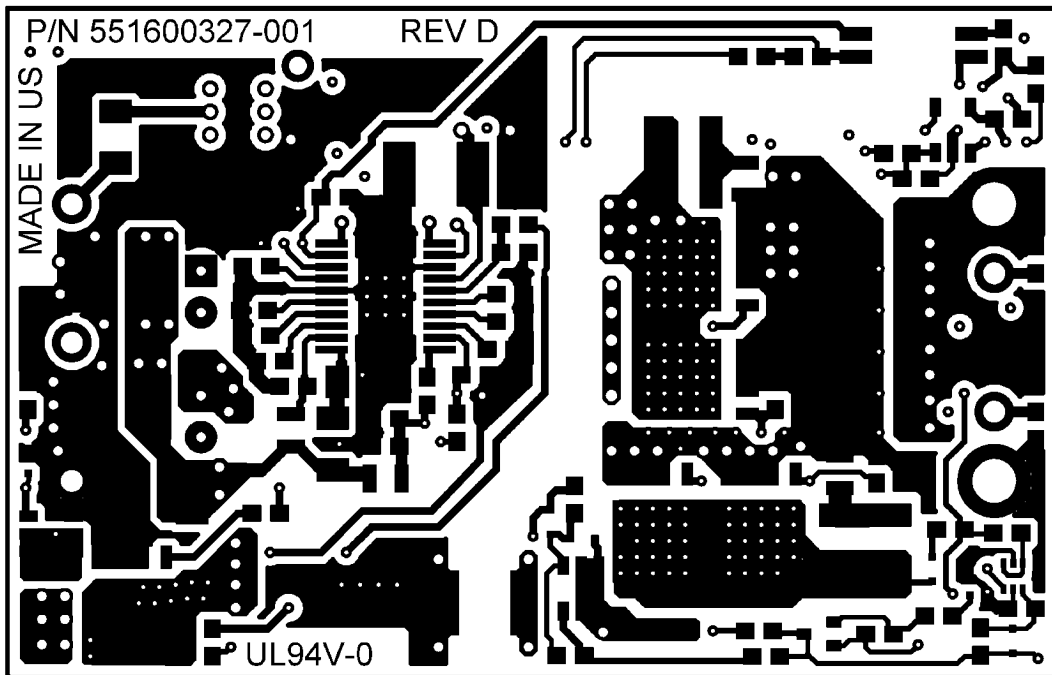
Item		Part Number	Description	Value
R	27	CRCW060310R0F	RESISTOR	10
R	28	CRCW06031001F	RESISTOR	1k
R	29	CRCW06032002F	RESISTOR	20.0k
R	30	CRCW06031002F	RESISTOR	10.0k
R	31	CRCW06034990F	RESISTOR	499
R	32	OPEN		
R	33	SHORT (0 Ohms)	RESISTOR, 0 OHMS	0 ohms
R	34	CRCW1218100JT	RESISTOR	10, 1W
R	35	CRCW1218100JT	RESISTOR	10, 1W
R	36	CRCW06031001F	RESISTOR	1k
R	37	CRCW06033011F	RESISTOR	3.01k
R	38	CRCW06034990F	RESISTOR	499
R	39	CRCW06034702F	RESISTOR	47k
R	40	CRCW06034702F	RESISTOR	47k
R	41	CRCW06034702F	RESISTOR	47k
R	42	CRCW06031002F	RESISTOR	10k
R	T1	NTCG164BH103H	NTC, 10k @25°C, 1k@100°C, TDK	10k
T	1	HA4000-AI	POWER XFMR W/AUX, COILCRAFT	12:2
T	2	DA2319-ALB	Gate Drive, Coilcraft	
T	3	P8208T, Pulse	CURRENT XFR, PULSE ENG	100:1
U	1	LM5027MH	CONTROLLER, NATIONAL SEMI	
U	2	PS2811-1M	OPTO-COUPLER, NEC	
U	3	LM8261M5	OPAMP, NATIONAL SEMI	
U	4	LM4040CEM3-4.1	REFERENCE, NATIONAL SEMI	
U	5	LM4041CEM3-1.2	REFERENCE, NATIONAL SEMI	
Z	2	MM5Z3V6	DIODE, ZENER 3.6V	Fairchild

# Printed Circuit Layout



Bassy

30098226



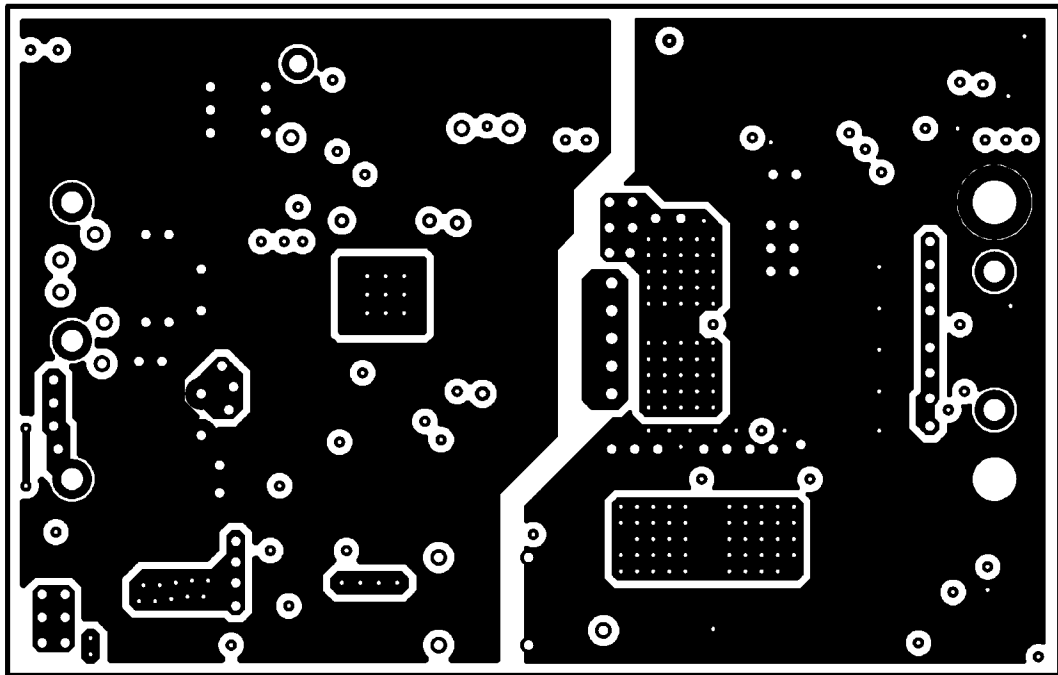
Bottom Layer

30098227



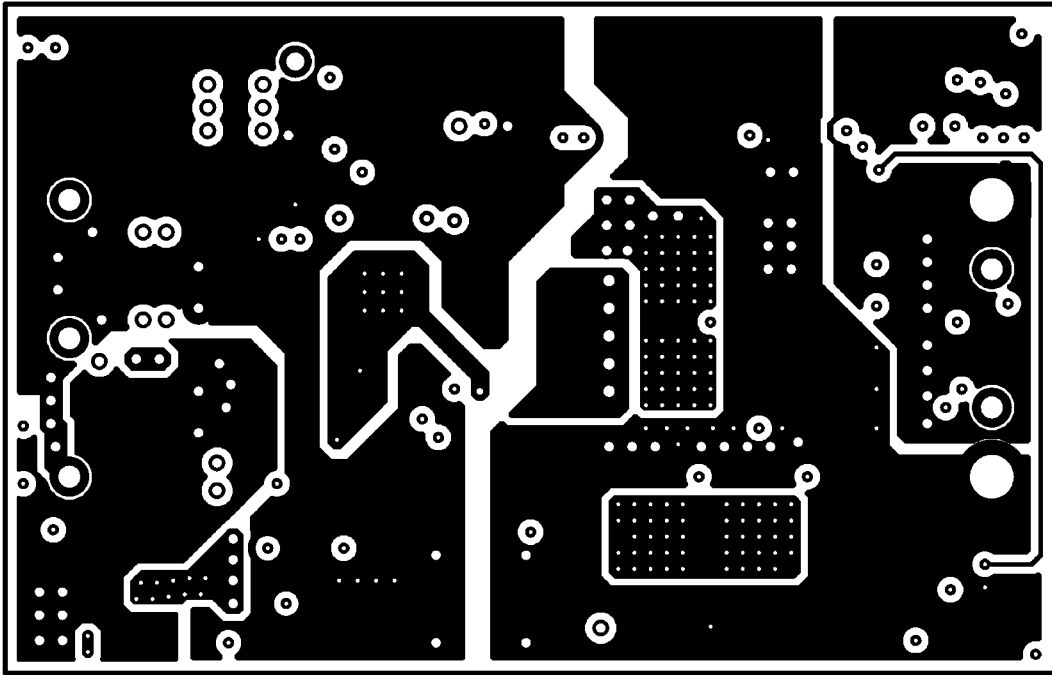
Bottom Silk Layer

30098228



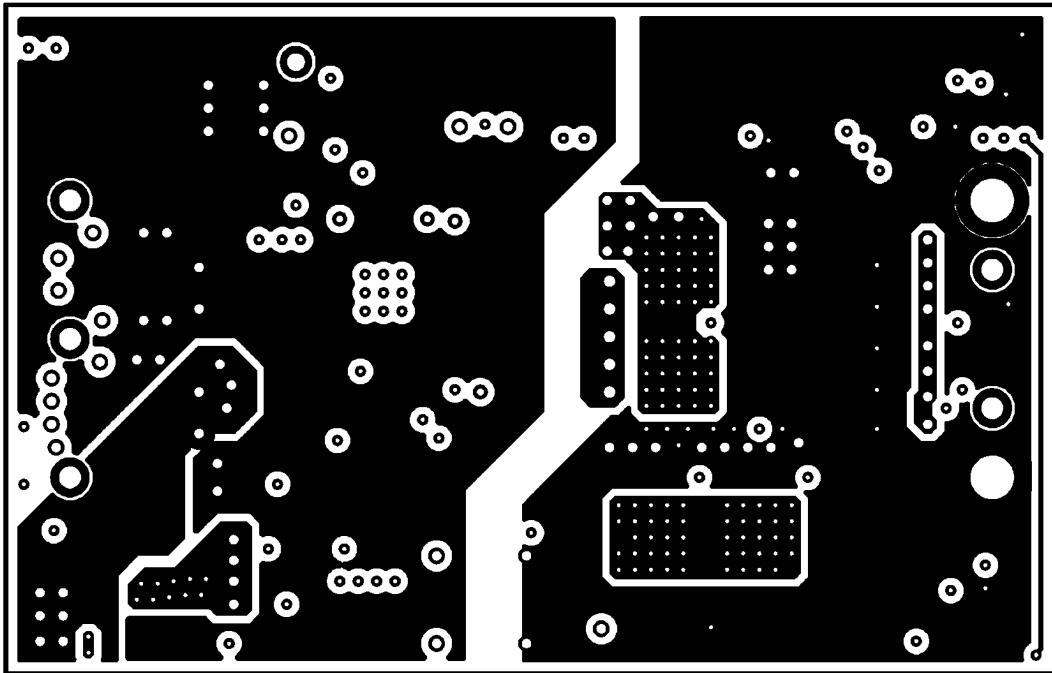
Mid 1 Layer

30098229



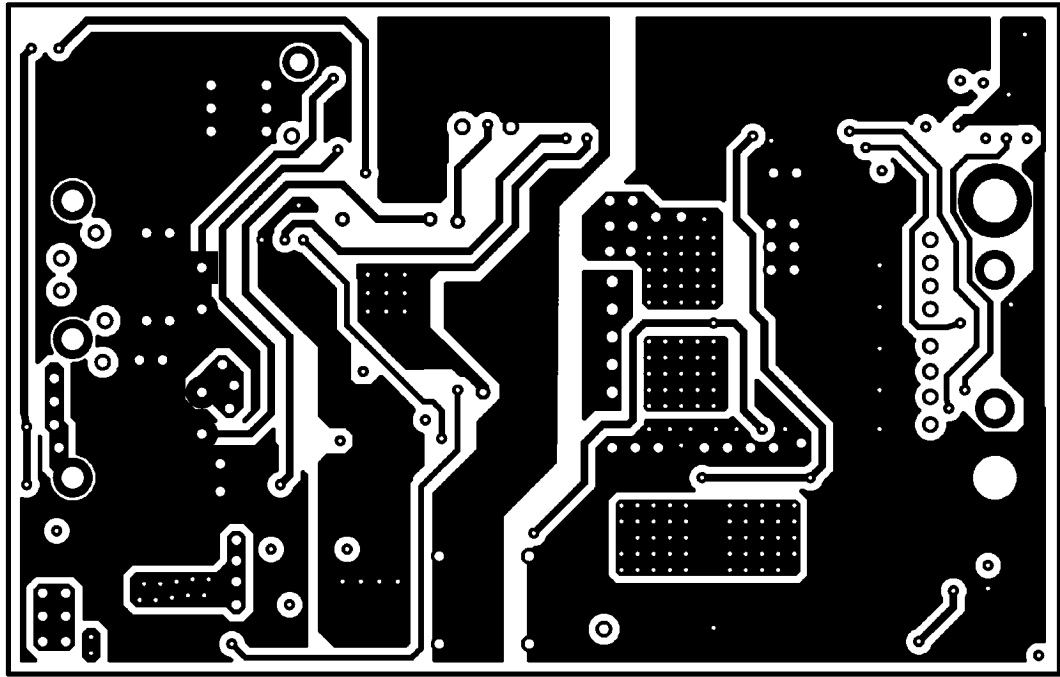
Mid 2 Layer

30098230



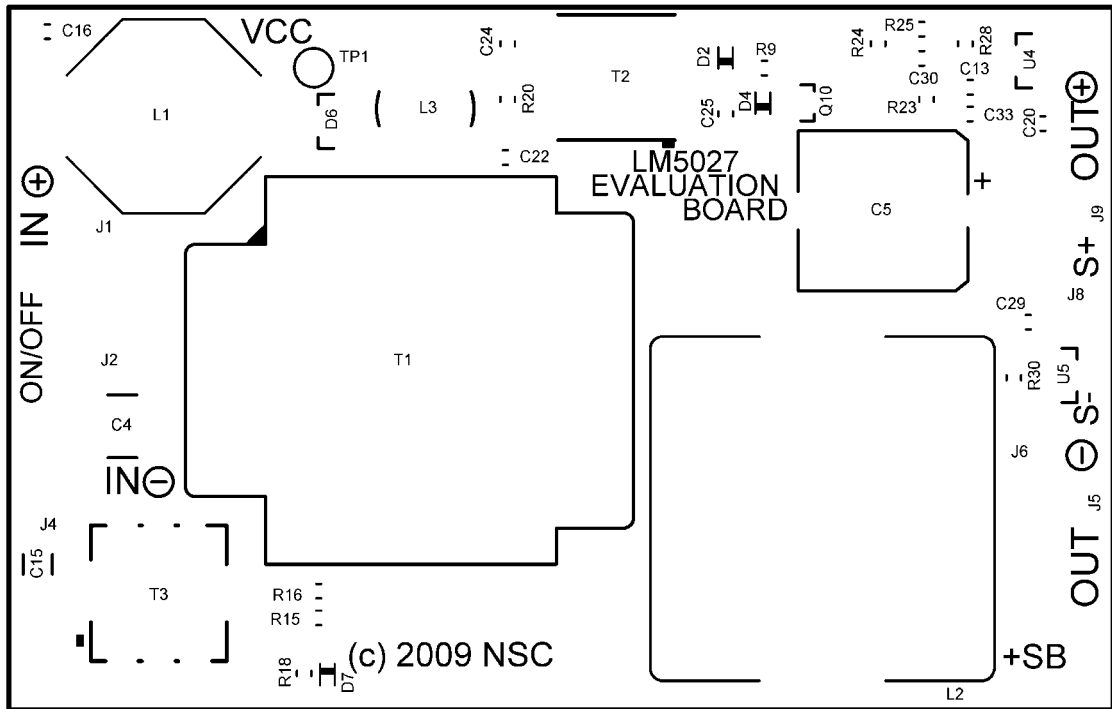
Mid 3 Layer

30098231



Mid 4 Layer

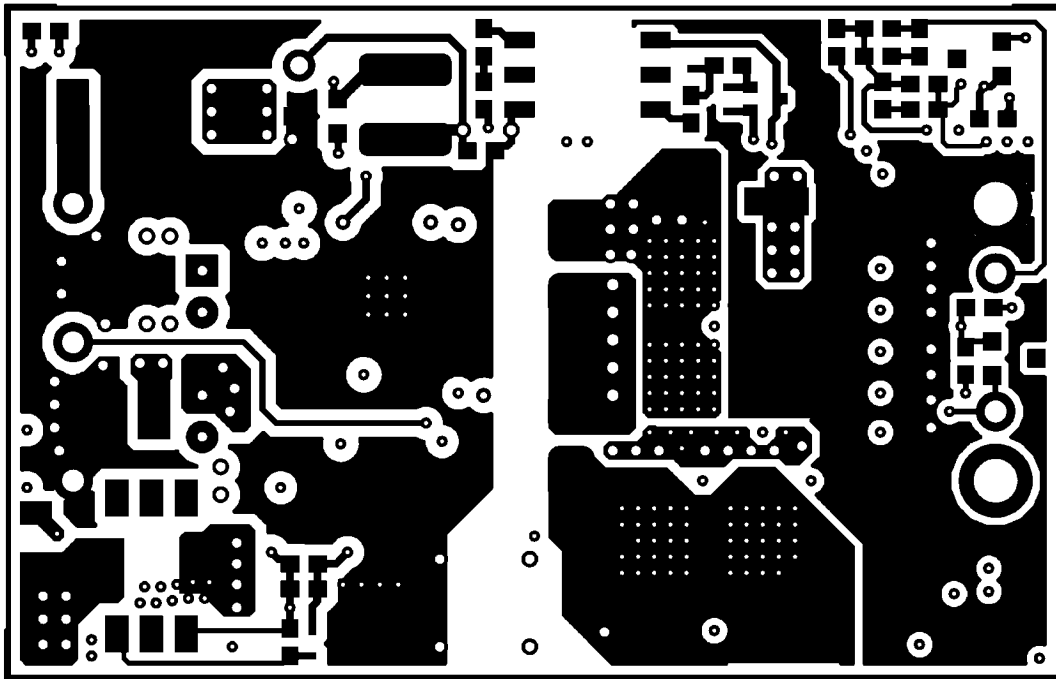
30098232



TASSY

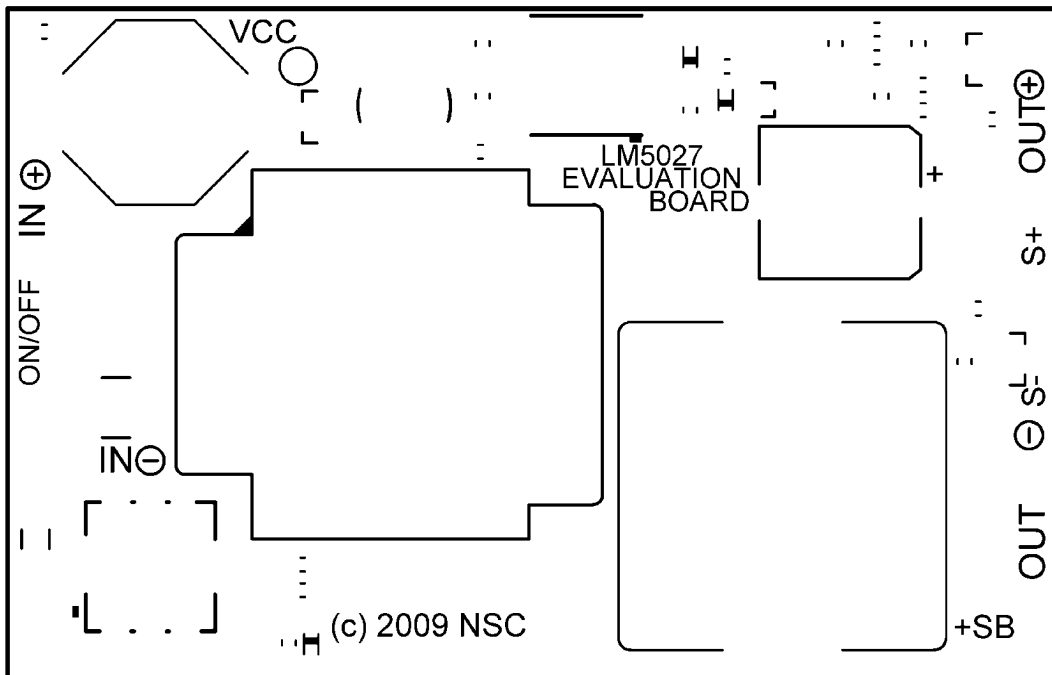
30098233





Top Layer

30098234



Top Silk Layer

30098235

## Notes

For more National Semiconductor product information and proven design tools, visit the following Web sites at:

Products		Design Support	
Amplifiers	<a href="http://www.national.com/amplifiers">www.national.com/amplifiers</a>	WEBENCH® Tools	<a href="http://www.national.com/webench">www.national.com/webench</a>
Audio	<a href="http://www.national.com/audio">www.national.com/audio</a>	App Notes	<a href="http://www.national.com/appnotes">www.national.com/appnotes</a>
Clock and Timing	<a href="http://www.national.com/timing">www.national.com/timing</a>	Reference Designs	<a href="http://www.national.com/refdesigns">www.national.com/refdesigns</a>
Data Converters	<a href="http://www.national.com/adc">www.national.com/adc</a>	Samples	<a href="http://www.national.com/samples">www.national.com/samples</a>
Interface	<a href="http://www.national.com/interface">www.national.com/interface</a>	Eval Boards	<a href="http://www.national.com/evalboards">www.national.com/evalboards</a>
LVDS	<a href="http://www.national.com/lvds">www.national.com/lvds</a>	Packaging	<a href="http://www.national.com/packaging">www.national.com/packaging</a>
Power Management	<a href="http://www.national.com/power">www.national.com/power</a>	Green Compliance	<a href="http://www.national.com/quality/green">www.national.com/quality/green</a>
Switching Regulators	<a href="http://www.national.com/switchers">www.national.com/switchers</a>	Distributors	<a href="http://www.national.com/contacts">www.national.com/contacts</a>
LDOs	<a href="http://www.national.com/ldo">www.national.com/ldo</a>	Quality and Reliability	<a href="http://www.national.com/quality">www.national.com/quality</a>
LED Lighting	<a href="http://www.national.com/led">www.national.com/led</a>	Feedback/Support	<a href="http://www.national.com/feedback">www.national.com/feedback</a>
Voltage Reference	<a href="http://www.national.com/vref">www.national.com/vref</a>	Design Made Easy	<a href="http://www.national.com/easy">www.national.com/easy</a>
PowerWise® Solutions	<a href="http://www.national.com/powerwise">www.national.com/powerwise</a>	Solutions	<a href="http://www.national.com/solutions">www.national.com/solutions</a>
Serial Digital Interface (SDI)	<a href="http://www.national.com/sdi">www.national.com/sdi</a>	Mil/Aero	<a href="http://www.national.com/milaero">www.national.com/milaero</a>
Temperature Sensors	<a href="http://www.national.com/tempensors">www.national.com/tempensors</a>	SolarMagic™	<a href="http://www.national.com/solarmagic">www.national.com/solarmagic</a>
Wireless (PLL/VCO)	<a href="http://www.national.com/wireless">www.national.com/wireless</a>	PowerWise® Design University	<a href="http://www.national.com/training">www.national.com/training</a>

THE CONTENTS OF THIS DOCUMENT ARE PROVIDED IN CONNECTION WITH NATIONAL SEMICONDUCTOR CORPORATION ("NATIONAL") PRODUCTS. NATIONAL MAKES NO REPRESENTATIONS OR WARRANTIES WITH RESPECT TO THE ACCURACY OR COMPLETENESS OF THE CONTENTS OF THIS PUBLICATION AND RESERVES THE RIGHT TO MAKE CHANGES TO SPECIFICATIONS AND PRODUCT DESCRIPTIONS AT ANY TIME WITHOUT NOTICE. NO LICENSE, WHETHER EXPRESS, IMPLIED, ARISING BY ESTOPPEL OR OTHERWISE, TO ANY INTELLECTUAL PROPERTY RIGHTS IS GRANTED BY THIS DOCUMENT.

TESTING AND OTHER QUALITY CONTROLS ARE USED TO THE EXTENT NATIONAL DEEMS NECESSARY TO SUPPORT NATIONAL'S PRODUCT WARRANTY. EXCEPT WHERE MANDATED BY GOVERNMENT REQUIREMENTS, TESTING OF ALL PARAMETERS OF EACH PRODUCT IS NOT NECESSARILY PERFORMED. NATIONAL ASSUMES NO LIABILITY FOR APPLICATIONS ASSISTANCE OR BUYER PRODUCT DESIGN. BUYERS ARE RESPONSIBLE FOR THEIR PRODUCTS AND APPLICATIONS USING NATIONAL COMPONENTS. PRIOR TO USING OR DISTRIBUTING ANY PRODUCTS THAT INCLUDE NATIONAL COMPONENTS, BUYERS SHOULD PROVIDE ADEQUATE DESIGN, TESTING AND OPERATING SAFEGUARDS.

EXCEPT AS PROVIDED IN NATIONAL'S TERMS AND CONDITIONS OF SALE FOR SUCH PRODUCTS, NATIONAL ASSUMES NO LIABILITY WHATSOEVER, AND NATIONAL DISCLAIMS ANY EXPRESS OR IMPLIED WARRANTY RELATING TO THE SALE AND/OR USE OF NATIONAL PRODUCTS INCLUDING LIABILITY OR WARRANTIES RELATING TO FITNESS FOR A PARTICULAR PURPOSE, MERCHANTABILITY, OR INFRINGEMENT OF ANY PATENT, COPYRIGHT OR OTHER INTELLECTUAL PROPERTY RIGHT.

#### LIFE SUPPORT POLICY

**NATIONAL'S PRODUCTS ARE NOT AUTHORIZED FOR USE AS CRITICAL COMPONENTS IN LIFE SUPPORT DEVICES OR SYSTEMS WITHOUT THE EXPRESS PRIOR WRITTEN APPROVAL OF THE CHIEF EXECUTIVE OFFICER AND GENERAL COUNSEL OF NATIONAL SEMICONDUCTOR CORPORATION.** As used herein:

Life support devices or systems are devices which (a) are intended for surgical implant into the body, or (b) support or sustain life and whose failure to perform when properly used in accordance with instructions for use provided in the labeling can be reasonably expected to result in a significant injury to the user. A critical component is any component in a life support device or system whose failure to perform can be reasonably expected to cause the failure of the life support device or system or to affect its safety or effectiveness.

National Semiconductor and the National Semiconductor logo are registered trademarks of National Semiconductor Corporation. All other brand or product names may be trademarks or registered trademarks of their respective holders.

Copyright© 2009 National Semiconductor Corporation

For the most current product information visit us at [www.national.com](http://www.national.com)



**National Semiconductor**  
Americas Technical  
Support Center  
Email: [support@nsc.com](mailto:support@nsc.com)  
Tel: 1-800-272-9959

**National Semiconductor Europe**  
Technical Support Center  
Email: [europe.support@nsc.com](mailto:europe.support@nsc.com)

**National Semiconductor Asia**  
Pacific Technical Support Center  
Email: [ap.support@nsc.com](mailto:ap.support@nsc.com)

**National Semiconductor Japan**  
Technical Support Center  
Email: [jpn.feedback@nsc.com](mailto:jpn.feedback@nsc.com)