

## Features

- Master and Slave Operation Possible
- Supply Voltage up to 40V
- Operating voltage  $V_S = 5V$  to 27V
- Typically 10  $\mu A$  Supply Current During Sleep Mode
- Typically 40  $\mu A$  Supply Current in Silent Mode
- Linear Low-drop Voltage Regulator:
  - Normal, Fail-safe, and Silent Mode
    - ATA6628  $V_{CC} = 3.3V \pm 2\%$
    - ATA6630  $V_{CC} = 5.0V \pm 2\%$
  - In Sleep Mode  $V_{CC}$  is Switched Off
- VCC- Undervoltage Detection (4 ms Reset Time) and Watchdog Reset Logical Combined at Open Drain Output NRES
- High-speed Mode Up to 115 kBaud
- Internal 1:6 Voltage Divider for  $V_{Battery}$  Sensing
- Negative Trigger Input for Watchdog
- Boosting the Voltage Regulator Possible with an External NPN Transistor
- LIN Physical Layer According to LIN 2.0, 2.1 and SAEJ2602-2
- Wake-up Capability via LIN-bus, Wake Pin, or KI\_15 Pin
- INH Output to Control an External Voltage Regulator or to Switch off the Master Pull Up Resistor
- Bus Pin is Overtemperature and Short-circuit Protected versus GND and Battery
- Adjustable Watchdog Time via External Resistor
- Advanced EMC and ESD Performance
- Fulfills the OEM “Hardware Requirements for LIN in Automotive Applications Rev.1.1”
- Interference and Damage Protection According ISO7637
- Package: QFN 5 mm  $\times$  5 mm with 20 Pins

## 1. Description

The ATA6628 is a fully integrated LIN transceiver, which complies with the LIN 2.0, 2.1 and SAEJ2602-2 specifications. It has a low-drop voltage regulator for 3.3V/50 mA output and a window watchdog. The ATA6630 has the same functionality as the ATA6628; however, it uses a 5V/50 mA regulator. The voltage regulator is able to source 50 mA, but the output current can be boosted by using an external NPN transistor. This chip combination makes it possible to develop inexpensive, simple, yet powerful slave and master nodes for LIN-bus systems. ATA6628/ATA6630 are designed to handle the low-speed data communication in vehicles, e.g., in convenience electronics. Improved slope control at the LIN-driver ensures secure data communication up to 20 kBaud. Sleep Mode and Silent Mode guarantee very low current consumption.



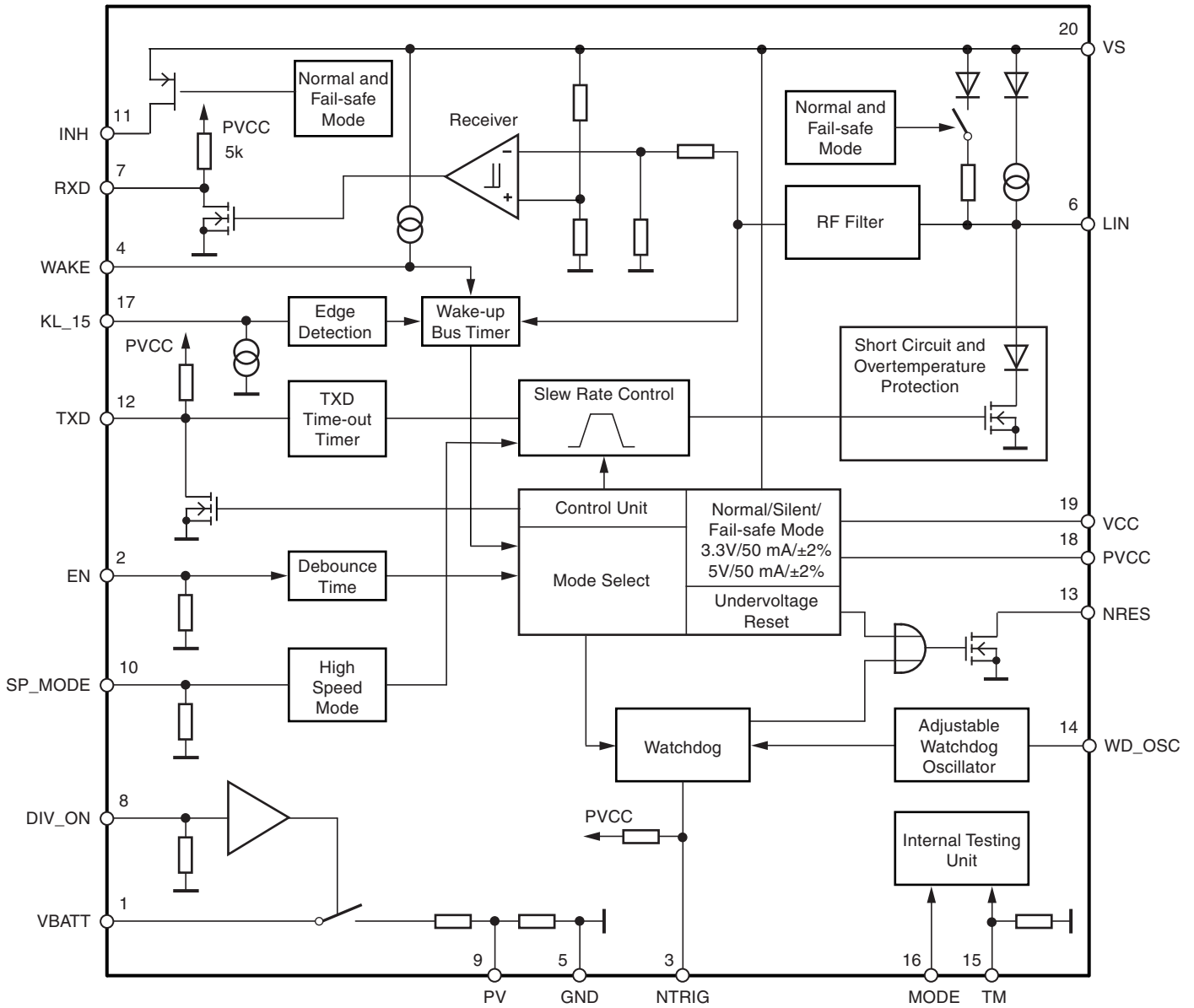
## LIN Bus Transceiver with 3.3V (5V) Regulator and Watchdog

**ATA6628**  
**ATA6630**

**Preliminary**



Figure 1-1. Block Diagram



## 2. Pin Configuration

Figure 2-1. Pinning QFN20

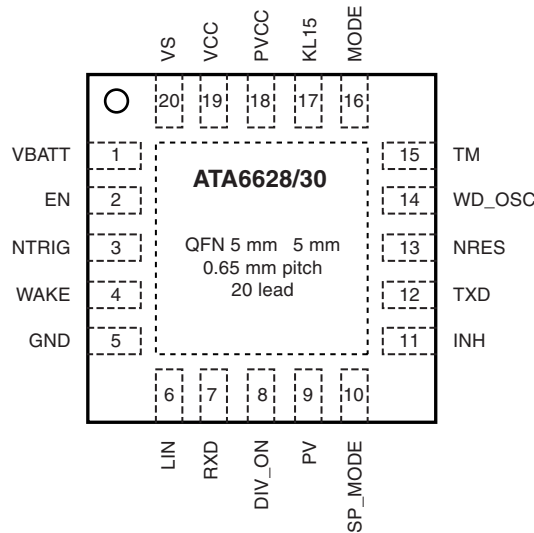


Table 2-1. Pin Description

| Pin      | Symbol  | Function  |
|----------|---------|---|
| 1        | VBATT   | Battery supply for the voltage divider  |
| 2        | EN      | Enables the device into Normal Mode   |
| 3        | NTRIG   | Low-level watchdog trigger input from microcontroller; if not needed, connect to PVCC   |
| 4        | WAKE    | High-voltage input for local wake-up request; if not needed, connect to VS              |
| 5        | GND     | System ground   |
| 6        | LIN     | LIN-bus line input/output   |
| 7        | RXD     | Receive data output   |
| 8        | DIV_ON  | Input to switch on the internal voltage divider, active high                            |
| 9        | PV      | Voltage divider output  |
| 10       | SP_MODE | Input to switch the transceiver in High-speed Mode, active high                         |
| 11       | INH     | Battery related High-side switch  |
| 12       | TXD     | Transmit data input; active low output (strong pull down) after a local wake up request |
| 13       | NRES    | Output undervoltage and watchdog reset (open drain)                                     |
| 14       | WD_OSC  | External resistor for adjustable watchdog timing; if not needed, connect to GND         |
| 15       | TM      | For factory testing only (tie to ground)  |
| 16       | MODE    | Low watchdog is on; high watchdog is off  |
| 17       | KL_15   | Ignition detection (edge sensitive)   |
| 18       | PVCC    | 3.3V/5V regulator sense input pin, connect to VCC                                       |
| 19       | VCC     | 3.3V/5V regulator output/driver pin, connect to PVCC                                    |
| 20       | VS      | Battery supply  |
| Backside |         | Heat slug is connected to GND   |

## 3. Functional Description

### 3.1 Physical Layer Compatibility

Since the LIN physical layer is independent from higher LIN layers (e.g., the LIN protocol layer), all nodes with a LIN physical layer according to revision 2.x can be mixed with LIN physical layer nodes, which, according to older versions (i.e., LIN 1.0, LIN 1.1, LIN 1.2, LIN 1.3), are without any restrictions.

### 3.2 Supply Pin (VS)

The LIN operating voltage is  $V_S = 5V$  to  $27V$ . An undervoltage detection is implemented to disable data transmission if  $V_S$  falls below  $V_{S_{th}}$  in order to avoid false bus messages. After switching on VS, the IC starts in Fail-safe Mode, and the voltage regulator is switched on (i.e., 3.3V/5V/50 mA output capability).

The supply current is typically 10  $\mu A$  in Sleep Mode and 40  $\mu A$  in Silent Mode.

### 3.3 Ground Pin (GND)

The ATA6628/ATA6630 does not affect the LIN Bus in the event of GND disconnection. It is able to handle a ground shift up to 11.5% of VS. The mandatory system ground is pin 5.

### 3.4 Voltage Regulator Output Pin (VCC)

The internal 3.3V/5V voltage regulator is capable of driving loads up to 50 mA. It is able to supply the microcontroller and other ICs on the PCB and is protected against overloads by means of current limitation and overtemperature shut-down. Furthermore, the output voltage is monitored and will cause a reset signal at the NRES output pin if it drops below a defined threshold  $V_{thun}$ . To boost up the maximum load current, an external NPN transistor may be used, with its base connected to the VCC pin and its emitter connected to PVCC.

### 3.5 Voltage Regulator Sense Pin (PVCC)

The PVCC is the sense input pin of the 3.3V/5V voltage regulator. For normal applications (i.e., when only using the internal output transistor), this pin must be connected to the VCC pin. If an external boosting transistor is used, the PVCC pin must be connected to the output of this transistor, i.e., its emitter terminal.

### 3.6 Bus Pin (LIN)

A low-side driver with internal current limitation and thermal shutdown and an internal pull-up resistor compliant with the LIN 2.x specification are implemented. The allowed voltage range is between  $-27V$  and  $+40V$ . Reverse currents from the LIN bus to VS are suppressed, even in the event of GND shifts or battery disconnection. LIN receiver thresholds are compatible with the LIN protocol specification. The fall time from recessive to dominant bus state and the rise time from dominant to recessive bus state are slope controlled.

## 3.7 Input/Output Pin (TXD)

In Normal Mode the TXD pin is the microcontroller interface used to control the state of the LIN output. TXD must be pulled to ground in order to have a low LIN-bus. If TXD is high or not connected (internal pull-up resistor), the LIN output transistor is turned off, and the bus is in recessive state. During Fail-safe Mode, this pin is used as output and is signalling the fail-safe source. It is current-limited to  $< 8$  mA.

## 3.8 TXD Dominant Time-out Function

The TXD input has an internal pull-up resistor. An internal timer prevents the bus line from being driven permanently in dominant state. If TXD is forced to low for longer than  $t_{\text{DOM}} > 27$  ms, the LIN-bus driver is switched to recessive state. Nevertheless, when switching to Sleep Mode, the actual level at the TXD pin is relevant.

To reactivate the LIN bus driver, switch TXD to high ( $> 10$   $\mu$ s).

## 3.9 Output Pin (RXD)

This output pin reports the state of the LIN-bus to the microcontroller. LIN high (recessive state) is reported by a high level at RXD; LIN low (dominant state) is reported by a low level at RXD. The output has an internal pull-up resistor with typically 5 k $\Omega$  to PVCC. The AC characteristics can be defined with an external load capacitor of 20 pF.

The output is short-circuit protected. RXD is switched off in Unpowered Mode (i.e.,  $V_S = 0V$ ).

During Fail-safe Mode it is signalling the fail-safe source.

## 3.10 Enable Input Pin (EN)

The Enable Input pin controls the operation mode of the device. If EN is high, the circuit is in Normal Mode, with transmission paths from TXD to LIN and from LIN to RXD both active. The VCC voltage regulator operates with 3.3V/5V/50 mA output capability.

If EN is switched to low while TXD is still high, the device is forced to Silent Mode. No data transmission is then possible, and the current consumption is reduced to  $I_{VS}$  typ. 40  $\mu$ A. The VCC regulator has its full functionality.

If EN is switched to low while TXD is low, the device is forced to Sleep Mode. No data transmission is possible, and the voltage regulator is switched off.

## 3.11 Wake Input Pin (WAKE)

The WAKE Input pin is a high-voltage input used to wake up the device from Sleep Mode or Silent Mode. It is usually connected to an external switch in the application to generate a local wake-up. A pull-up current source, typically 10  $\mu$ A, is implemented.

If a local wake-up is not needed in the application, connect the WAKE pin directly to the VS pin.

## 3.12 Mode Input Pin (MODE)

Connect the MODE pin directly or via an external resistor to GND for normal watchdog operation. To debug the software of the connected microcontroller, connect MODE pin to PVCC and the watchdog is switched off.

Note: If you do not use the watchdog, connect pin MODE directly to PVCC.

### 3.13 TM Input Pin

The TM pin is used for final production measurements at Atmel®. In normal application, it has to be always connected to GND.

### 3.14 KL\_15 Pin

The KL\_15 pin is a high-voltage input used to wake up the device from Sleep or Silent Mode. It is an edge-sensitive pin (low-to-high transition). It is usually connected to ignition to generate a local wake-up in the application when the ignition is switched on. Although KL\_15 pin is at high voltage ( $V_{Batt}$ ), it is possible to switch the IC into Sleep or Silent Mode. Connect the KL\_15 pin directly to GND if you do not need it. A debounce timer with a typical  $T_{db_{KL_{15}}}$  of 160  $\mu s$  is implemented.

The input voltage threshold can be adjusted by varying the external resistor due to the input current  $I_{KL_{15}}$ . To protect this pin against voltage transients, a serial resistor of 47 k $\Omega$  and a ceramic capacitor of 100 nF are recommended. With this RC combination you can increase the wake-up time  $T_{w_{KL_{15}}}$  and, therefore, the sensitivity against transients on the ignition KL\_15.

You can also increase the wake-up time using external capacitors with higher values.

### 3.15 INH Output Pin

The INH Output pin is used to switch an external voltage regulator on during Normal and Fail-safe Mode. The INH Output is a high-side switch, which is switched-off in Sleep and Silent Mode. It is possible to switch off the external 1 k $\Omega$  master resistor via the INH pin for master node applications.

### 3.16 Reset Output Pin (NRES)

The Reset Output pin, an open drain output, switches to low during VCC undervoltage or a watchdog failure.

### 3.17 WD\_OSC Output Pin

The WD\_OSC Output pin provides a typical voltage of 1.2V, which supplies an external resistor with values between 34 k $\Omega$  and 120 k $\Omega$  to adjust the watchdog oscillator time.

If the watchdog is disabled, this voltage is switched off and you can either tie to GND or leave this pin open.

### 3.18 NTRIG Input Pin

The NTRIG Input pin is the trigger input for the window watchdog. A pull-up resistor is implemented. A negative edge triggers the watchdog. The trigger signal (low) must exceed a minimum time  $t_{trigmin}$  to generate a watchdog trigger.

### 3.19 Wake-up Events from Sleep or Silent Mode

- LIN-bus
- WAKE pin
- EN pin
- KL\_15

### 3.20 DIV\_ON Input Pin

The DIV\_ON pin is a low voltage input. It is used to switch on or off the internal voltage divider PV output directly with no time limitation (see [Table 3-1 on page 7](#)). It is switched on if DIV\_ON is high or it is switched off if DIV\_ON is low. In Sleep Mode the DIV\_ON functionality is disabled and PV is off. An internal pull-down resistor is implemented.

### 3.21 VBATT Input Pin

The VBATT is a high voltage input pin to supply the internal voltage divider. In an application with battery voltage monitoring, this pin is connected to  $V_{\text{Battery}}$  via a  $47\Omega$  resistor in series and a 10 nF capacitor to GND (see [Figure 9-2 on page 31](#)). The the divider ratio is 1:6.

### 3.22 PV Output Pin

For applications with battery monitoring, this pin is directly connected to the ADC of a microcontroller. For buffering the ADC input an external capacitor might be needed. This pin guarantees a voltage and temperature stable output of a  $V_{\text{Battery}}$  ratio. The PV output pin is controlled by the DIV\_ON input pin.

**Table 3-1.** Table of Voltage Divider

| Mode of Operation                      | Input DiV_ON | Voltage Divider Output PV |
|--|--------------|---------------------------|
| Fail-safe/Normal/<br>High-speed/Silent | 0            | Off                       |
|  | 1            | On                        |
| Sleep                                  | 0            | Off                       |
|  | 1            | Off                       |

### 3.23 SP\_MODE Input Pin

The SP\_MODE pin is a low-voltage input. High-speed Mode of the transceiver can be activated via a high level during Normal Mode. Return to LIN 2.x Transceiver Mode with slope control is possible if you switch the SP\_MODE pin to low.

## 4. Modes of Operation

Figure 4-1. Modes of Operation

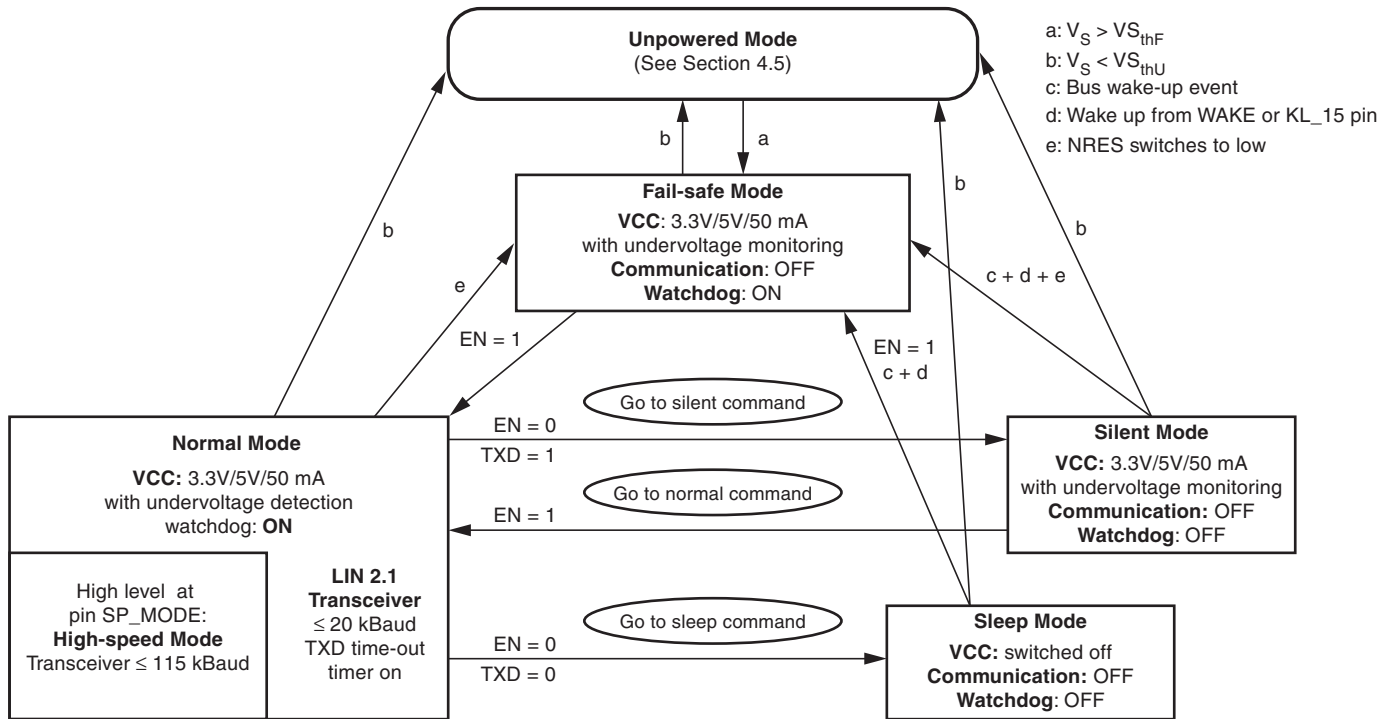


Table 4-1. Table of Modes

| Mode of Operation     | Transceiver | Pin LIN       | V <sub>CC</sub> | Pin Mode | Watchdog | Pin WD_OSC | Pin INH |
|-----------------------|-------------|---------------|-----------------|----------|----------|------------|---------|
| Unpowered             | Off         | Recessive     | On              | GND      | On       | On         | Off     |
| Fail-safe             | Off         | Recessive     | 3.3V/5V         | GND      | On       | 1.23V      | On      |
| Normal/<br>High-speed | On          | TXD depending | 3.3V/5V         | GND      | On       | 1.23V      | On      |
| Silent                | Off         | Recessive     | 3.3V/5V         | GND      | Off      | 0V         | Off     |
| Sleep                 | Off         | Recessive     | 0V              | GND      | Off      | 0V         | Off     |



## 4.1 Normal Mode

This is the normal transmitting and receiving mode. The voltage regulator is active and can source up to 50 mA. The undervoltage detection is activated. The watchdog needs a trigger signal from NTRIG to avoid resets at NRES. If NRES is switched to low, the IC changes its state to Fail-safe Mode.

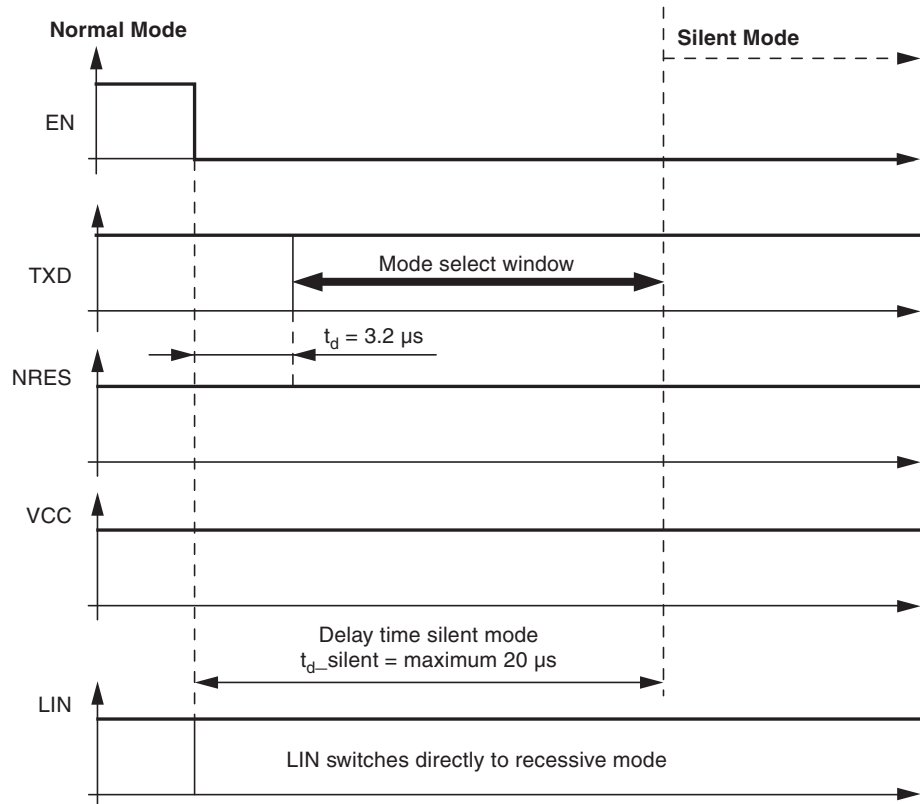
## 4.2 Silent Mode

A falling edge at EN when TXD is high switches the IC into Silent Mode. The TXD Signal has to be logic high during the Mode Select window (see [Figure 4-2 on page 9](#)). The transmission path is disabled in Silent Mode. The INH output is switched off and the voltage divider is enabled. The overall supply current from  $V_{Batt}$  is a combination of the  $I_{V_{Ssi}} = 40 \mu A$  plus the VCC regulator output current  $I_{VCC}$ .

The 3.3V/5V regulator with 2% tolerance can source up to 50 mA. The internal slave termination between the LIN pin and the VS pin is disabled in Silent Mode to minimize the current consumption in the event that the LIN pin is short-circuited to GND. Only a weak pull-up current (typically 10  $\mu A$ ) between the LIN pin and the VS pin is present. Silent Mode can be activated independently from the actual level on the LIN, WAKE, or KL\_15 pins. If an undervoltage condition occurs, NRES is switched to low, and the IC changes its state to Fail-safe Mode.

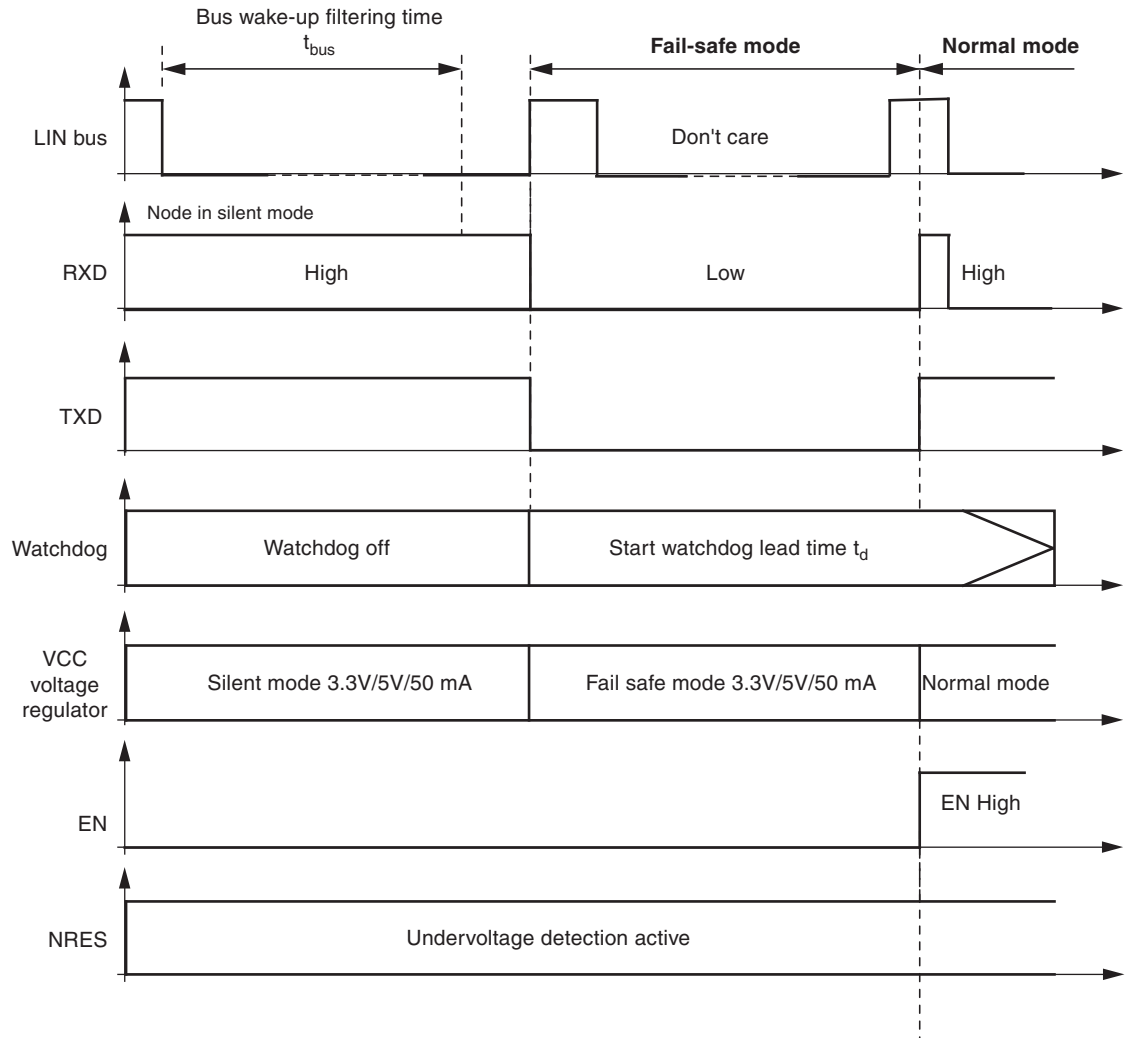
A voltage less than the LIN Pre\_Wake detection VLINL at the LIN pin activates the internal LIN receiver and starts the wake-up detection timer.

**Figure 4-2.** Switch to Silent Mode



A falling edge at the LIN pin followed by a dominant bus level maintained for a certain time period ( $t_{bus}$ ) and the following rising edge at the LIN pin (see [Figure 4-3 on page 10](#)) result in a remote wake-up request which is only possible if TXD is high. The device switches from Silent Mode to Fail-safe Mode. The internal LIN slave termination resistor is switched on. The remote wake-up request is indicated by a low level at the RXD pin to interrupt the microcontroller (see [Figure 4-3 on page 10](#)). EN high can be used to switch directly to Normal Mode.

**Figure 4-3.** LIN Wake-up from Silent Mode



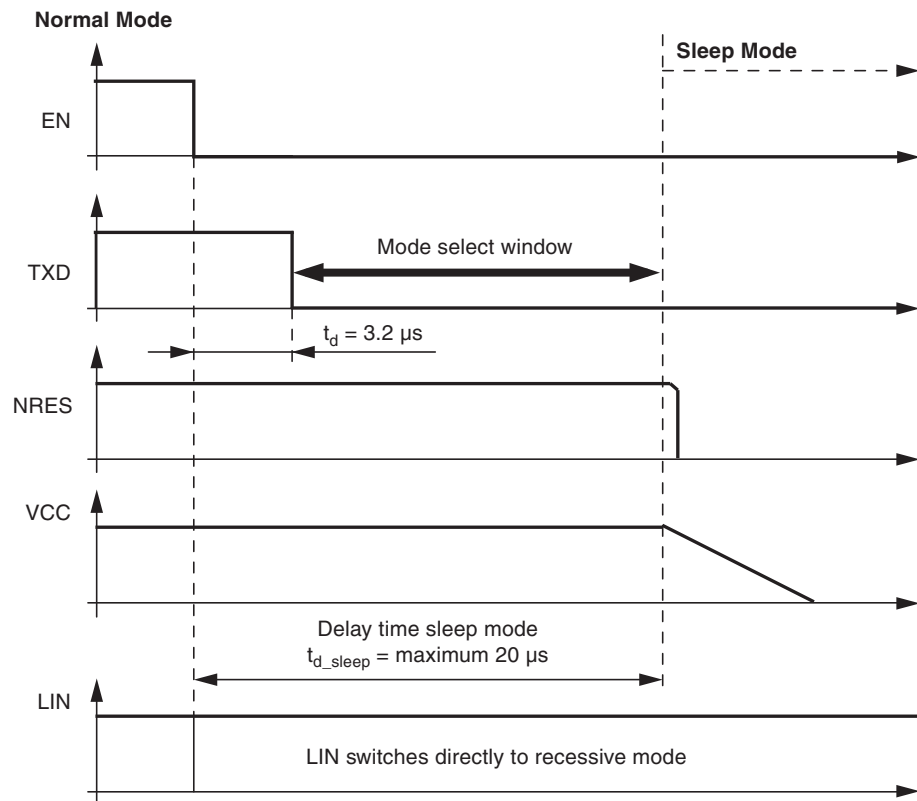
### 4.3 Sleep Mode

A falling edge at EN when TXD is low switches the IC into Sleep Mode. The TXD Signal has to be logic low during the Mode Select window (Figure 4-4 on page 11). In order to avoid any influence to the LIN-pin during switching into sleep mode it is possible to switch the EN up to 3.2  $\mu\text{s}$  earlier to Low than the TXD. Therefore, the best and easiest way are two falling edges at TXD and EN at the same time. The transmission path is disabled in Sleep Mode. The supply current  $I_{V_{\text{Sleep}}}$  from  $V_{\text{Batt}}$  is typically 10  $\mu\text{A}$ .

The INH output, the PV output and the VCC regulator are switched off. NRES and RXD are low. The internal slave termination between the LIN pin and VS pin is disabled to minimize the current consumption in the event that the LIN pin is short-circuited to GND. Only a weak pull-up current (typically 10  $\mu\text{A}$ ) between the LIN pin and the VS pin is present. Sleep Mode can be activated independently from the current level on the LIN, WAKE, or KL\_15 pin.

A voltage less than the LIN Pre\_Wake detection VLINL at the LIN pin activates the internal LIN receiver and starts the wake-up detection timer.

**Figure 4-4.** Switch to Sleep Mode

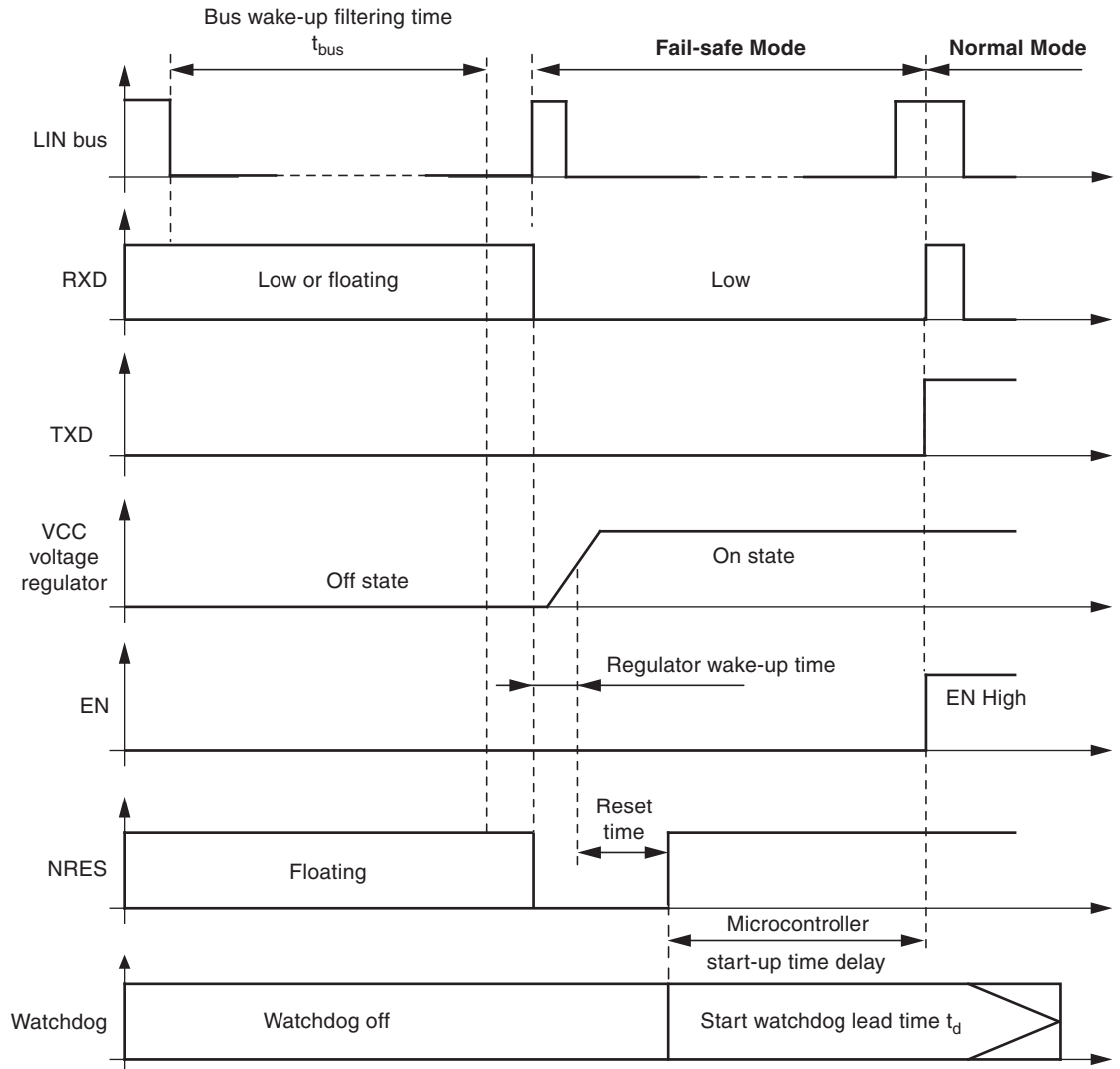


A falling edge at the LIN pin followed by a dominant bus level maintained for a certain time period ( $t_{bus}$ ) and a rising edge at pin LIN result in a remote wake-up request. The device switches from Sleep Mode to Fail-safe Mode.

The VCC regulator is activated, and the internal LIN slave termination resistor is switched on. The remote wake-up request is indicated by a low level at the RXD pin to interrupt the microcontroller (see [Figure 4-5 on page 12](#)).

EN high can be used to switch directly from Sleep/Silent to Fail-safe Mode. If EN is still high after VCC ramp up and undervoltage reset time, the IC switches to the Normal Mode.

**Figure 4-5.** LIN Wake Up from Sleep Mode



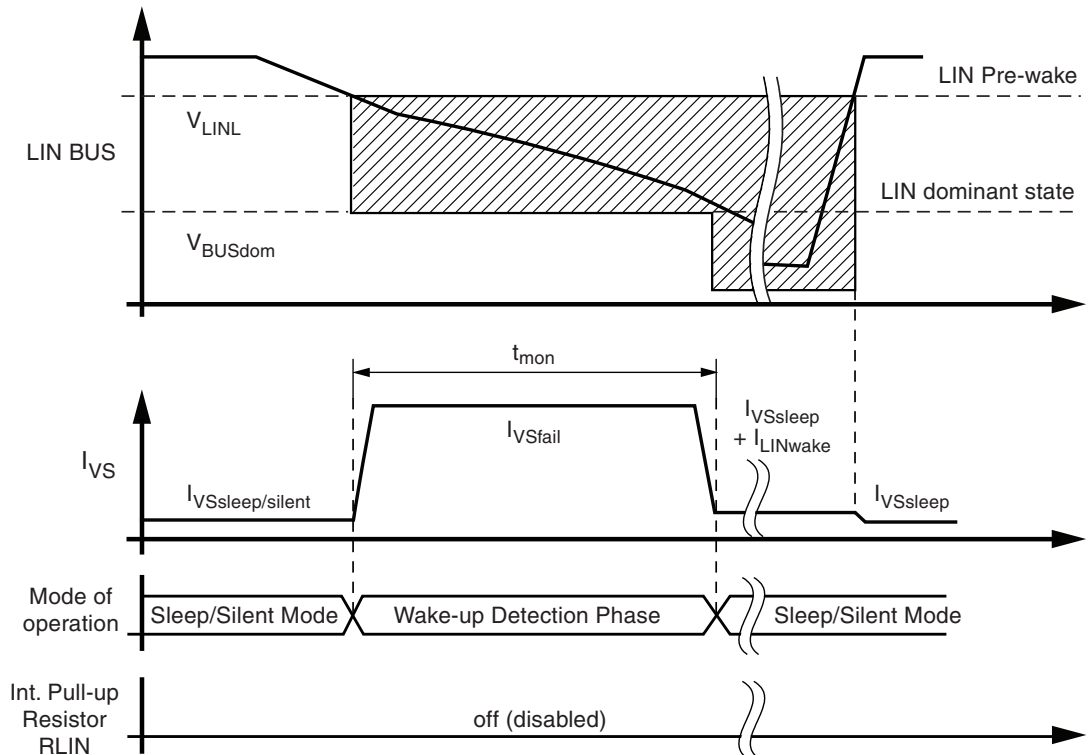
## 4.4 Sleep or Silent Mode: Behavior at a Floating LIN-bus or a Short Circuited LIN to GND

In Sleep or in Silent Mode the device has a very low current consumption even during short-circuits or floating conditions on the bus. A floating bus can arise if the Master pull-up resistor is missing, e.g., if it is switched off when the LIN- Master is in sleep mode or even if the power supply of the Master node is switched off.

In order to minimize the current consumption  $I_{VS}$  in sleep or silent mode during voltage levels at the LIN-pin below the LIN pre-wake threshold, the receiver is activated only for a specific time  $t_{mon}$ . If  $t_{mon}$  elapses while the voltage at the bus is lower than Pre-wake detection low ( $V_{LINL}$ ) and higher than the LIN dominant level, the receiver is switched off again and the circuit changes back to sleep respectively Silent Mode. The current consumption is then the result of  $I_{VSsleep}$  or  $I_{VSsilent}$  plus  $I_{LINwake}$ . If a dominant state is reached on the bus no wake-up will occur. Even if the voltage rises above the Pre-wake detection high ( $V_{LINH}$ ), the IC will stay in sleep respectively silent mode (see Figure 4-6).

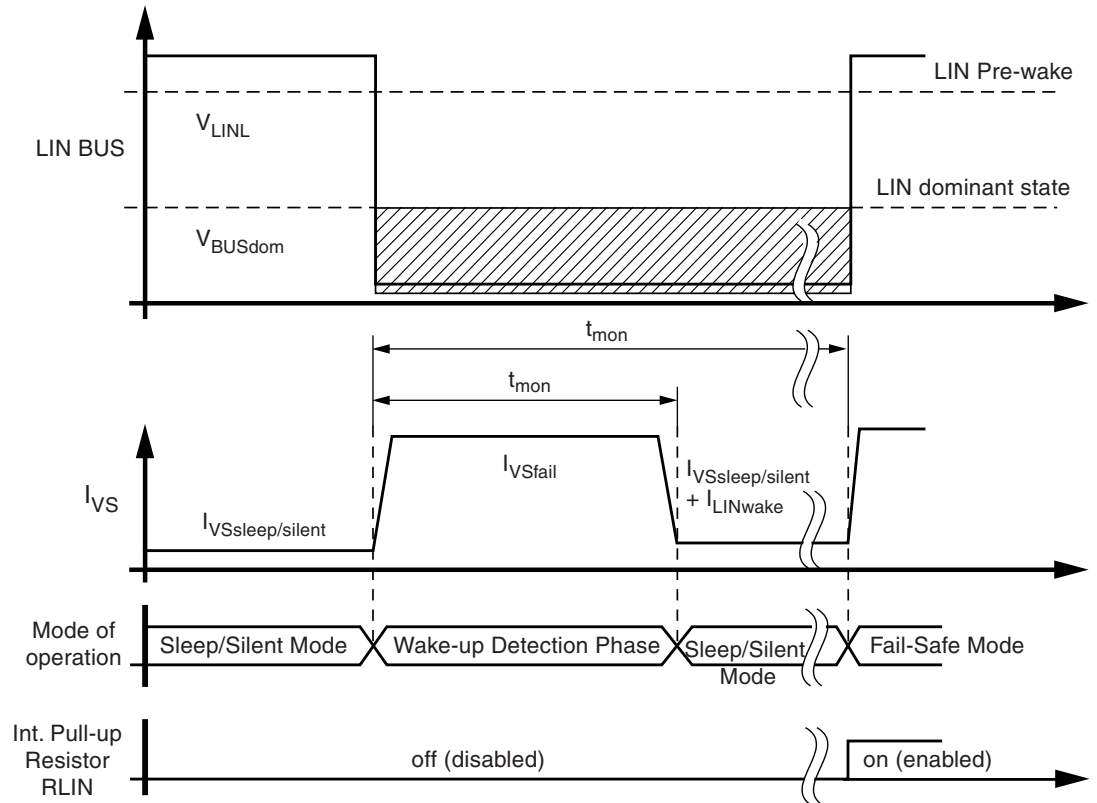
This means the LIN-bus must be above the Pre-wake detection threshold  $V_{LINH}$  for a few microseconds before a new LIN wake-up is possible.

**Figure 4-6.** Floating LIN-bus During Sleep or Silent Mode



If the ATA6628/ATA6630 is in Sleep or Silent Mode and the voltage level at the LIN-bus is in dominant state ( $V_{LIN} < V_{BUSdom}$ ) for a time period exceeding  $t_{mon}$  (during a short circuit at LIN, for example), the IC switches back to Sleep Mode respectively Silent Mode. The  $V_S$  current consumption then consists of  $I_{VSsleep}$  or  $I_{VSsilent}$  plus  $I_{LINWAKE}$ . After a positive edge at pin LIN the IC switches directly to Fail-safe Mode (see Figure 4-7 on page 14).

**Figure 4-7.** Short Circuit to GND on the LIN bus During Sleep- or Silent Mode



## 4.5 Fail-safe Mode

The device automatically switches to Fail-safe Mode at system power-up. The voltage regulator is switched on ( $V_{CC} = 3.3V/5V/2\%/50\text{ mA}$ ) (see [Figure 5-1 on page 19](#)). The NRES output switches to low for  $t_{res} = 4\text{ ms}$  and gives a reset to the microcontroller. LIN communication is switched off. The IC stays in this mode until EN is switched to high. The IC then changes to Normal Mode. A power down of  $V_{Batt}$  ( $V_S < V_{S_{thU}}$ ) during Silent or Sleep Mode switches the IC into Fail-safe Mode after power up. A low at NRES switches into Fail-safe Mode directly. During Fail-safe Mode, the TXD pin is an output and signals the fail-safe source. The watchdog is switched on.

The LIN SBC can operate in different Modes, like Normal, Silent, or Sleep Mode. The functionality of these modes is described in [Table 4-2](#).

**Table 4-2.** TXD, RXD Depending from Operation Modes

| Different Modes | TXD   | RXD  |
|-----------------|---|------|
| Fail-safe Mode  | Signalling fail-safe sources (see <a href="#">Table 4-3</a> and <a href="#">Table 4-4</a> ) |      |
| Normal Mode     | Follows data transmission   |      |
| Silent Mode     | High  | High |

A wake-up event from either Silent or Sleep Mode will be signalled to the microcontroller using the two pins RXD and TXD. The coding is shown in [Table 4-3](#).

A wake-up event will lead the IC to the Fail-safe Mode.

**Table 4-3.** Signalling Fail-safe Sources

| Fail-safe Sources                             | TXD  | RXD  |
|---|------|------|
| LIN wake-up (pin LIN)                         | Low  | Low  |
| Local wake-up (at pin Wake, pin KL15)         | Low  | High |
| $V_{S_{th}}$ (battery) undervoltage detection | High | Low  |

**Table 4-4.** Signalling in Fail-safe Mode after Reset (NRES was Low), Shows the Reset Source at TXD and RXD Pins

| Fail-safe Sources        | TXD  | RXD  |
|--------------------------|------|------|
| VCC undervoltage at NRES | High | Low  |
| Watchdog reset at NRES   | High | High |

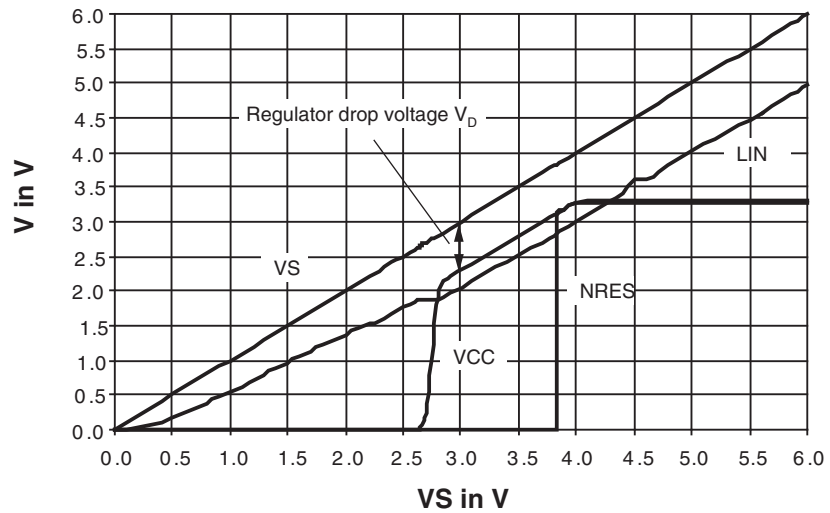
## 4.6 Unpowered Mode

If you connect battery voltage to the application circuit, the voltage at the VS pin increases according to the block capacitor (see [Figure 5-1 on page 19](#)). After VS is higher than the VS undervoltage threshold  $VS_{th}$ , the IC mode changes from Unpowered Mode to Fail-safe Mode. The VCC output voltage reaches its nominal value after  $t_{VCC}$ . This time,  $t_{VCC}$ , depends on the VCC capacitor and the load.

The NRES is low for the reset time delay  $t_{reset}$ . During this time,  $t_{reset}$ , no mode change is possible.

IF VS drops below  $VS_{th}$ , then the IC switches to Unpowered Mode. The behavior of VCC, NRES and LIN is shown in [Figure 4-8](#). The watchdog needs to be triggered.

**Figure 4-8.** VCC versus VS for the VCC = 3.3V Regulator



## 4.7 High-speed Mode

If SP\_MODE pin is high and the IC is in Normal Mode, the slew rate control is switched off. The slope time of the LIN falling edge is  $t_{S\_Fall} < 2 \mu s$ . The slope time of the LIN rising edge strongly depends on the LIN capacitive and resistive load. To achieve a high baud rate it is recommended to use a small resistor ( $500 \Omega$ ) and a low capacitor. This allows very fast data transmission up to 115 kBaud, e.g., for electronic control (ECU) tests and microcontroller program or data download. In this mode superior EMC performance is not guaranteed.



## 5. Wake-up Scenarios from Silent or Sleep Mode

### 5.1 Remote Wake-up via Dominant Bus State

A voltage less than the LIN Pre\_Wake detection  $V_{LINL}$  at the LIN pin activates the internal LIN receiver and starts the wake-up detection timer.

A falling edge at the LIN pin followed by a dominant bus level  $V_{BUSdom}$  maintained for a certain time period ( $t_{BUS}$ ) and a rising edge at pin LIN result in a remote wake-up request. A remote wake-up from Silent Mode is only possible if TXD is high. The device switches from Silent or Sleep Mode to Fail-safe Mode. The VCC voltage regulator is/remains activated, the INH pin is switched to high, and the internal slave termination resistor is switched on. The remote wake-up request is indicated by a low level at the RXD pin to generate an interrupt for the microcontroller and a strong pull down at TXD.

### 5.2 Local Wake-up via Pin WAKE

A falling edge at the WAKE pin followed by a low level maintained for a certain time period ( $t_{WAKE}$ ) results in a local wake-up request. The device switches to Fail-safe Mode. The internal slave termination resistor is switched on. The local wake-up request is indicated by a low level at the TXD pin to generate an interrupt for the microcontroller. When the Wake pin is low, it is possible to switch to Silent or Sleep Mode via pin EN. In this case, the wake-up signal has to be switched to high  $> 10 \mu s$  before the negative edge at WAKE starts a new local wake-up request.

### 5.3 Local Wake-up via Pin KL\_15

A positive edge at pin KL\_15 followed by a high voltage level for a certain time period ( $> t_{KL\_15}$ ) results in a local wake-up request. The device switches into the Fail-safe Mode. The internal slave termination resistor is switched on. The extra long wake-up time ensures that no transients at KL\_15 create a wake-up. The local wake-up request is indicated by a low level at the TXD pin to generate an interrupt for the microcontroller. During high-level voltage at pin KL\_15, it is possible to switch to Silent or Sleep Mode via pin EN. In this case, the wake-up signal has to be switched to low  $> 250 \mu s$  before the positive edge at KL\_15 starts a new local wake-up request. With external RC combination, the time is even longer.

### 5.4 Wake-up Source Recognition

The device can distinguish between different wake-up sources (see [Table 4-4 on page 15](#)).

The wake-up source can be read on the TXD and RXD pin in Fail-safe Mode. These flags are immediately reset if the microcontroller sets the EN pin to high (see [Figure 4-3 on page 10](#) and [Figure 4-5 on page 12](#)) and the IC is in Normal mode.

## 5.5 Fail-safe Features

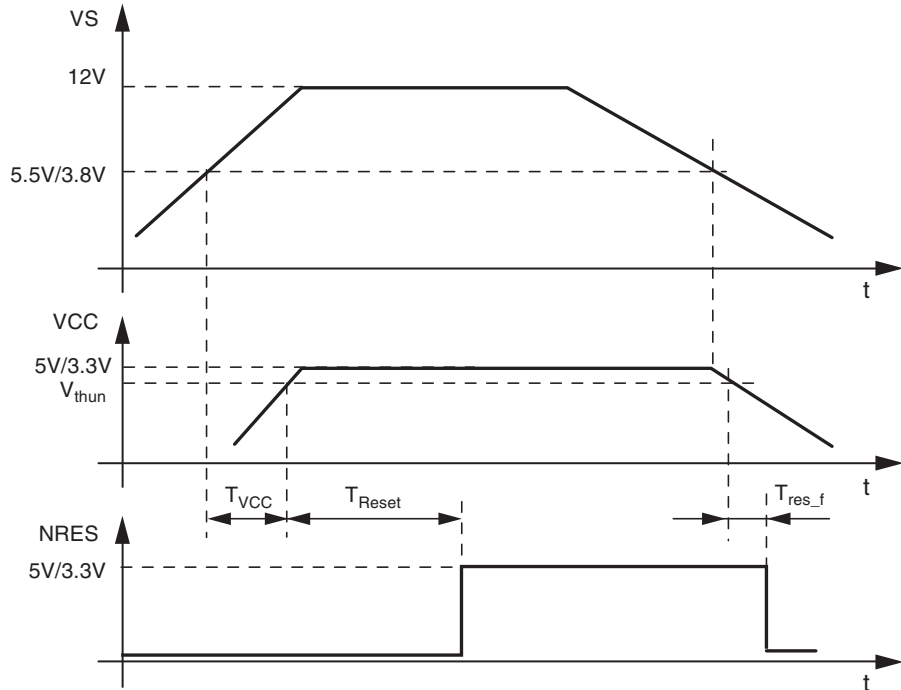
- During a short-circuit at LIN to  $V_{\text{Battery}}$ , the output limits the output current to  $I_{\text{BUS\_lim}}$ . Due to the power dissipation, the chip temperature exceeds  $T_{\text{LINoff}}$ , and the LIN output is switched off. The chip cools down and after a hysteresis of  $T_{\text{hys}}$ , switches the output on again. RXD stays on high because LIN is high. During LIN overtemperature switch-off, the VCC regulator works independently.
- During a short-circuit from LIN to GND the IC can be switched into Sleep or Silent Mode and even in this case the current consumption is lower than  $45 \mu\text{A}$  in Sleep Mode and lower than  $80 \mu\text{A}$  in Silent Mode. If the short-circuit disappears, the IC starts with a remote wake-up.
- Sleep or Silent Mode: During a floating condition on the bus the IC switches back to Sleep Mode/Silent Mode automatically and thereby the current consumption is lower than  $45 \mu\text{A}/80 \mu\text{A}$ .
- The reverse current is  $< 2 \mu\text{A}$  at the LIN pin during loss of  $V_{\text{Batt}}$ . This is optimal behavior for bus systems where some slave nodes are supplied from battery or ignition.
- During a short circuit at VCC, the output limits the output current to  $I_{\text{VCClim}}$ . Because of undervoltage, NRES switches to low and sends a reset to the microcontroller if NRES is connected to the microcontroller. The IC switches into Fail-safe Mode. If the chip temperature exceeds the value  $T_{\text{VCCoff}}$ , the VCC output switches off. The chip cools down and after a hysteresis of  $T_{\text{hys}}$ , switches the output on again. Because of the Fail-safe Mode, the VCC voltage will switch on again although EN is switched off from the microcontroller. The microcontroller can start with its normal operation.
- EN pin provides a pull-down resistor to force the transceiver into recessive mode if EN is disconnected.
- RXD pin is set floating if  $V_{\text{Batt}}$  is disconnected.
- TXD pin provides a pull-up resistor to force the transceiver into recessive mode if TXD is disconnected.
- If TXD is short-circuited to GND, it is possible to switch to Sleep Mode via ENABLE
- If the WD\_OSC pin has a short-circuit to GND and the NTRIG Signal has a period time  $> 27 \text{ ms}$  a reset is guaranteed.
- If the resistor at the WD\_OSC pin is disconnected and the NTRIG Signal has a period time  $< 46 \text{ ms}$  a reset is guaranteed.
- If there is no NTRIG signal and a short-circuit at WD\_OSC to GND the NRES switches to low after  $90 \text{ ms}$ . For an open circuit (no resistor) at WD\_OSC it switches to low after  $390 \text{ ms}$ .

## 5.6 Voltage Regulator

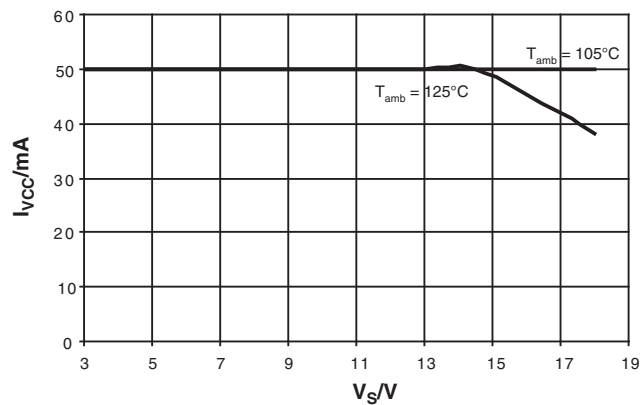
The voltage regulator needs an external capacitor for compensation and for smoothing the disturbances from the microcontroller. It is recommended to use an electrolytic capacitor with  $C > 1.8 \mu\text{F}$  and a ceramic capacitor with  $C = 100 \text{ nF}$ . The values of these capacitors can be varied by the customer, depending on the application.

The main power dissipation of the IC is created from the VCC output current  $I_{VCC}$ , which is needed for the application. In Figure 5-2 on page 19 the safe operating area of the ATA6628/ATA6630 is shown.

**Figure 5-1.** VCC Voltage Regulator: Ramp-up and Undervoltage Detection



**Figure 5-2.** Power Dissipation: Safe Operating Area versus VCC Output Current and Supply Voltage  $V_S$  at Different Ambient Temperatures Due to  $R_{thja} = 35 \text{ K/W}$



For microcontroller programming, it may be necessary to supply the VCC output via an external power supply while the  $V_S$  Pin of the system basis chip is disconnected. This behavior is no problem for the system basis chip.

## 6. Watchdog

The watchdog anticipates a trigger signal from the microcontroller at the NTRIG (negative edge) input within a time window of  $T_{wd}$ . The trigger signal must exceed a minimum time  $t_{trigmin} > 4 \mu s$ . If a triggering signal is not received, a reset signal will be generated at output NRES. The timing basis of the watchdog is provided by the internal oscillator. Its time period,  $T_{osc}$ , is adjustable via the external resistor  $R_{wd\_osc}$  (34 k $\Omega$  to 120 k $\Omega$ ).

During Silent or Sleep Mode the watchdog is switched off to reduce current consumption.

The minimum time for the first watchdog pulse is required after the undervoltage reset at NRES disappears. It is defined as lead time  $t_d$ . After wake up from Sleep or Silent Mode, the lead time  $t_d$  starts with the negative edge of the RXD output.

### 6.1 Typical Timing Sequence with $R_{WD\_OSC} = 51 \text{ k}\Omega$

The trigger signal  $T_{wd}$  is adjustable between 20 ms and 64 ms using the external resistor  $R_{WD\_OSC}$ .

For example, with an external resistor of  $R_{WD\_OSC} = 51 \text{ k}\Omega \pm 1\%$ , the typical parameters of the watchdog are as follows:

$$t_{osc} = 0.405 \times R_{WD\_OSC} - 0.0004 \times (R_{WD\_OSC})^2 \quad (R_{WD\_OSC} \text{ in k}\Omega; t_{osc} \text{ in } \mu s)$$

$$t_{OSC} = 19.6 \mu s \text{ due to } 51 \text{ k}\Omega$$

$$t_d = 7895 \times 19.6 \mu s = 155 \text{ ms}$$

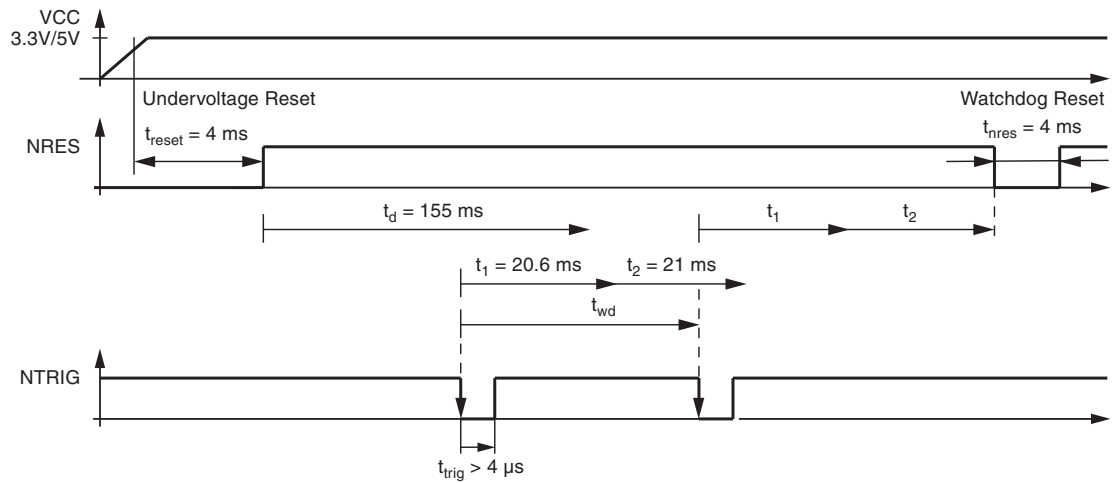
$$t_1 = 1053 \times 19.6 \mu s = 20.6 \text{ ms}$$

$$t_2 = 1105 \times 19.6 \mu s = 21.6 \text{ ms}$$

$$t_{nres} = \text{constant} = 4 \text{ ms}$$

After ramping up the battery voltage, the 5V regulator is switched on. The reset output NRES stays low for the time  $t_{reset}$  (typically 4 ms), then it switches to high, and the watchdog waits for the trigger sequence from the microcontroller. The lead time,  $t_d$ , follows the reset and is  $t_d = 155 \text{ ms}$ . In this time, the first watchdog pulse from the microcontroller is required. If the trigger pulse NTRIG occurs during this time, the time  $t_1$  starts immediately. If no trigger signal occurs during the time  $t_d$ , a watchdog reset with  $t_{NRES} = 4 \text{ ms}$  will reset the microcontroller after  $t_d = 155 \text{ ms}$ . The times  $t_1$  and  $t_2$  have a fixed relationship. A triggering signal from the microcontroller is anticipated within the time frame of  $t_2 = 21.6 \text{ ms}$ . To avoid false triggering from glitches, the trigger pulse must be longer than  $t_{TRIG,min} > 200 \text{ ns}$ . This slope serves to restart the watchdog sequence. If the triggering signal fails in this open window  $t_2$ , the NRES output will be drawn to ground. A triggering signal during the closed window  $t_1$  immediately switches NRES to low.

**Figure 6-1.** Timing Sequence with  $R_{WD\_OSC} = 51\text{ k}\Omega$



## 6.2 Worst Case Calculation with $R_{WD\_OSC} = 51\text{ k}\Omega$

The internal oscillator has a tolerance of 20%. This means that  $t_1$  and  $t_2$  can also vary by 20%. The worst case calculation for the watchdog period  $t_{wd}$  is calculated as follows.

The ideal watchdog time  $t_{wd}$  is between the maximum  $t_1$  and the minimum  $t_1$  plus the minimum  $t_2$ .

$$t_{1,\min} = 0.8 \times t_1 = 16.5\text{ ms}, t_{1,\max} = 1.2 \times t_1 = 24.8\text{ ms}$$

$$t_{2,\min} = 0.8 \times t_2 = 17.3\text{ ms}, t_{2,\max} = 1.2 \times t_2 = 26\text{ ms}$$

$$t_{wd\max} = t_{1\min} + t_{2\min} = 16.5\text{ ms} + 17.3\text{ ms} = 33.8\text{ ms}$$

$$t_{wd\min} = t_{1\max} = 24.8\text{ ms}$$

$$t_{wd} = 29.3\text{ ms} \pm 4.5\text{ ms} (\pm 15\%)$$

A microcontroller with an oscillator tolerance of  $\pm 15\%$  is sufficient to supply the trigger inputs correctly.

**Table 6-1.** Typical Watchdog Timings

| $R_{WD\_OSC}$<br>k $\Omega$ | Oscillator<br>Period<br>$t_{osc}/\mu\text{s}$ | Lead<br>Time<br>$t_d/\text{ms}$ | Closed<br>Window<br>$t_1/\text{ms}$ | Open Window<br>$t_2/\text{ms}$ | Trigger Period from<br>Microcontroller<br>$t_{wd}/\text{ms}$ | Reset Time<br>$t_{nres}/\text{ms}$ |
|-----------------------------|---|---------------------------------|-------------------------------------|--------------------------------|--|------------------------------------|
| 34                          | 13.3  | 105                             | 14.0                                | 14.7                           | 19.9   | 4                                  |
| 51                          | 19.61   | 154.8                           | 20.64                               | 21.67                          | 29.32  | 4                                  |
| 91                          | 33.54   | 264.80                          | 35.32                               | 37.06                          | 50.14  | 4                                  |
| 120                         | 42.84   | 338.22                          | 45.11                               | 47.34                          | 64.05  | 4                                  |

## 7. Absolute Maximum Ratings

Stresses beyond those listed under “Absolute Maximum Ratings” may cause permanent damage to the device. This is a stress rating only and functional operation of the device at these or any other conditions beyond those indicated in the operational sections of this specification is not implied. Exposure to absolute maximum rating conditions for extended periods may affect device reliability.

| Parameters   | Symbol     | Min.      | Typ. | Max.         | Unit             |
|--|------------|-----------|------|--------------|------------------|
| Supply voltage $V_S$   | $V_S$      | -0.3      |      | +40          | V                |
| Pulse time $\leq 500$ ms<br>$T_a = 25^\circ\text{C}$<br>Output current $I_{VCC} \leq 50$ mA  | $V_S$      |           |      | +40          | V                |
| Pulse time $\leq 2$ min<br>$T_a = 25^\circ\text{C}$<br>Output current $I_{VCC} \leq 50$ mA   | $V_S$      |           |      | 27           | V                |
| WAKE (with 2.7 k $\Omega$ serial resistor)<br>KL_15 (with 47 k $\Omega$ /100 nF)<br>VBATT (with 47 $\Omega$ /10 nF)<br>DC voltage  |            | -1        |      | +40          | V                |
| Transient voltage due to ISO7637<br>(coupling 1 nF)  |            | -150      |      | +100         | V                |
| INH<br>- DC voltage  |            | -0.3      |      | $V_S + 0.3$  | V                |
| LIN, VBATT<br>- DC voltage   |            | -27       |      | +40          | V                |
| Logic pins (RxD, TxD, EN, NRES, NTRIG,<br>WD_OSC, MODE, TM, DIV_ON,<br>SP_MODE, PV)  |            | -0.3      |      | $VCC + 0.5V$ | V                |
| Output current NRES  | $I_{NRES}$ |           |      | +2           | mA               |
| PVCC DC voltage  |            | -0.3      |      | +5.5         | V                |
| VCC DC voltage   |            | -0.3      |      | +6.5         | V                |
| ESD according to IBEE LIN EMC<br>Test Spec. 1.0 following IEC 61000-4-2<br>- Pin VS, LIN to GND<br>- Pin WAKE (2.7 k $\Omega$ serial resistor) to<br>GND<br>- Pin VBATT (10 nF) to GND |            | $\pm 6$   |      |              | KV               |
| HBM ESD<br>ANSI/ESD-STM5.1<br>JESD22-A114<br>AEC-Q100 (002)<br>MIL-STD-883 (M3015.7)   |            | $\pm 3$   |      |              | KV               |
| CDM ESD STM 5.3.1  |            | $\pm 750$ |      |              | V                |
| MM ESD<br>EIA/JESD22-A115<br>ESD STM5.2<br>AEC-Q100 (002)  |            | $\pm 200$ |      |              | V                |
| ESD HBM following STM5.1 with 1.5 k $\Omega$<br>100 pF<br>- Pin VS, LIN, WAKE to GND   |            | $\pm 6$   |      |              | KV               |
| Junction temperature   | $T_j$      | -40       |      | +150         | $^\circ\text{C}$ |
| Storage temperature  | $T_s$      | -55       |      | +150         | $^\circ\text{C}$ |

## 8. Thermal Characteristics

| Parameters  | Symbol     | Min. | Typ. | Max. | Unit |
|---|------------|------|------|------|------|
| Thermal resistance junction to heat slug  | $R_{thjc}$ |      |      | 10   | K/W  |
| Thermal resistance junction to ambient, where heat slug is soldered to PCB according to Jedec | $R_{thja}$ |      | 35   |      | K/W  |
| Thermal shutdown of VCC regulator   |            | 150  | 165  | 170  | °C   |
| Thermal shutdown of LIN output  |            | 150  | 165  | 170  | °C   |
| Thermal shutdown hysteresis   |            |      | 10   |      | °C   |

## 9. Electrical Characteristics

$5V < V_S < 27V$ ,  $-40^{\circ}C < T_j < 150^{\circ}C$ , unless otherwise specified. All values refer to GND pins

| No. | Parameters                           | Test Conditions   | Pin | Symbol               | Min. | Typ. | Max. | Unit    | Type* |
|-----|--------------------------------------|---|-----|----------------------|------|------|------|---------|-------|
| 1   | <b>VS Pin</b>                        |   |     |                      |      |      |      |         |       |
| 1.1 | Nominal DC voltage range             |   | VS  | $V_S$                | 5    |      | 27   | V       | A     |
| 1.2 | Supply current in Sleep Mode         | Sleep Mode<br>$V_{LIN} > V_S - 0.5V$<br>$V_S < 14V$   | VS  | $I_{VSsleep}$        | 3    | 10   | 14   | $\mu A$ | A     |
|     |                                      | Sleep Mode, $V_{LIN} = 0V$<br>Bus shorted to GND<br>$V_S < 14V$                               | VS  | $I_{VSsleep\_short}$ | 6    | 17   | 30   | $\mu A$ | A     |
| 1.3 | Supply current in Silent Mode        | Bus recessive<br>$V_S < 14V$ ( $T_j = 25^{\circ}C$ )<br>Without load at VCC                   | VS  | $I_{VSSi}$           | 20   | 35   | 45   | $\mu A$ | A     |
|     |                                      | Bus recessive<br>$V_S < 14V$ ( $T_j = 125^{\circ}C$ )<br>Without load at VCC                  | VS  | $I_{VSSi}$           | 25   | 40   | 50   | $\mu A$ | A     |
|     |                                      | Silent Mode<br>$V_S < 14V$<br>Bus shorted to GND<br>Without load at VCC                       | VS  | $I_{VSSi\_short}$    | 25   | 50   | 80   | $\mu A$ | A     |
| 1.4 | Supply current in Normal Mode        | Bus recessive<br>$V_S < 14V$<br>Without load at VCC   | VS  | $I_{VSrec}$          | 0.3  |      | 0.8  | mA      | A     |
| 1.5 | Supply current in Normal Mode        | Bus recessive<br>$V_S < 14V$<br>$V_{CC}$ load current 50 mA                                   | VS  | $I_{VSdom}$          | 50   |      | 53   | mA      | A     |
| 1.6 | Supply current in Fail-safe Mode     | Bus recessive, RXD is low<br>$V_S < 14V$<br>Without load at VCC<br>for ATA6628<br>for ATA6630 | VS  | $I_{VSfail}$         |      |      |      | 1.0     | A     |
|     |                                      |   | VS  |                      |      |      |      | 1.5     | 2.0   |
| 1.7 | VS undervoltage threshold            | Switch to Unpowered Mode  | VS  | $V_{SthU}$           | 4.1  | 4.4  | 4.7  | V       | A     |
|     |                                      | Switch to Fail-safe Mode  | VS  | $V_{SthF}$           | 4.4  | 4.7  | 4.9  | V       | A     |
| 1.8 | VS undervoltage threshold hysteresis |   | VS  | $V_{Sth\_hys}$       |      | 0.3  |      | V       | A     |

\*) Type means: A = 100% tested, B = 100% correlation tested, C = Characterized on samples, D = Design parameter

## 9. Electrical Characteristics (Continued)

5V < V<sub>S</sub> < 27V, -40°C < T<sub>J</sub> < 150°C, unless otherwise specified. All values refer to GND pins

| No.                               | Parameters                              | Test Conditions   | Pin   | Symbol               | Min.                  | Typ. | Max.                   | Unit | Type* |
|-----------------------------------|---|---|-------|----------------------|-----------------------|------|------------------------|------|-------|
| <b>2 RXD Output Pin</b>           |   |   |       |                      |                       |      |                        |      |       |
| 2.1                               | Low-level output sink current           | Normal Mode<br>V <sub>LIN</sub> = 0V<br>V <sub>RXD</sub> = 0.4V   | RXD   | I <sub>RXD</sub>     | 1.3                   | 2.5  | 8                      | mA   | A     |
| 2.2                               | Low-level output voltage                | I <sub>RXD</sub> = 1 mA   | RXD   | V <sub>RXDL</sub>    |                       |      | 0.4                    | V    | A     |
| 2.3                               | Internal resistor to PVCC               |   | RXD   | R <sub>RXD</sub>     | 3                     | 5    | 7                      | kΩ   | A     |
| <b>3 TXD Input/Output Pin</b>     |   |   |       |                      |                       |      |                        |      |       |
| 3.1                               | Low-level voltage input                 |   | TXD   | V <sub>TXDL</sub>    | -0.3                  |      | +0.8                   | V    | A     |
| 3.2                               | High-level voltage input                |   | TXD   | V <sub>TXDH</sub>    | 2                     |      | V <sub>CC</sub> + 0.3V | V    | A     |
| 3.3                               | Pull-up resistor                        | V <sub>TXD</sub> = 0V   | TXD   | R <sub>TXD</sub>     | 125                   | 250  | 400                    | kΩ   | A     |
| 3.4                               | High-level leakage current              | V <sub>TXD</sub> = V <sub>CC</sub>  | TXD   | I <sub>TXD</sub>     | -3                    |      | +3                     | μA   | A     |
| 3.5                               | Low-level output sink current           | Fail-safe Mode, wake up<br>V <sub>LIN</sub> = V <sub>S</sub><br>V <sub>WAKE</sub> = 0V<br>V <sub>TXD</sub> = 0.4V | TXD   | I <sub>TXDwake</sub> | 2                     | 2.5  | 8                      | mA   | A     |
| <b>4 EN Input Pin</b>             |   |   |       |                      |                       |      |                        |      |       |
| 4.1                               | Low-level voltage input                 |   | EN    | V <sub>ENL</sub>     | -0.3                  |      | +0.8                   | V    | A     |
| 4.2                               | High-level voltage input                |   | EN    | V <sub>ENH</sub>     | 2                     |      | V <sub>CC</sub> + 0.3V | V    | A     |
| 4.3                               | Pull-down resistor                      | V <sub>EN</sub> = V <sub>CC</sub>   | EN    | R <sub>EN</sub>      | 50                    | 125  | 200                    | kΩ   | A     |
| 4.4                               | Low-level input current                 | V <sub>EN</sub> = 0V  | EN    | I <sub>EN</sub>      | -3                    |      | +3                     | μA   | A     |
| <b>5 NTRIG Watchdog Input Pin</b> |   |   |       |                      |                       |      |                        |      |       |
| 5.1                               | Low-level voltage input                 |   | NTRIG | V <sub>NTRIGL</sub>  | -0.3                  |      | +0.8                   | V    | A     |
| 5.2                               | High-level voltage input                |   | NTRIG | V <sub>NTRIGH</sub>  | 2                     |      | V <sub>CC</sub> + 0.3V | V    | A     |
| 5.3                               | Pull-up resistor                        | V <sub>NTRIG</sub> = 0V   | NTRIG | R <sub>NTRIG</sub>   | 125                   | 250  | 400                    | kΩ   | A     |
| 5.4                               | High-level leakage current              | V <sub>NTRIG</sub> = V <sub>CC</sub>  | NTRIG | I <sub>NTRIG</sub>   | -3                    |      | +3                     | μA   | A     |
| <b>6 Mode Input Pin</b>           |   |   |       |                      |                       |      |                        |      |       |
| 6.1                               | Low-level voltage input                 |   | MODE  | V <sub>MODEL</sub>   | -0.3                  |      | +0.8                   | V    | A     |
| 6.2                               | High-level voltage input                |   | MODE  | V <sub>MODEH</sub>   | 2                     |      | V <sub>CC</sub> + 0.3V | V    | A     |
| 6.3                               | High-level leakage current              | V <sub>MODE</sub> = V <sub>CC</sub> or<br>V <sub>MODE</sub> = 0V  | MODE  | I <sub>MODE</sub>    | -3                    |      | +3                     | μA   | A     |
| <b>7 INH Output Pin</b>           |   |   |       |                      |                       |      |                        |      |       |
| 7.1                               | High-level voltage                      | I <sub>INH</sub> = -15 mA   | INH   | V <sub>INHH</sub>    | V <sub>S</sub> - 0.75 |      | V <sub>S</sub>         | V    | A     |
| 7.2                               | Switch-on resistance between VS and INH |   | INH   | R <sub>INH</sub>     |                       | 30   | 50                     | Ω    | A     |
| 7.3                               | Leakage current                         | Sleep Mode<br>V <sub>INH</sub> = 0V/27V, V <sub>S</sub> = 27V   | INH   | I <sub>INHL</sub>    | -3                    |      | +3                     | μA   | A     |
| <b>8 LIN Bus Driver</b>           |   |   |       |                      |                       |      |                        |      |       |
| 8.1                               | Driver recessive output voltage         | Load1/Load2   | LIN   | V <sub>BUSrec</sub>  | 0.9 × V <sub>S</sub>  |      | V <sub>S</sub>         | V    | A     |
| 8.2                               | Driver dominant voltage                 | V <sub>VS</sub> = 7V<br>R <sub>load</sub> = 500 Ω   | LIN   | V <sub>LoSUP</sub>   |                       |      | 1.2                    | V    | A     |

\*) Type means: A = 100% tested, B = 100% correlation tested, C = Characterized on samples, D = Design parameter



## 9. Electrical Characteristics (Continued)

5V < V<sub>S</sub> < 27V, -40°C < T<sub>j</sub> < 150°C, unless otherwise specified. All values refer to GND pins

| No.      | Parameters  | Test Conditions   | Pin | Symbol                   | Min.                   | Typ.                 | Max.                   | Unit | Type* |
|----------|---|---|-----|--------------------------|------------------------|----------------------|------------------------|------|-------|
| 8.3      | Driver dominant voltage   | V <sub>VS</sub> = 18V<br>R <sub>load</sub> = 500 Ω  | LIN | V <sub>HiSUP</sub>       |                        |                      | 2                      | V    | A     |
| 8.4      | Driver dominant voltage   | V <sub>VS</sub> = 7.0V<br>R <sub>load</sub> = 1000 Ω  | LIN | V <sub>LoSUP_1k</sub>    | 0.6                    |                      |                        | V    | A     |
| 8.5      | Driver dominant voltage   | V <sub>VS</sub> = 18V<br>R <sub>load</sub> = 1000 Ω   | LIN | V <sub>HiSUP_1k</sub>    | 0.8                    |                      |                        | V    | A     |
| 8.6      | Pull-up resistor to VS  | The serial diode is mandatory   | LIN | R <sub>LIN</sub>         | 20                     | 30                   | 47                     | kΩ   | A     |
| 8.7      | Voltage drop at the serial diodes   | In pull-up path with R <sub>slave</sub><br>I <sub>SerDiode</sub> = 10 mA  | LIN | V <sub>SerDiode</sub>    | 0.4                    |                      | 1.0                    | V    | D     |
| 8.8      | LIN current limitation<br>V <sub>BUS</sub> = V <sub>Batt_max</sub>  |   | LIN | I <sub>BUS_LIM</sub>     | 70                     | 120                  | 200                    | mA   | A     |
| 8.9      | Input leakage current at the receiver including pull-up resistor as specified   | Input leakage current<br>Driver off<br>V <sub>BUS</sub> = 0V<br>V <sub>Batt</sub> = 12V                           | LIN | I <sub>BUS_PAS_dom</sub> | -1                     | -0.35                |                        | mA   | A     |
| 8.10     | Leakage current LIN recessive   | Driver off<br>8V < V <sub>Batt</sub> < 18V<br>8V < V <sub>BUS</sub> < 18V<br>V <sub>BUS</sub> ≥ V <sub>Batt</sub> | LIN | I <sub>BUS_PAS_rec</sub> |                        | 10                   | 20                     | μA   | A     |
| 8.11     | Leakage current at GND loss, control unit disconnected from ground. Loss of local ground must not affect communication in the residual network.           | GND <sub>Device</sub> = V <sub>S</sub><br>V <sub>Batt</sub> = 12V<br>0V < V <sub>BUS</sub> < 18V                  | LIN | I <sub>BUS_NO_gnd</sub>  | -10                    | +0.5                 | +10                    | μA   | A     |
| 8.12     | Leakage current at loss of battery. Node has to sustain the current that can flow under this condition. Bus must remain operational under this condition. | V <sub>Batt</sub> disconnected<br>V <sub>SUP_Device</sub> = GND<br>0V < V <sub>BUS</sub> < 18V                    | LIN | I <sub>BUS_NO_bat</sub>  |                        | 0.1                  | 2                      | μA   | A     |
| 8.13     | Capacitance on pin LIN to GND   |   | LIN | C <sub>LIN</sub>         |                        |                      | 20                     | pF   | D     |
| <b>9</b> | <b>LIN Bus Receiver</b>   |   |     |                          |                        |                      |                        |      |       |
| 9.1      | Center of receiver threshold  | V <sub>BUS_CNT</sub> =<br>(V <sub>th_dom</sub> + V <sub>th_rec</sub> )/2  | LIN | V <sub>BUS_CNT</sub>     | 0.475 × V <sub>S</sub> | 0.5 × V <sub>S</sub> | 0.525 × V <sub>S</sub> | V    | A     |
| 9.2      | Receiver dominant state   | V <sub>EN</sub> = V <sub>CC</sub>   | LIN | V <sub>BUSdom</sub>      |                        |                      | 0.4 × V <sub>S</sub>   | V    | A     |
| 9.3      | Receiver recessive state  | V <sub>EN</sub> = V <sub>CC</sub>   | LIN | V <sub>BUSrec</sub>      | 0.6 × V <sub>S</sub>   |                      |                        | V    | A     |
| 9.4      | Receiver input hysteresis   | V <sub>hys</sub> = V <sub>th_rec</sub> - V <sub>th_dom</sub>  | LIN | V <sub>BUSHys</sub>      | 0.028 × V <sub>S</sub> | 0.1 × V <sub>S</sub> | 0.175 × V <sub>S</sub> | V    | A     |
| 9.5      | Pre_Wake detection LIN High-level input voltage   |   | LIN | V <sub>LINH</sub>        | V <sub>S</sub> - 2V    |                      | V <sub>S</sub> + 0.3V  | V    | A     |
| 9.6      | Pre_Wake detection LIN Low-level input voltage  | Activates the LIN receiver  | LIN | V <sub>LINL</sub>        | -27                    |                      | V <sub>S</sub> - 3.3V  | V    | A     |

\*) Type means: A = 100% tested, B = 100% correlation tested, C = Characterized on samples, D = Design parameter

## 9. Electrical Characteristics (Continued)

5V < V<sub>S</sub> < 27V, -40°C < T<sub>J</sub> < 150°C, unless otherwise specified. All values refer to GND pins

| No.  | Parameters   | Test Conditions   | Pin | Symbol   | Min.  | Typ. | Max.  | Unit | Type* |
|--|--|---|-----|--|-------|------|-------|------|-------|
| <b>10</b>  | <b>Internal Timers</b>   |   |     |  |       |      |       |      |       |
| 10.1   | Dominant time for wake-up via LIN bus  | V <sub>LIN</sub> = 0V   | LIN | t <sub>bus</sub>                                   | 30    | 90   | 150   | μs   | A     |
| 10.2   | Time delay for mode change from Fail-safe into Normal Mode via EN pin  | V <sub>EN</sub> = V <sub>CC</sub>   | EN  | t <sub>norm</sub>                                  | 5     | 15   | 20    | μs   | A     |
| 10.3   | Time delay for mode change from Normal Mode to Sleep Mode via EN pin   | V <sub>EN</sub> = 0V  | EN  | t <sub>sleep</sub>                                 | 2     | 7    | 12    | μs   | A     |
| 10.4   | TXD dominant time-out time   | V <sub>TXD</sub> = 0V   | TXD | t <sub>dom</sub>                                   | 27    | 55   | 70    | ms   | A     |
| 10.5   | Time delay for mode change from Silent Mode into Normal Mode via EN  | V <sub>EN</sub> = V <sub>CC</sub>   | EN  | t <sub>s_n</sub>                                   | 5     | 15   | 40    | μs   | A     |
| 10.6   | Monitoring time for wake-up over LIN bus   |   | LIN | t <sub>mon</sub>                                   | 6     | 10   | 15    | ms   | A     |
| <b>LIN Bus Driver AC Parameter with Different Bus Loads</b><br>Load 1 (small): 1 nF, 1 kΩ; Load 2 (large): 10 nF, 500Ω; R <sub>RXD</sub> = 5 kΩ, C <sub>RXD</sub> = 20 pF;<br>Load 3 (medium): 6.8 nF, 660Ω characterized on samples; 10.7 and 10.8 specifies the timing parameters for proper operation of 20 Kbit/s, 10.9 and 10.10 at 10.4 Kbit/s |  |   |     |  |       |      |       |      |       |
| 10.7   | Duty cycle 1   | $TH_{Rec(max)} = 0.744 \times V_S$<br>$TH_{Dom(max)} = 0.581 \times V_S$<br>V <sub>S</sub> = 7.0V to 18V<br>t <sub>Bit</sub> = 50 μs<br>$D1 = t_{bus\_rec(min)}/(2 \times t_{Bit})$ | LIN | D1   | 0.396 |      |       |      | A     |
| 10.8   | Duty cycle 2   | $TH_{Rec(min)} = 0.422 \times V_S$<br>$TH_{Dom(min)} = 0.284 \times V_S$<br>V <sub>S</sub> = 7.6V to 18V<br>t <sub>Bit</sub> = 50 μs<br>$D2 = t_{bus\_rec(max)}/(2 \times t_{Bit})$ | LIN | D2   |       |      | 0.581 |      | A     |
| 10.9   | Duty cycle 3   | $TH_{Rec(max)} = 0.778 \times V_S$<br>$TH_{Dom(max)} = 0.616 \times V_S$<br>V <sub>S</sub> = 7.0V to 18V<br>t <sub>Bit</sub> = 96 μs<br>$D3 = t_{bus\_rec(min)}/(2 \times t_{Bit})$ | LIN | D3   | 0.417 |      |       |      | A     |
| 10.10  | Duty cycle 4   | $TH_{Rec(min)} = 0.389 \times V_S$<br>$TH_{Dom(min)} = 0.251 \times V_S$<br>V <sub>S</sub> = 7.6V to 18V<br>t <sub>Bit</sub> = 96 μs<br>$D4 = t_{bus\_rec(max)}/(2 \times t_{Bit})$ | LIN | D4   |       |      | 0.590 |      | A     |
| 10.11  | Slope time falling and rising edge at LIN  | V <sub>S</sub> = 7.0V to 18V  | LIN | t <sub>SLOPE_fall</sub><br>t <sub>SLOPE_rise</sub> | 3.5   |      | 22.5  | μs   | A     |
| <b>11</b>  | <b>Receiver Electrical AC Parameters of the LIN Physical Layer, LIN Receiver, RXD Load Conditions (C<sub>RXD</sub>): 20 pF</b> |   |     |  |       |      |       |      |       |
| 11.1   | Propagation delay of receiver (Figure 9-1)   | V <sub>S</sub> = 7.0V to 18V<br>t <sub>rx_pd</sub> = max(t <sub>rx_pdr</sub> , t <sub>rx_pdf</sub> )  | RXD | t <sub>rx_pd</sub>                                 |       |      | 6     | μs   | A     |
| 11.2   | Symmetry of receiver propagation delay rising edge minus falling edge  | V <sub>S</sub> = 7.0V to 18V<br>t <sub>rx_sym</sub> = t <sub>rx_pdr</sub> - t <sub>rx_pdf</sub>   | RXD | t <sub>rx_sym</sub>                                | -2    |      | +2    | μs   | A     |

\*) Type means: A = 100% tested, B = 100% correlation tested, C = Characterized on samples, D = Design parameter

## 9. Electrical Characteristics (Continued)

5V < V<sub>S</sub> < 27V, -40°C < T<sub>J</sub> < 150°C, unless otherwise specified. All values refer to GND pins

| No.       | Parameters   | Test Conditions                                       | Pin    | Symbol               | Min.                | Typ. | Max.                  | Unit   | Type* |
|-----------|--|---|--------|----------------------|---------------------|------|-----------------------|--------|-------|
| <b>12</b> | <b>NRES Open Drain Output Pin</b>                  |   |        |                      |                     |      |                       |        |       |
| 12.1      | Low-level output voltage                           | V <sub>S</sub> ≥ 5.5V<br>I <sub>NRES</sub> = 1 mA     | NRES   | V <sub>NRESL</sub>   |                     |      | 0.14                  | V      | A     |
| 12.2      | Low-level output low                               | 10 kΩ to 5V<br>V <sub>CC</sub> = 0V                   | NRES   | V <sub>NRESLL</sub>  |                     |      | 0.14                  | V      | A     |
| 12.3      | Undervoltage reset time                            | V <sub>S</sub> ≥ 5.5V<br>C <sub>NRES</sub> = 20 pF    | NRES   | t <sub>reset</sub>   | 2                   | 4    | 6                     | ms     | A     |
| 12.4      | Reset debounce time for falling edge               | V <sub>S</sub> ≥ 5.5V<br>C <sub>NRES</sub> = 20 pF    | NRES   | t <sub>res_f</sub>   | 1.5                 |      | 10                    | μs     | A     |
| 12.5      | Switch off leakage current                         | V <sub>NRES</sub> = 5.5V                              | NRES   |                      | -3                  |      | +3                    | μA     | A     |
| <b>13</b> | <b>Watchdog Oscillator</b>                         |   |        |                      |                     |      |                       |        |       |
| 13.1      | Voltage at WD_OSC in Normal or Fail-safe Mode      | I <sub>WD_OSC</sub> = -200 μA<br>V <sub>VS</sub> ≥ 4V | WD_OSC | V <sub>WD_OSC</sub>  | 1.13                | 1.23 | 1.33                  | V      | A     |
| 13.2      | Possible values of resistor                        | Resistor ±1%  | WD_OSC | R <sub>OSC</sub>     | 34                  |      | 120                   | kΩ     | A     |
| 13.3      | Oscillator period                                  | R <sub>OSC</sub> = 34 kΩ                              |        | t <sub>OSC</sub>     | 10.65               | 13.3 | 15.97                 | μs     | A     |
| 13.4      | Oscillator period                                  | R <sub>OSC</sub> = 51 kΩ                              |        | t <sub>OSC</sub>     | 15.68               | 19.6 | 23.52                 | μs     | A     |
| 13.5      | Oscillator period                                  | R <sub>OSC</sub> = 91 kΩ                              |        | t <sub>OSC</sub>     | 26.83               | 33.5 | 40.24                 | μs     | A     |
| 13.6      | Oscillator period                                  | R <sub>OSC</sub> = 120 kΩ                             |        | t <sub>OSC</sub>     | 34.2                | 42.8 | 51.4                  | μs     | A     |
| <b>14</b> | <b>Watchdog Timing Relative to t<sub>osc</sub></b> |   |        |                      |                     |      |                       |        |       |
| 14.1      | Watchdog lead time after Reset                     |   |        | t <sub>d</sub>       |                     | 7895 |                       | cycles | A     |
| 14.2      | Watchdog closed window                             |   |        | t <sub>1</sub>       |                     | 1053 |                       | cycles | A     |
| 14.3      | Watchdog open window                               |   |        | t <sub>2</sub>       |                     | 1105 |                       | cycles | A     |
| 14.4      | Watchdog reset time NRES                           |   | NRES   | t <sub>nres</sub>    | 3.2                 | 4    | 4.8                   | ms     | A     |
| <b>15</b> | <b>KL_15 Pin</b>                                   |   |        |                      |                     |      |                       |        |       |
| 15.1      | High-level input voltage<br>R <sub>V</sub> = 47 kΩ | Positive edge initializes a wake-up                   | KL_15  | V <sub>KL_15H</sub>  | 4                   |      | V <sub>S</sub> + 0.3V | V      | A     |
| 15.2      | Low-level input voltage<br>R <sub>V</sub> = 47 kΩ  |   | KL_15  | V <sub>KL_15L</sub>  | -1                  |      | +2                    | V      | A     |
| 15.3      | KL_15 pull-down current                            | V <sub>S</sub> < 27V<br>V <sub>KL_15</sub> = 27V      | KL_15  | I <sub>KL_15</sub>   |                     | 50   | 60                    | μA     | A     |
| 15.4      | Internal debounce time                             | Without external capacitor                            | KL_15  | Tdb <sub>KL_15</sub> | 80                  | 160  | 250                   | μs     | A     |
| 15.5      | KL_15 wake-up time                                 | R <sub>V</sub> = 47 kΩ, C = 100 nF                    | KL_15  | TW <sub>KL_15</sub>  | 0.4                 | 2    | 4.5                   | ms     | C     |
| <b>16</b> | <b>WAKE Pin</b>                                    |   |        |                      |                     |      |                       |        |       |
| 16.1      | High-level input voltage                           |   | WAKE   | V <sub>WAKEH</sub>   | V <sub>S</sub> - 1V |      | V <sub>S</sub> + 0.3V | V      | A     |
| 16.2      | Low-level input voltage                            | Initializes a wake-up signal                          | WAKE   | V <sub>WAKEL</sub>   | -1                  |      | V <sub>S</sub> - 3.3V | V      | A     |
| 16.3      | WAKE pull-up current                               | V <sub>S</sub> < 27V, V <sub>WAKE</sub> = 0V          | WAKE   | I <sub>WAKE</sub>    | -30                 | -10  |                       | μA     | A     |
| 16.4      | High-level leakage current                         | V <sub>S</sub> = 27V, V <sub>WAKE</sub> = 27V         | WAKE   | I <sub>WAKEL</sub>   | -5                  |      | +5                    | μA     | A     |
| 16.5      | Time of low pulse for wake-up via WAKE pin         | V <sub>WAKE</sub> = 0V                                | WAKE   | I <sub>WAKEL</sub>   | 30                  | 70   | 150                   | μs     | A     |

\*) Type means: A = 100% tested, B = 100% correlation tested, C = Characterized on samples, D = Design parameter

## 9. Electrical Characteristics (Continued)

5V < V<sub>S</sub> < 27V, -40°C < T<sub>J</sub> < 150°C, unless otherwise specified. All values refer to GND pins

| No.   | Parameters   | Test Conditions   | Pin     | Symbol                | Min.                            | Typ. | Max.  | Unit | Type* |
|---|--|---|---------|-----------------------|---------------------------------|------|-------|------|-------|
| <b>17 VCC Voltage Regulator ATA6628 in Normal/Fail-safe and Silent Mode, VCC and PVCC Short-circuited</b> |  |   |         |                       |                                 |      |       |      |       |
| 17.1  | Output voltage VCC   | 4V < V <sub>S</sub> < 18V<br>(0 mA to 50 mA)  | VCC     | VCC <sub>nor</sub>    | 3.234                           |      | 3.366 | V    | A     |
| 17.2  | Output voltage VCC at low VS                               | 3V < V <sub>S</sub> < 4V  | VCC     | VCC <sub>low</sub>    | V <sub>S</sub> - V <sub>D</sub> |      | 3.366 | V    | A     |
| 17.3  | Regulator drop voltage                                     | V <sub>S</sub> > 3V, I <sub>VCC</sub> = -15 mA  | VS, VCC | V <sub>D</sub>        |                                 |      | 200   | mV   | A     |
| 17.4  | Regulator drop voltage                                     | V <sub>S</sub> > 3V, I <sub>VCC</sub> = -50 mA  | VS, VCC | V <sub>D</sub>        |                                 | 500  | 700   | mV   | A     |
| 17.5  | Line regulation  | 4V < V <sub>S</sub> < 18V   | VCC     | VCC <sub>line</sub>   |                                 | 0.1  | 0.2   | %    | A     |
| 17.6  | Load regulation  | 5 mA < I <sub>VCC</sub> < 50 mA   | VCC     | VCC <sub>load</sub>   |                                 | 0.1  | 0.5   | %    | A     |
| 17.7  | Power supply ripple rejection                              | 10 Hz to 100 kHz<br>C <sub>VCC</sub> = 10 μF<br>V <sub>S</sub> = 14V, I <sub>VCC</sub> = -15 mA | VCC     |                       | 50                              |      |       | dB   | D     |
| 17.8  | Output current limitation                                  | V <sub>S</sub> > 4V   | VCC     | I <sub>VCClim</sub>   | -240                            | -160 | -85   | mA   | A     |
| 17.9  | Load capacity  | 0.2Ω < ESR < 5Ω at<br>100 kHz   | VCC     | C <sub>load</sub>     | 1.8                             | 10   |       | μF   | D     |
| 17.10   | VCC undervoltage threshold                                 | Referred to VCC<br>V <sub>S</sub> > 4V  | VCC     | V <sub>thunN</sub>    | 2.8                             |      | 3.2   | V    | A     |
| 17.11   | Hysteresis of undervoltage threshold                       | Referred to VCC<br>V <sub>S</sub> > 4V  | VCC     | V <sub>hys</sub> thun |                                 | 150  |       | mV   | A     |
| 17.12   | Ramp-up time V <sub>S</sub> > 4V to V <sub>CC</sub> = 3.3V | C <sub>VCC</sub> = 2.2 μF<br>I <sub>load</sub> = -5 mA at VCC                                   | VCC     | T <sub>VCC</sub>      |                                 | 320  | 500   | μs   | A     |
| <b>18 VCC Voltage Regulator ATA6630 in Normal/Fail-safe and Silent Mode, VCC and PVCC Short-circuited</b> |  |   |         |                       |                                 |      |       |      |       |
| 18.1  | Output voltage VCC   | 5.5V < V <sub>S</sub> < 18V<br>(0 mA to 50 mA)  | VCC     | VCC <sub>nor</sub>    | 4.9                             |      | 5.1   | V    | A     |
| 18.2  | Output voltage VCC at low VS                               | 4V < V <sub>S</sub> < 5.5V  | VCC     | VCC <sub>low</sub>    | V <sub>S</sub> - V <sub>D</sub> |      | 5.1   | V    | A     |
| 18.3  | Regulator drop voltage                                     | V <sub>S</sub> > 4V, I <sub>VCC</sub> = -20 mA  | VS, VCC | V <sub>D1</sub>       |                                 |      | 250   | mV   | A     |
| 18.4  | Regulator drop voltage                                     | V <sub>S</sub> > 4V, I <sub>VCC</sub> = -50 mA  | VS, VCC | V <sub>D2</sub>       |                                 | 400  | 600   | mV   | A     |
| 18.5  | Regulator drop voltage                                     | V <sub>S</sub> > 3.3V, I <sub>VCC</sub> = -15 mA  | VS, VCC | V <sub>D3</sub>       |                                 |      | 200   | mV   | A     |
| 18.6  | Line regulation  | 5.5V < V <sub>S</sub> < 18V   | VCC     | VCC <sub>line</sub>   |                                 | 0.1  | 0.2   | %    | A     |
| 18.7  | Load regulation  | 5 mA < I <sub>VCC</sub> < 50 mA<br>100 kHz  | VCC     | VCC <sub>load</sub>   |                                 | 0.1  | 0.5   | %    | A     |
| 18.8  | Power supply ripple rejection                              | 10 Hz to 100 kHz<br>C <sub>VCC</sub> = 10 μF<br>V <sub>S</sub> = 14V, I <sub>VCC</sub> = -15 mA | VCC     |                       | 50                              |      |       | dB   | D     |
| 18.9  | Output current limitation                                  | V <sub>S</sub> > 5.5V   | VCC     | I <sub>VCClim</sub>   | -240                            | -130 | -85   | mA   | A     |
| 18.10   | Load capacity  | 0.2Ω < ESR < 5Ω at<br>100 kHz   | VCC     | V <sub>thunN</sub>    | 1.8                             | 10   |       | μF   | D     |
| 18.11   | VCC undervoltage threshold                                 | Referred to VCC<br>V <sub>S</sub> > 5.5V  | VCC     | V <sub>thunN</sub>    | 4.2                             |      | 4.8   | V    | A     |
| 18.12   | Hysteresis of undervoltage threshold                       | Referred to VCC<br>V <sub>S</sub> > 5.5V  | VCC     | V <sub>hys</sub> thun |                                 | 250  |       | mV   | A     |
| 18.13   | Ramp-up time V <sub>S</sub> > 5.5V to V <sub>CC</sub> = 5V | C <sub>VCC</sub> = 2.2 μF<br>I <sub>load</sub> = -5 mA at VCC                                   | VCC     | t <sub>VCC</sub>      |                                 | 370  | 600   | μs   | A     |

\*) Type means: A = 100% tested, B = 100% correlation tested, C = Characterized on samples, D = Design parameter

## 9. Electrical Characteristics (Continued)

5V < V<sub>S</sub> < 27V, -40°C < T<sub>J</sub> < 150°C, unless otherwise specified. All values refer to GND pins

| No.       | Parameters   | Test Conditions  | Pin     | Symbol               | Min. | Typ. | Max.                  | Unit   | Type* |
|-----------|--|--|---------|----------------------|------|------|-----------------------|--------|-------|
| <b>19</b> | <b>DIV_ON Input Pin</b>                              |  |         |                      |      |      |                       |        |       |
| 19.1      | Low-level voltage input                              |  | DIV_ON  | V <sub>DIV_ON</sub>  | -0.3 |      | +0.8                  | V      | A     |
| 19.2      | High-level voltage input                             |  | DIV_ON  | V <sub>DIV_ON</sub>  | 2    |      | V <sub>CC</sub> + 0.3 | V      | A     |
| 19.3      | Pull-down resistor                                   | V <sub>DIV_ON</sub> = V <sub>CC</sub>  | DIV_ON  | R <sub>DIV_ON</sub>  | 125  | 250  | 400                   | kΩ     | A     |
| 19.4      | Low-level input current                              | V <sub>DIV_ON</sub> = 0V   | DIV_ON  | I <sub>DIV_ON</sub>  | -3   |      | +3                    | μA     | A     |
| <b>20</b> | <b>SP_MODE Input Pin</b>                             |  |         |                      |      |      |                       |        |       |
| 20.1      | Low-level voltage input                              |  | SP_MODE | V <sub>SP_MODE</sub> | -0.3 |      | +0.8                  | V      | A     |
| 20.2      | High-level voltage input                             |  | SP_MODE | V <sub>SP_MODE</sub> | 2    |      | V <sub>CC</sub> + 0.3 | V      | A     |
| 20.3      | Pull-down resistor                                   | V <sub>SP_MODE</sub> = V <sub>CC</sub>   | SP_MODE | R <sub>SP_MODE</sub> | 50   | 125  | 200                   | kΩ     | A     |
| 20.4      | Low-level input current                              | V <sub>SP_MODE</sub> = 0V  | SP_MODE | I <sub>SP_MODE</sub> | -3   |      | +3                    | μA     | A     |
| <b>21</b> | <b>LIN Driver in High-speed Mode(VSP_Mode = VCC)</b> |  |         |                      |      |      |                       |        |       |
| 21.1      | Transmission Baud rate                               | V <sub>S</sub> = 7V to 18V<br>R <sub>LIN</sub> = 500Ω, C <sub>LIN</sub> = 600 pF | LIN     | SP                   | 115  |      |                       | kBaud  | C     |
| 21.2      | Slope time LIN falling edge                          | V <sub>S</sub> = 7V to 18V   | LIN     | t <sub>SL_fall</sub> |      | 1    | 2                     | μs     | A     |
| 21.3      | Slope time LIN rising edge, depending on RC-load     | V <sub>S</sub> = 14V<br>R <sub>LIN</sub> = 500Ω, C <sub>LIN</sub> = 600 pF       | LIN     | t <sub>SL_rise</sub> |      | 2    | 3                     | μs     | A     |
| <b>22</b> | <b>ATA6628 Voltage Divider</b>                       |  |         |                      |      |      |                       |        |       |
| 22.1      | Divider ratio  | V <sub>S</sub> = 5V to 18V   | PV      |                      |      | 1:6  |                       |        | A     |
| 22.2      | Divider ratio error                                  |  |         |                      | -2   |      | +2                    | %      | A     |
| 22.3      | Divider temperature drift                            |  |         |                      |      | 3    |                       | ppm/°C | C     |
| 22.4      | VBATT range of divider linearity                     |  | VBATT   |                      | 5    |      | 18                    | V      | A     |
| 22.5      | VBatt input current                                  | VBATT = 14V  | VBATT   |                      | 100  |      | 220                   | μA     | A     |
| 22.6      | Maximum output Voltage at PV                         | VBATT 18V to 40V   | VBATT   |                      | 3    | 3.1  | 3.5                   | V      | A     |
| 22.7      | Pin capacitance                                      |  | PV      |                      |      | 2    |                       | pF     |       |
| <b>23</b> | <b>ATA6630 Voltage Divider</b>                       |  |         |                      |      |      |                       |        |       |
| 23.1      | Divider ratio  | V <sub>S</sub> = 5V to 27V   | PV      |                      |      | 1:6  |                       |        | A     |
| 23.2      | Divider ratio error                                  |  |         |                      | -2   |      | +2                    | %      | A     |
| 23.3      | Divider temperature drift                            |  |         |                      |      | 3    |                       | ppm/°C | C     |
| 23.4      | VBATT range of divider linearity                     |  | VBATT   |                      | 5    |      | 27                    | V      | A     |
| 23.5      | VBatt input current                                  | VBATT = 14V  | VBATT   |                      | 100  |      | 220                   | μA     | A     |
| 23.6      | Maximum output Voltage at PV                         | VBATT 27V to 40V   | PV      |                      | 4.4  | 4.8  | 5.2                   | V      | A     |
| 23.7      | Pin capacitance                                      |  | PV      |                      |      | 2    |                       | pF     |       |

\*) Type means: A = 100% tested, B = 100% correlation tested, C = Characterized on samples, D = Design parameter

**Figure 9-1.** Definition of Bus Timing Characteristics

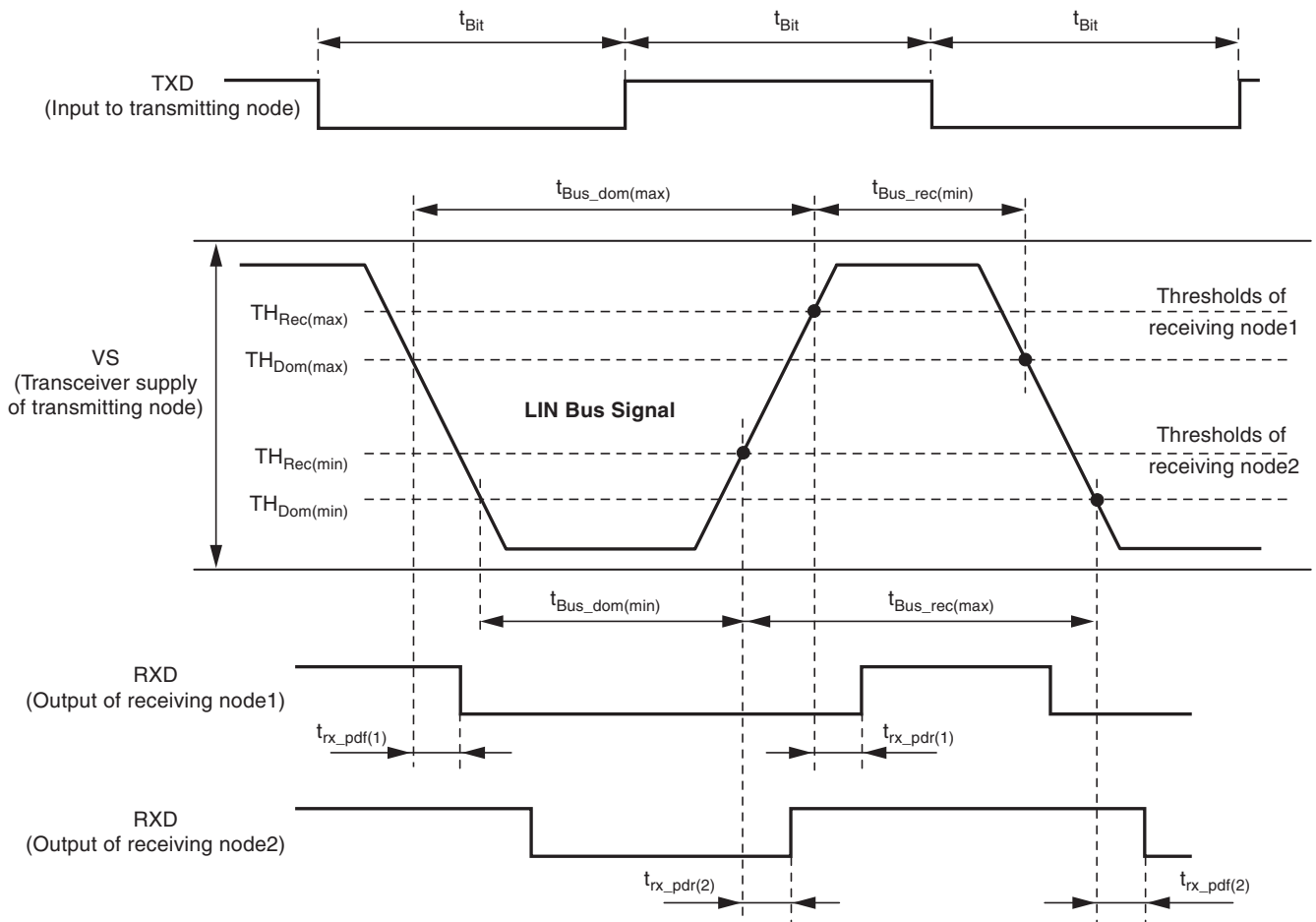
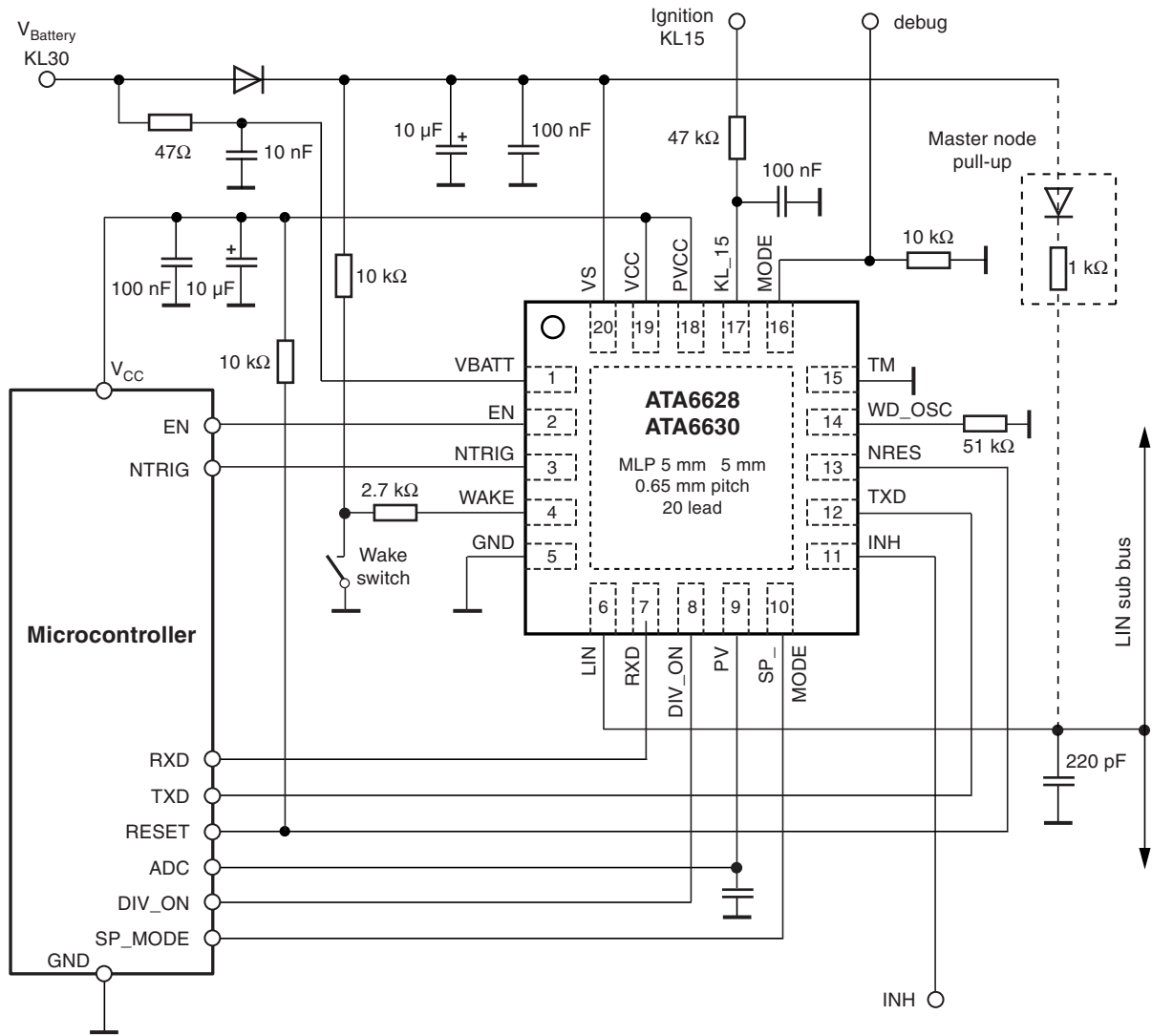
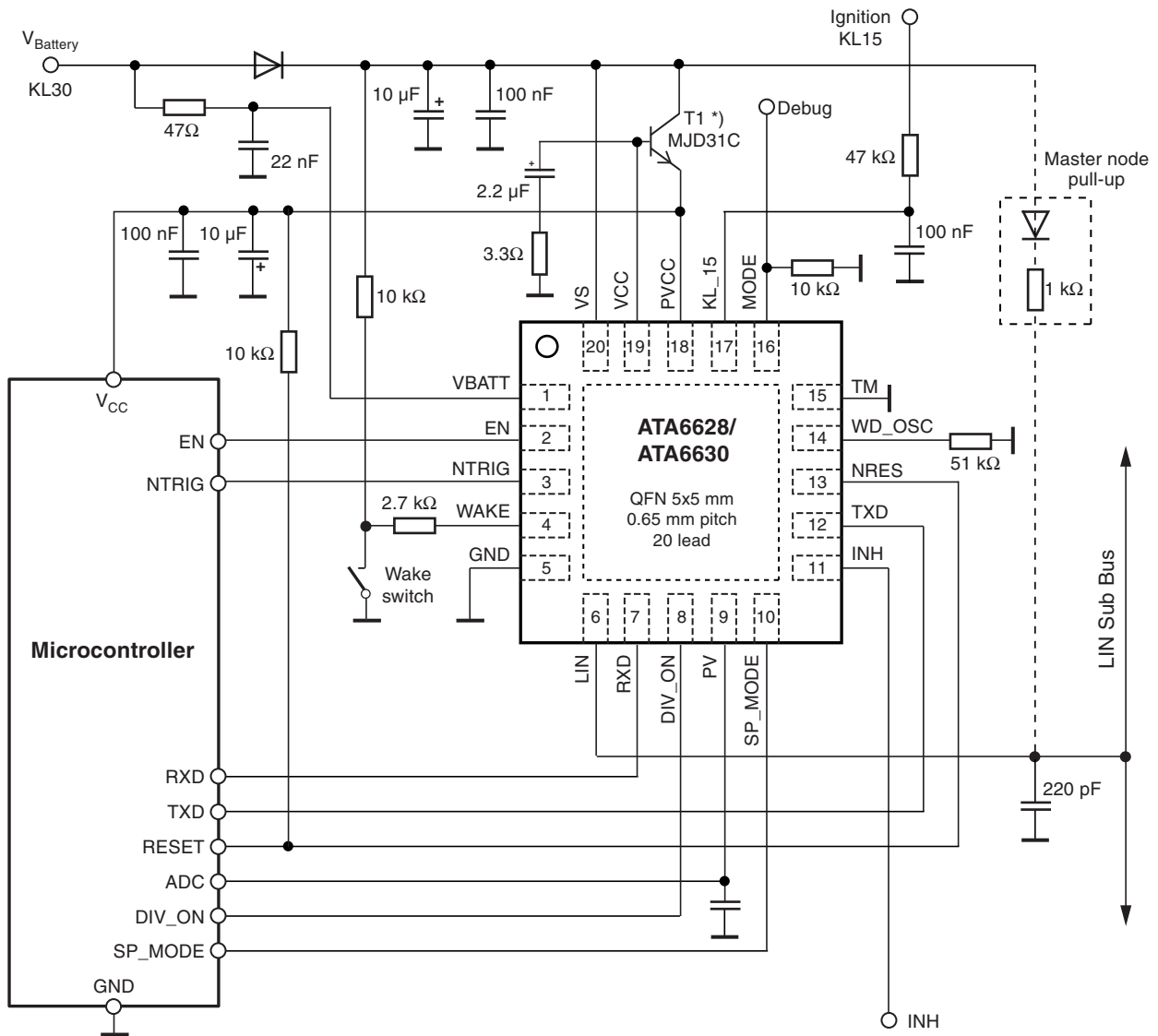


Figure 9-2. Typical Application Circuit



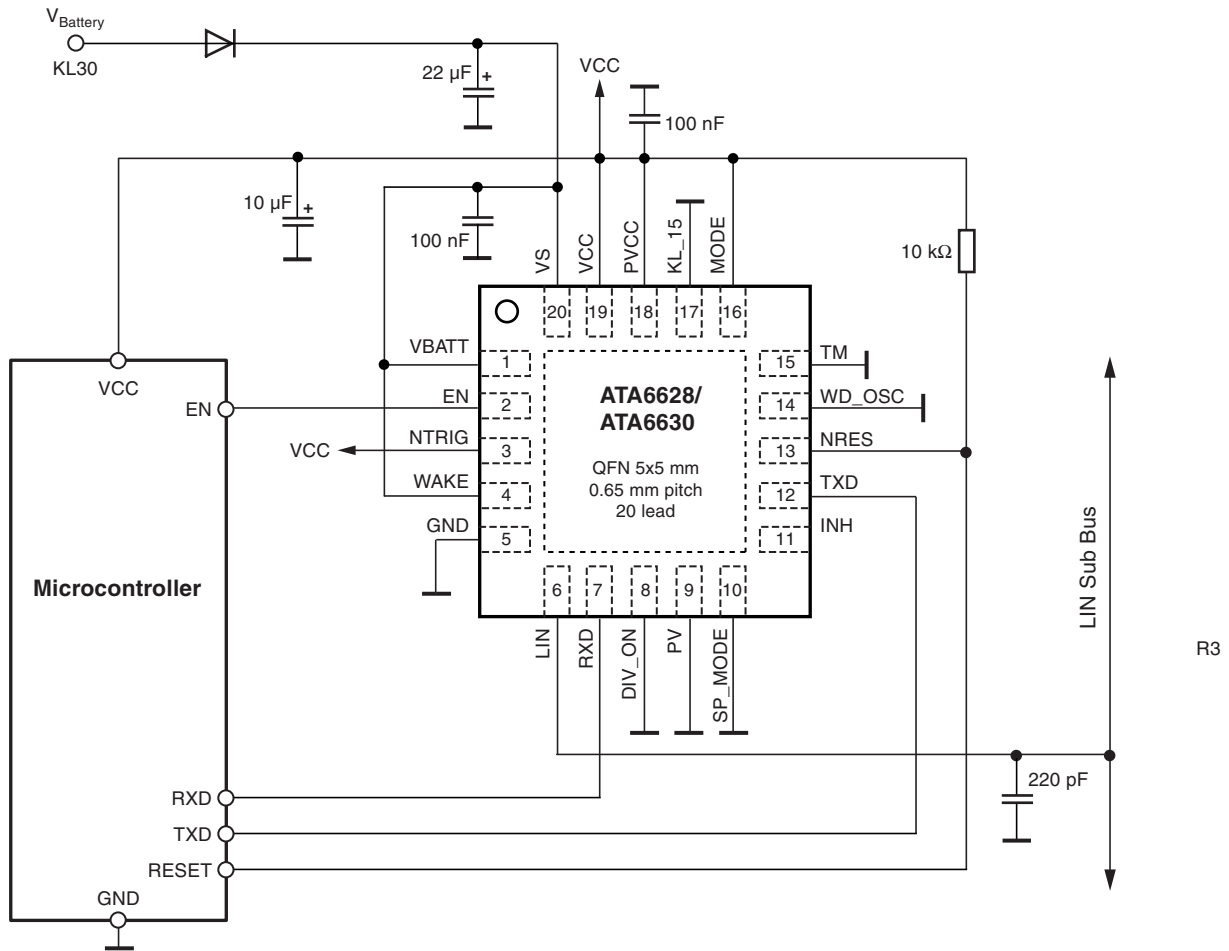
**Figure 9-3.** Application Circuit with External NPN-Transistor



\*) Note that the output voltage PVCC is no longer short-circuit protected when boosting the output current by an external NPN-transistor.



**Figure 9-4.** LIN Slave Application with Minimum External Devices



Note: No watchdog, no Battery voltage measurement, no local wake up, INH output not used

## 10. Ordering Information

| Extended Type Number | Package | Remarks   |
|----------------------|---------|---|
| ATA6628-PGPW         | QFN20   | 3.3V LIN system-basis-chip, Pb-free, 1.5k, taped and reeled |
| ATA6630-PGPW         | QFN20   | 5V LIN system-basis-chip, Pb-free, 1.5k, taped and reeled   |
| ATA6628-PGQW         | QFN20   | 3.3V LIN system-basis-chip, Pb-free, 6k, taped and reeled   |
| ATA6630-PGQW         | QFN20   | 5V LIN system-basis-chip, Pb-free, 6k, taped and reeled     |

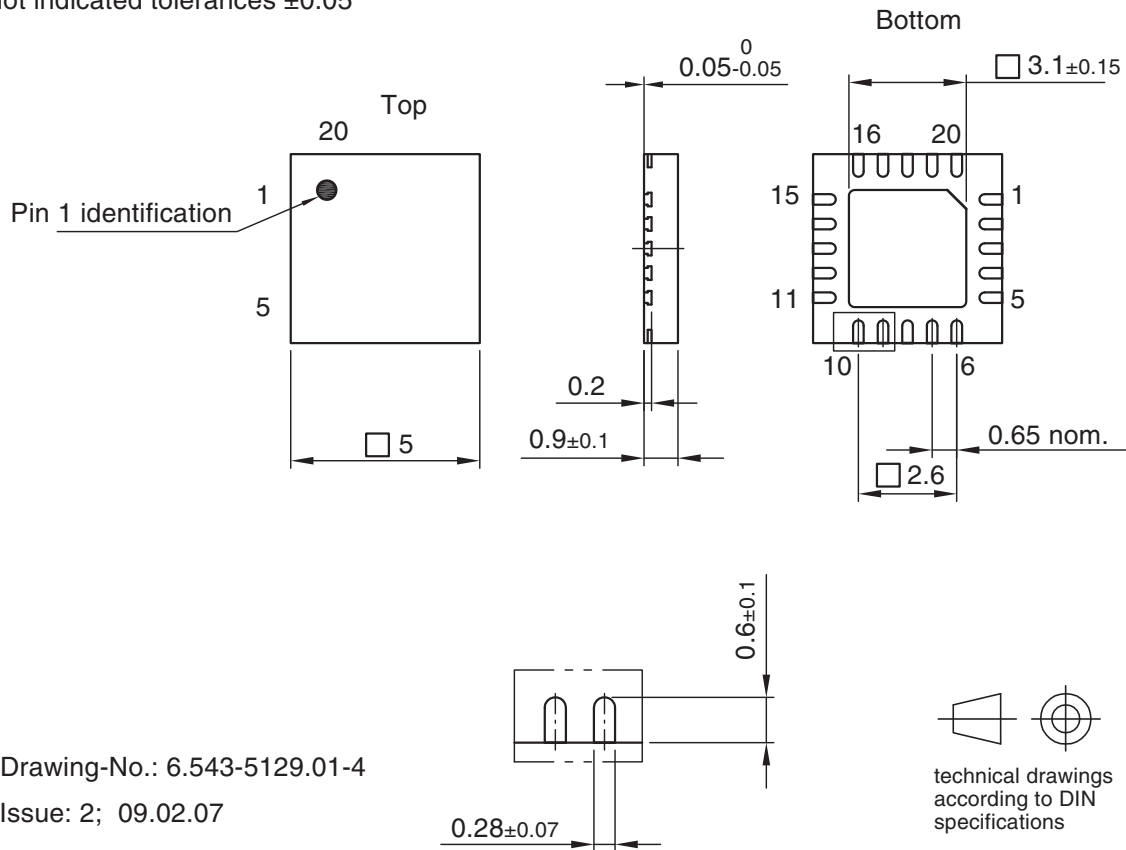
## 11. Package Information

Package: VQFN\_5 x 5\_20L

Exposed pad 3.1 x 3.1

Dimensions in mm

Not indicated tolerances  $\pm 0.05$



Drawing-No.: 6.543-5129.01-4

Issue: 2; 09.02.07

## 12. Revision History

Please note that the following page numbers referred to in this section refer to the specific revision mentioned, not to this document.

| Revision No.     | History   |
|------------------|---|
| 9117D-AUTO-05/10 | <ul style="list-style-type: none"> <li>• Features on page 1 changed</li> <li>• Pin Description table: row Pin 16 changed</li> <li>• Text under heading 3.3, 3.8, 3.11, 3.12, 4.2, 5.1, 5.5, 6 changed</li> <li>• Figures 4-5, 6-1 changed</li> <li>• Figure 9-1 heading changed</li> <li>• Figures 9-2 and 9-3 added</li> <li>• Abs.Max.Rat.Table -&gt; Parameter text in row “ESD according...” changed</li> <li>• Abs.Max.Rat.Table -&gt; Values in row “ESD HBM following...” changed</li> <li>• El.Char.Table -&gt; rows changed: 1.2, 1.3, 1.6, 1.7, 7.1,10.4, 17.12, 12.1, 12.2, 17.5, 17.6, 17.7, 17.8, 18.6, 18.7, 18.8, 18.9, 18.13, 11.5, 23.5</li> <li>• El.Char.Table -&gt; row 8.13 added</li> </ul>   |
| 9117C-AUTO-10/09 | <ul style="list-style-type: none"> <li>• Complete datasheet:<br/>“LIN 2.1 specification” changed in “LIN 2.0, 2.1 specification or “2.x”</li> <li>• Features on page 1 changed</li> <li>• Description text on page 1 changed</li> <li>• Pin Description table rows changed: 8, 11, 12</li> <li>• Sections changed:<br/>3.9, 3.10, 3.15, 3.20, 3.21, 4.1, 4.2, 4.3, 4-7, 5.1, 5.5, 5.6</li> <li>• New section 4.4 added<br/>(the following section numbers automatically changes...)</li> <li>• Table Abs. Max. Ratings: changes in following rows:<br/>WAKE, INH - DC voltage, ESD HBM following STM5.1</li> <li>• Table El. Characteristics: changes in following rows:<br/>1.2, 1.3, 7.2, 8.7, 8.11, 8.12, 13.1, 15.5, 17.9, 18.10, 21 to 23.7<br/>new rows 10.6, 12.5, 18.8 added (the following counting changed)<br/>row 20.5 deleted</li> <li>• Figure heading changed: 4-7</li> <li>• Figures changed: 1-1, 4-3, 4-4, 4-5, 4-6, 4-7, 9-2</li> <li>• Table headings changed: 3-1</li> </ul> |



## Headquarters

---

**Atmel Corporation**  
2325 Orchard Parkway  
San Jose, CA 95131  
USA  
Tel: 1(408) 441-0311  
Fax: 1(408) 487-2600

## International

---

**Atmel Asia**  
Unit 1-5 & 16, 19/F  
BEA Tower, Millennium City 5  
418 Kwun Tong Road  
Kwun Tong, Kowloon  
Hong Kong  
Tel: (852) 2245-6100  
Fax: (852) 2722-1369

**Atmel Europe**  
Le Krebs  
8, Rue Jean-Pierre Timbaud  
BP 309  
78054  
Saint-Quentin-en-Yvelines Cedex  
France  
Tel: (33) 1-30-60-70-00  
Fax: (33) 1-30-60-71-11

**Atmel Japan**  
9F, Tonetsu Shinkawa Bldg.  
1-24-8 Shinkawa  
Chuo-ku, Tokyo 104-0033  
Japan  
Tel: (81) 3-3523-3551  
Fax: (81) 3-3523-7581

## Product Contact

---

**Web Site**  
[www.atmel.com](http://www.atmel.com)

**Technical Support**  
[auto\\_control@atmel.com](mailto:auto_control@atmel.com)

**Sales Contact**  
[www.atmel.com/contacts](http://www.atmel.com/contacts)

**Literature Requests**  
[www.atmel.com/literature](http://www.atmel.com/literature)

---

**Disclaimer:** The information in this document is provided in connection with Atmel products. No license, express or implied, by estoppel or otherwise, to any intellectual property right is granted by this document or in connection with the sale of Atmel products. **EXCEPT AS SET FORTH IN ATMEL'S TERMS AND CONDITIONS OF SALE LOCATED ON ATMEL'S WEB SITE, ATMEL ASSUMES NO LIABILITY WHATSOEVER AND DISCLAIMS ANY EXPRESS, IMPLIED OR STATUTORY WARRANTY RELATING TO ITS PRODUCTS INCLUDING, BUT NOT LIMITED TO, THE IMPLIED WARRANTY OF MERCHANTABILITY, FITNESS FOR A PARTICULAR PURPOSE, OR NON-INFRINGEMENT. IN NO EVENT SHALL ATMEL BE LIABLE FOR ANY DIRECT, INDIRECT, CONSEQUENTIAL, PUNITIVE, SPECIAL OR INCIDENTAL DAMAGES (INCLUDING, WITHOUT LIMITATION, DAMAGES FOR LOSS OF PROFITS, BUSINESS INTERRUPTION, OR LOSS OF INFORMATION) ARISING OUT OF THE USE OR INABILITY TO USE THIS DOCUMENT, EVEN IF ATMEL HAS BEEN ADVISED OF THE POSSIBILITY OF SUCH DAMAGES.** Atmel makes no representations or warranties with respect to the accuracy or completeness of the contents of this document and reserves the right to make changes to specifications and product descriptions at any time without notice. Atmel does not make any commitment to update the information contained herein. Unless specifically provided otherwise, Atmel products are not suitable for, and shall not be used in, automotive applications. Atmel's products are not intended, authorized, or warranted for use as components in applications intended to support or sustain life.

© 2010 Atmel Corporation. All rights reserved. Atmel®, logo and combinations thereof, and others are registered trademarks or trademarks of Atmel Corporation or its subsidiaries. Other terms and product names may be trademarks of others.