

Product Overview

NCP6922C: 4 Channel Power Management IC (PMIC) with 2 DC-DC Converters and 2 LDOs

For complete documentation, see the data sheet

Product Description

The NCP6922C is part of the ON Semiconductor mini-power management IC family. It is optimized to supply battery powered portable application subsystems such as camera function, microprocessors, etc. This device integrates two high efficiency 800 mA step-down DC to DC converters with DVS (Dynamic Voltage Scaling) and two low dropout (LDO) voltage regulators in 4x4 mm 20 pins WQFN package.

Features

- Small package 2.46 x 2.06 mm
- Ultra low quiescent current (82 uA typ)
- Fully programmable by I²C
- Two low noise, low dropout regulators, programmable output voltage from 1.0 V to 3.3 V by 50 mV steps, 2 x 150 mA and output current capability, 50 uVrms typical low output noise
- Two DC-DC converters, efficiency 95%, programmable output voltage from 0.6 V to 3.3 V by 12.5 mV steps, 800 mA output current capability

Benefits

- Reduce PCB space
- Save battery life
- Offer design flexibility
- Offer design flexibility

Applications

- Battery powered applications power management
- Power supply for processor with low core voltage
- Camera modules
- Peripheral sub-systems
- USB powered devices

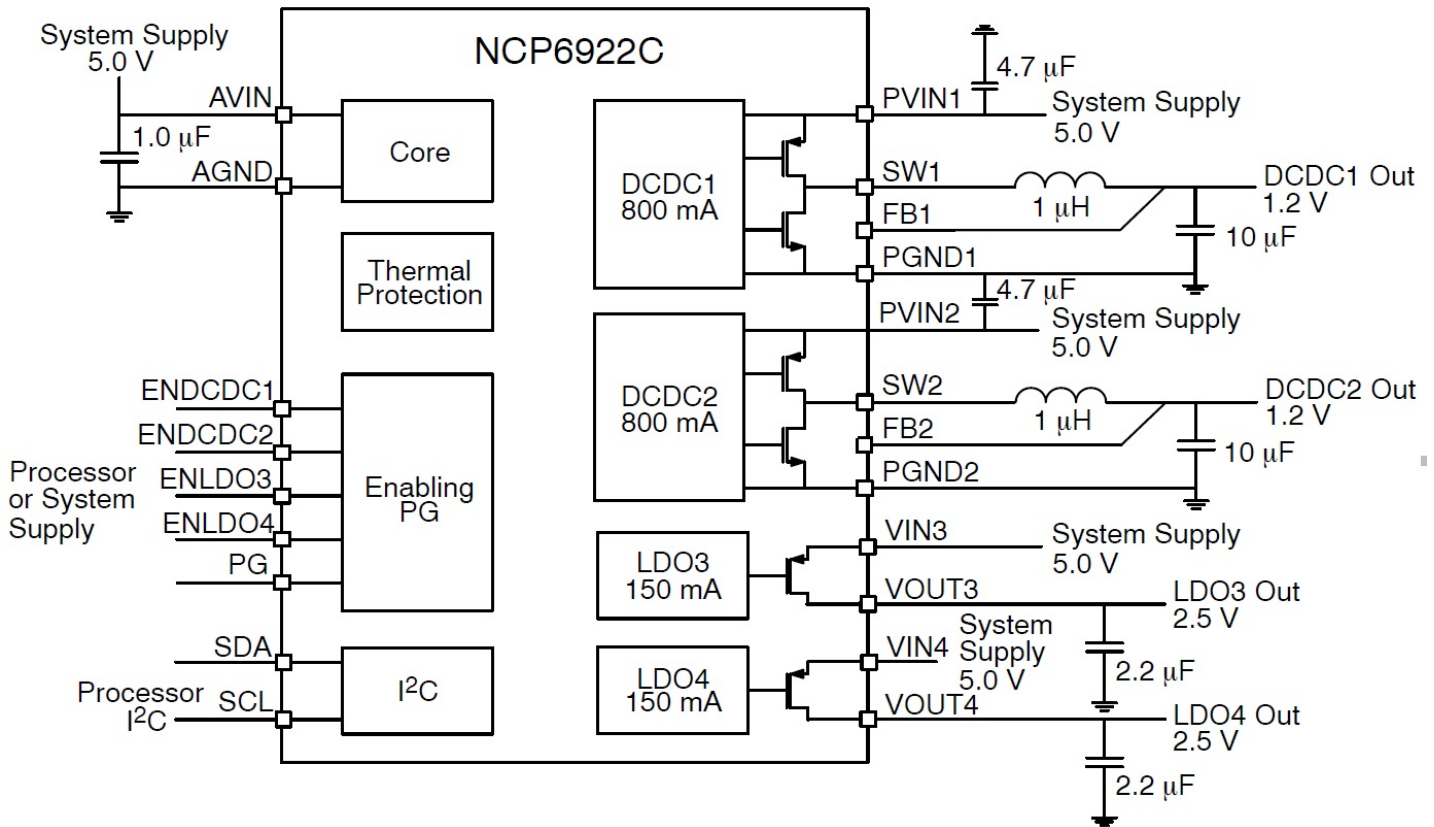
End Products

- Gaming systems
- Digital still cameras
- Set-top box
- GPS
- Car infotainment

Part Electrical Specifications

Product	Compliance	Status	Topology	Control Mode	V _{CC} Min (V)	V _{CC} Max (V)	V _o Typ (V)	I _o Typ (A)	Efficiency (%)	f _{sw} Typ (kHz)	Package Type
NCP6922CBMTTXG	Pb-free Halide free	Active	Step-Down	Voltage Mode	2.3	5.5	1.2	0.8	95	3000	WQFN-20
NCP6922CCMTTXG	Pb-free Halide free	Active	Step-Down	Voltage Mode	2.3	5.5	1.2	0.8	95	3000	WQFN-20

Application Diagram



For more information please contact your local sales support at www.onsemi.com

Created on: 3/11/2014