



Product Brief

Solder bond technology

Thyristor/Diode Modules in solder bond technology 1600V/34mm (TT, TD and DD topologies)

With the new 34 mm Bipolar modules in solder bond technology Infineon Bipolar wants to offer a cost effective alternative to the well known high reliable pressure contact technology.

The start-up portfolio contents 5 1600V modules types: 2 x TT , 2 x TD halfbridges and 1 x DD halfbridge. All new types offer the following

General features

- Standard industrial housing
- Direct copper bonded Al2O3 -ceramic
- Copper base plate

Customer benefits

- Cost saving package technology
- Stable lifetime expectation due to automated processes
- Excellent price performance ratio

Main Features

- Blocking Voltage
 $V_{DRM} = V_{RRM} = 1600\text{ V}$
- Housing Dimensions
Length = 94 mm
Height = 30 mm
Width = 34 mm

Applications

- Power Supplies
- Power Controllers
- Drives
- Soft Starters
- Static Switches
- Battery Chargers

www.ifbip-shop.com

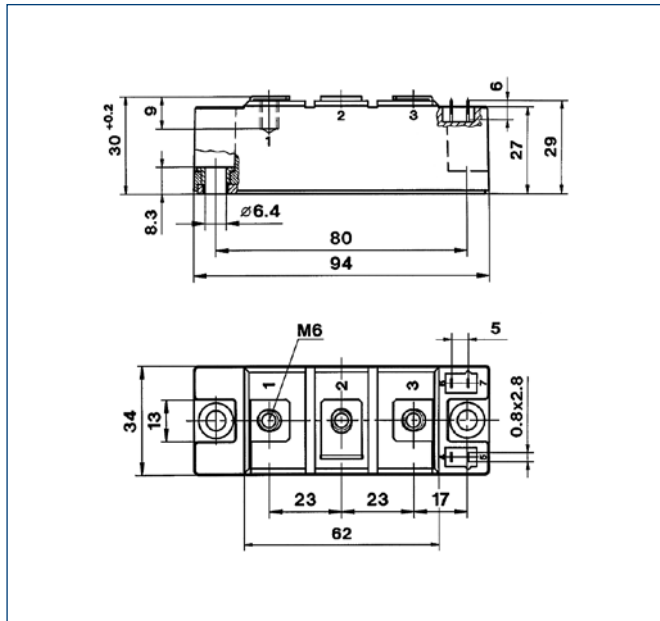
▶ Visit our webshop!



Solder bond technology

Thyristor/Diode Modules in solder bond technology 1600V/34mm

TT/TD and DD Outline dimensions



Sales Information

Part Number	Status	Ordering Code
TT140N16SOF	in production	On request
TT175N16SOF	in production	On request
TD140N16SOF	in production	On request
TD175N16SOF	in production	On request
DD170N16S	in production	On request

Published by
Infineon Technologies Bipolar GmbH & Co. KG
Max-Planck-Str. 5
59581 Warstein
Tel. +49 (0) 2902 98 99-0
Fax +49 (0) 2902 98 99-2482

© 2013 Infineon Technologies Bipolar GmbH & Co. KG.
All Rights Reserved.

Visit us:
www.ifbip.com · www.ifbip-shop.com

Order Number: B157-H9790-G1-X-7600
Date: 05 / 2014

Attention please!

The information given in this document shall in no event be regarded as a guarantee of conditions or characteristics ("Beschaffenheitsgarantie"). With respect to any examples or hints given herein, any typical values stated herein and/or any information regarding the application of the device, Infineon Technologies hereby disclaims any and all warranties and liabilities of any kind, including without limitation warranties of non-infringement of intellectual property rights of any third party.

Information

For further information on technology, delivery terms and conditions and prices please contact your nearest Infineon Technologies Office (www.infineon.com).

Warnings

Due to technical requirements components may contain dangerous substances. For information on the types in question please contact your nearest Infineon Technologies Office. Infineon Technologies Components may only be used in life-support devices or systems with the express written approval of Infineon Technologies, if a failure of such components can reasonably be expected to cause the failure of that life-support device or system, or to affect the safety or effectiveness of that device or system. Life support devices or systems are intended to be implanted in the human body, or to support and/or maintain and sustain and/or protect human life. If they fail, it is reasonable to assume that the health of the user or other persons may be endangered.