

# LMX2592 High Performance, Wideband PLLatinum™ RF Synthesizer with Integrated VCO

## 1 Features

- Output Frequency Range from 20 to 9800 MHz
- Industry Leading Phase Noise Performance
  - VCO Phase Noise:  $-134.5$  dBc/Hz at 1-MHz Offset for 6 GHz Output
  - Normalized PLL Noise Floor:  $-231$  dBc/Hz
  - Normalized PLL Flicker Noise:  $-126$  dBc/Hz
  - 49 fs RMS Jitter (12 kHz to 20 MHz) for 6 GHz Output
- Input Clock Frequency up to 1400 MHz
- Phase Detector Frequency up to 200 MHz, and up to 400 MHz in Integer-N Mode
- Supports Fractional-N and Integer-N Modes
- Dual Differential Outputs
- Innovative Solution to Reduce Spurs
- $< 25$ - $\mu$ s Fast Calibration Mode
- Programmable Phase Adjustment
- Programmable Charge Pump Current
- Programmable Output Power Level
- SPI or uWire (4-Wire Serial Interface)
- Single Power Supply Operation: 3.3 V

## 2 Applications

- Test/Measurement Equipment
- Defense and RADAR
- Microwave Backhaul
- High-Performance Clock Source for High-Speed Data Converters
- Satellite Communications

## 3 Description

The LMX2592 is a low-noise, wideband RF PLL with integrated VCO that supports a frequency range from 20 MHz to 9.8 GHz. The device supports both fractional-N and integer-N modes, with a 32-bit fractional divider allowing fine frequency selection. Integrated noise of 49 fs for 6 GHz output makes it an ideal low noise source. Combining best-in-class PLL and integrated VCO noise with integrated LDOs, this device removes the need for multiple discrete devices in high performance systems.

The device accepts input frequencies up to 1.4 GHz, which combined with frequency dividers and programmable low noise multiplier allows flexible frequency planning. The additional programmable low noise multiplier lets users mitigate the impact of integer boundary spurs. In Fractional-N mode, the device can adjust the output phase by a 32-bit resolution. For applications that need fast frequency changes, the device supports a fast calibration option which takes less than 25  $\mu$ s.

This performance is achieved by using single 3.3-V supply. It supports 2 flexible differential outputs that can be configured as single-ended outputs as well. Users can choose to program one output from the VCO (or doubler) and the second from the channel divider. When not being used, each output can be muted separately.

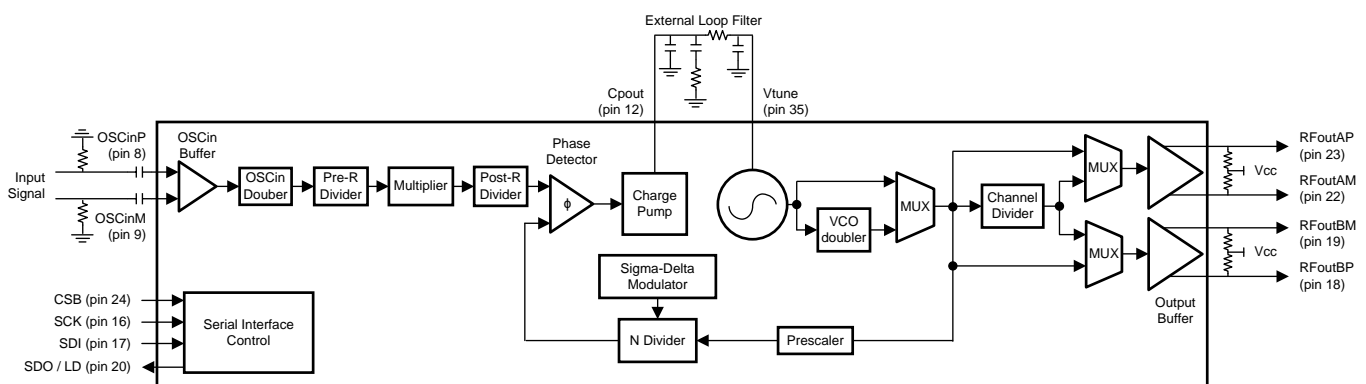
### Device Information (1)

PART NUMBER	DESCRIPTION	BODY SIZE (NOM)
LMX2592RHAT	WQFN (40)	6 mm x 6 mm
LMX2592RHAR		

(1) For all available packages, see the orderable addendum at the end of the datasheet.

(2) T = Tape; R = Reel

### Simplified Schematic



## Table of Contents

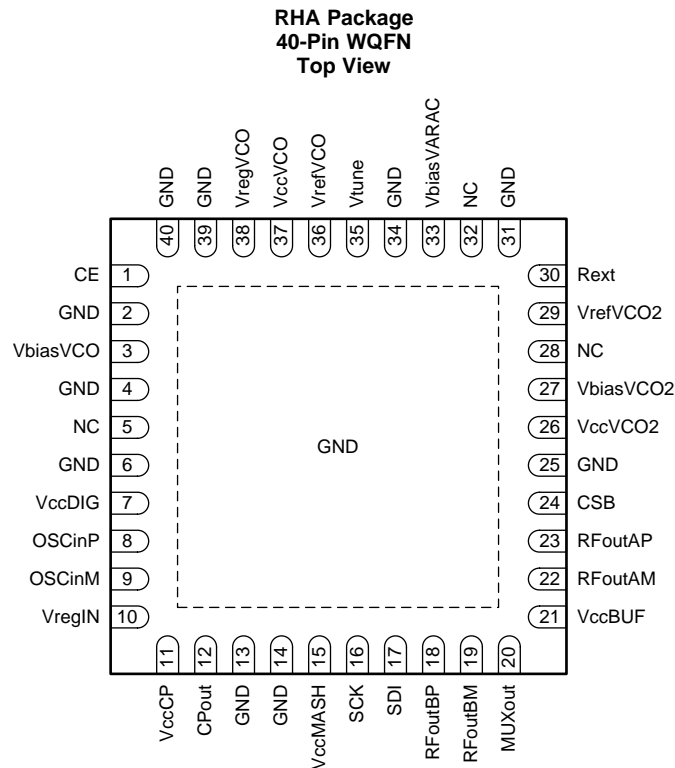
<b>1 Features</b> .....	<b>1</b>	7.5 Programming .....	17
<b>2 Applications</b> .....	<b>1</b>	7.6 Register Maps .....	18
<b>3 Description</b> .....	<b>1</b>	<b>8 Application and Implementation</b> .....	<b>26</b>
<b>4 Revision History</b> .....	<b>2</b>	8.1 Application Information.....	26
<b>5 Pin Configuration and Functions</b> .....	<b>3</b>	8.2 Typical Application .....	33
<b>6 Specifications</b> .....	<b>5</b>	<b>9 Power Supply Recommendations</b> .....	<b>35</b>
6.1 Absolute Maximum Ratings .....	5	<b>10 Layout</b> .....	<b>35</b>
6.2 ESD Ratings .....	5	10.1 Layout Guidelines .....	35
6.3 Recommended Operating Conditions.....	5	10.2 Layout Example .....	35
6.4 Thermal Information .....	5	<b>11 Device and Documentation Support</b> .....	<b>36</b>
6.5 Electrical Characteristics.....	6	11.1 Device Support .....	36
6.6 Timing Requirements .....	7	11.2 Documentation Support .....	36
6.7 Typical Characteristics .....	9	11.3 Community Resources.....	36
<b>7 Detailed Description</b> .....	<b>12</b>	11.4 Trademarks .....	36
7.1 Overview .....	12	11.5 Electrostatic Discharge Caution.....	36
7.2 Functional Block Diagram .....	12	11.6 Glossary .....	36
7.3 Functional Description.....	12	<b>12 Mechanical, Packaging, and Orderable Information</b> .....	<b>36</b>
7.4 Device Functional Modes.....	16		

## 4 Revision History

Changes from Revision A (December 2015) to Revision B	Page
• Added VCO Calibration Time to <i>Electrical Characteristics</i> .....	6
• Added registers 2, 4, and 62 to <i>Register Table</i> .....	19
• Changed register 38 in <i>Register Table</i> .....	19
• Added <i>R2 Register Field Descriptions</i> .....	20
• Added <i>R4 Register Field Descriptions</i> .....	20
• Added <i>R62 Register Field Descriptions</i> .....	25

Changes from Original (December 2015) to Revision A	Page
• Changed device status from product preview to production data, and released full data sheet .....	1

## 5 Pin Configuration and Functions



### Pin Functions

PIN		I/O	DESCRIPTION
NAME	NO.		
CE	1	Input	Chip Enable input. Active high powers on the device.
GND	2	Ground	VCO ground.
VbiasVCO	3	Bypass	VCO bias internal voltage, access for bypass. Requires connecting 10- $\mu$ F capacitor to VCO ground. Place close to pin.
GND	4	Ground	VCO ground.
NC	5	—	Not connected.
GND	6	Ground	Digital ground.
V <sub>CC</sub> DIG	7	Supply	Digital supply. Recommend connecting 0.1- $\mu$ F capacitor to digital ground.
OSCinP	8	Input	Differential reference input clock (+). High input impedance. Requires connecting series capacitor (0.1- $\mu$ F recommended).
OSCinM	9	Input	Differential reference input clock (-). High input impedance. Requires connecting series capacitor (0.1- $\mu$ F recommended).
VregIN	10	Bypass	Input reference path internal voltage, access for bypass. Requires connecting 1- $\mu$ F capacitor to ground. Place close to pin.
V <sub>CC</sub> CP	11	Supply	Charge pump supply. Recommend connecting 0.1- $\mu$ F capacitor to charge pump ground.
CPout	12	Output	Charge pump output. Recommend connecting C1 of loop filter close to pin.
GND	13	Ground	Charge pump ground.
GND	14	Ground	Digital ground.
V <sub>CC</sub> MASH	15	Supply	Digital supply. Recommend connecting 0.1- $\mu$ F and 10- $\mu$ F capacitor to digital ground.
SCK	16	Input	SPI or uWire clock. High impedance CMOS input. 1.8 to 3.3-V logic.
SDI	17	Input	SPI or uWire data. High impedance CMOS input. 1.8 to 3.3-V logic.
RFoutBP	18	Output	Differential output B (+). This output requires a pull up component for proper biasing. A 50- $\Omega$ resistor or inductor may be used. Place as close to output as possible.

**Pin Functions (continued)**

PIN		I/O	DESCRIPTION
NAME	NO.		
RFoutBM	19	Output	Differential output B (-). This output requires a pull up component for proper biasing. A 50-Ω resistor or inductor may be used. Place as close to output as possible.
MUXout	20	Output	Programmable with register MUXOUT_SEL to be readback SDO or lock detect indicator (active high).
V <sub>CC</sub> BUF	21	Supply	Output buffer supply. Requires connecting 0.1-μF capacitor to RFout ground.
RFoutAM	22	Output	Differential output A (-). This output requires a pull up component for proper biasing. A 50-Ω resistor or inductor may be used. Place as close to output as possible.
RFoutAP	23	Output	Differential output A (+). This output requires a pull up component for proper biasing. A 50-Ω resistor or inductor may be used. Place as close to output as possible.
CSB	24	Input	SPI chip select bar or uWire latch enable. High impedance CMOS input. 1.8 to 3.3-V logic.
GND	25	Ground	VCO ground.
V <sub>CC</sub> VCO2	26	Supply	VCO supply. Recommend connecting 0.1-μF and 10-μF capacitor to VCO ground.
V <sub>bias</sub> VCO2	27	Bypass	VCO bias internal voltage, access for bypass. Requires connecting 1-μF capacitor to VCO ground.
NC	28	—	Not connected.
V <sub>ref</sub> VCO2	29	Bypass	VCO supply internal voltage, access for bypass. Requires connecting 10-μF capacitor to VCO ground.
Rext	30	Bypass	External resistor connection. Requires connecting 680-Ω resistor to ground.
GND	31	Ground	VCO ground.
NC	32	—	Not connected.
V <sub>bias</sub> VARAC	33	Bypass	VCO varactor internal voltage, access for bypass. Requires connecting 10-μF capacitor to VCO ground.
GND	34	Ground	VCO ground.
V <sub>tune</sub>	35	Input	VCO tuning voltage input. This signal should be kept away from noise sources.
V <sub>ref</sub> VCO	36	Bypass	VCO supply internal voltage, access for bypass. Requires connecting 10-μF capacitor to ground.
V <sub>CC</sub> VCO	37	Supply	VCO supply. Recommend connecting 0.1-μF and 10-μF capacitor to ground.
V <sub>reg</sub> VCO	38	Bypass	VCO supply internal voltage, access for bypass. Requires connecting 1-μF capacitor to ground.
GND	39	Ground	VCO ground.
GND	40	Ground	VCO ground.
GND	DAP	Ground	RFout ground.

## 6 Specifications

### 6.1 Absolute Maximum Ratings

over operating free-air temperature range (unless otherwise noted)<sup>(1)</sup>

		MIN	MAX	UNIT
V <sub>CC</sub>	Power supply voltage	-0.3	3.6	V
V <sub>IN</sub>	Input voltage to pins other than V <sub>CC</sub> pins	-0.3	V <sub>CC</sub> + 0.3	V
V <sub>OSCIIn</sub>	Voltage on OSCIn (pin 8 and pin 9)	≤1.8 with V <sub>CC</sub> Applied, ≤1 with V <sub>CC</sub> =0		V <sub>pp</sub>
T <sub>L</sub>	Lead temperature (solder 4 sec.)		260	°C
T <sub>J</sub>	Junction temperature	-40	150	°C
T <sub>stg</sub>	Storage temperature	-65	150	°C

- (1) Stresses beyond those listed under *Absolute Maximum Ratings* may cause permanent damage to the device. These are stress ratings only, which do not imply functional operation of the device at these or any other conditions beyond those indicated under *Recommended Operating Conditions*. Exposure to absolute-maximum-rated conditions for extended periods may affect device reliability.

### 6.2 ESD Ratings

		VALUE	UNIT
V <sub>(ESD)</sub>	Electrostatic discharge	Human-body model (HBM), per ANSI/ESDA/JEDEC JS-001 <sup>(1)</sup>	±2500
		Charged-device model (CDM), per JEDEC specification JESD22-C101 <sup>(2)</sup>	±1250
		Machine model (MM) ESD stress voltage	±250

- (1) JEDEC document JEP155 states that 500-V HBM allows safe manufacturing with a standard ESD control process. Manufacturing with less than 500-V HBM is possible with the necessary precautions. Pins listed as ±2500 V may actually have higher performance.
- (2) JEDEC document JEP157 states that 250-V CDM allows safe manufacturing with a standard ESD control process. Manufacturing with less than 250-V CDM is possible with the necessary precautions. Pins listed as ±1250 V may actually have higher performance.

### 6.3 Recommended Operating Conditions

over operating free-air temperature range (unless otherwise noted)

		MIN	NOM	MAX	UNIT
V <sub>CC</sub>	Power supply voltage	3.15		3.45	V
T <sub>A</sub>	Ambient temperature	-40		85	°C
T <sub>J</sub>	Junction temperature			125	°C

### 6.4 Thermal Information

THERMAL METRIC <sup>(1)</sup>		LMX2592	UNIT
		RHA (WQFN)	
		40 PINS	
R <sub>θJA</sub>	Junction-to-ambient thermal resistance	30.5	°C/W
R <sub>θJC(top)</sub>	Junction-to-case (top) thermal resistance	15.3	°C/W
R <sub>θJB</sub>	Junction-to-board thermal resistance	5.4	°C/W
ψ <sub>JT</sub>	Junction-to-top characterization parameter	0.2	°C/W
ψ <sub>JB</sub>	Junction-to-board characterization parameter	5.3	°C/W
R <sub>θJC(bot)</sub>	Junction-to-case (bottom) thermal resistance	0.9	°C/W

- (1) For more information about traditional and new thermal metrics, see the *Semiconductor and IC Package Thermal Metrics* application report (SPRA953).

## 6.5 Electrical Characteristics

 $3.15\text{ V} \leq V_{CC} \leq 3.45\text{ V}$ ,  $-40^{\circ}\text{C} \leq T_A \leq 85^{\circ}\text{C}$ .

 Typical values are at  $V_{CC} = 3.3\text{ V}$ ,  $25^{\circ}\text{C}$  (unless otherwise noted)

PARAMETER		TEST CONDITIONS	MIN	TYP	MAX	UNIT
<b>Power Supply</b>						
$V_{CC}$	Supply voltage			3.3		V
$I_{CC}$	Supply current	Single 6-GHz, 0-dBm output <sup>(1)</sup>		250		mA
$I_{PD}$	Power down current			3.7		mA
<b>Output Characteristics</b>						
$F_{out}$	Output frequency		20		9800	MHz
$P_{out}$	Typical high output power	Output = 3 GHz, 50- $\Omega$ pull-up, single ended <sup>(2)</sup>		8		dBm
$T_{cal}$	VCO calibration time	Reference input = 100 MHz, 7 GHz desired output <sup>(3)</sup>		590	800	$\mu\text{s}$
<b>Input Signal Path</b>						
REFin	Maximum reference input frequency		5		1400	MHz
REFv	Reference input voltage	AC coupled, differential <sup>(4)</sup>	0.2		2	Vppd
MULin	Input signal path multiplier input frequency		40		70	MHz
MULout	Input signal path multiplier output frequency		180		250	MHz
<b>Phase Detector and Charge Pump</b>						
PDF	Phase detector frequency		5		200	MHz
		Extended range mode <sup>(5)</sup>	0.25		400	MHz
CPI	Charge pump current	Programmable		0 to 12		mA
<b>PLL Phase Noise</b>						
PLL_flicker_Norm	Normalized PLL Flicker Noise <sup>(6)</sup>			-126		dBc/Hz
PLL_FOM	Normalized PLL Noise Floor (PLL Figure of Merit) <sup>(6)</sup>			-231		dBc/Hz
<b>VCO</b>						
$ \Delta T_{CL} $	Allowable temperature drift <sup>(7)</sup>	VCO not being re-calibrated			125	$^{\circ}\text{C}$

- (1) For typical total current consumption of 250 mA: 100 MHz input frequency, OSCin doubler bypassed, pre-R divider bypassed, multiplier bypassed, post-R divider bypassed, 100MHz phase detector frequency, 0.468mA charge pump current, channel divider off, one output on, 6GHz output frequency, 50- $\Omega$  output pull-up, 0 dBm output power (differential). See Applications section for more information.
- (2) For a typical high output power for a single-ended output, with 50- $\Omega$  pull-up on both M and P side, register OUTx\_POW = 63. Un-used side terminated with 50- $\Omega$  load.
- (3) This is the calibration time from the time of FCAL\_EN=1 is triggered to the calibration algorithm completing and output at 7 GHz. A reference input signal of 100MHz is used and register CAL\_CLK\_DIV=0 for state machine clock to be 100MHz. Faster calibration times can be achieved through changes of other register settings. See the *Applications* section for more information. This parameter is guaranteed by bench.
- (4) There is internal voltage biasing so the OSCinM and OSCinP pins should always be AC coupled (capacitor in series). Vppd is differential peak-to-peak voltage swing. If there is a differential signal (two are negative polarity of each other), the total swing is one subtracted by the other, each should be 0.1 to 1-Vppd. If there is a single-ended signal, it can have 0.2 to 2Vppd. See Detailed Description and Applications section for more information.
- (5) To use phase detector frequencies lower than 5 MHz set register FCAL\_LPFADJ = 3. To use phase detector frequencies higher than 200MHz, you must be in integer mode, set register PFD\_CTL = 3 (to use single PFD mode), set FCAL\_HPFADJ = 3. To see more information go to Detailed Description section.
- (6) The PLL noise contribution is measured using a clean reference and a wide loop bandwidth and is composed into flicker and flat components.  $PLL_{flat} = PLL_{FOM} + 20 \cdot \log(F_{vco}/F_{pd}) + 10 \cdot \log(F_{pd} / 1\text{Hz})$ .  $PLL_{flicker}(\text{offset}) = PLL_{flicker\_Norm} + 20 \cdot \log(F_{vco} / 1\text{GHz}) - 10 \cdot \log(\text{offset} / 10\text{kHz})$ . Once these two components are found, the total PLL noise can be calculated as  $PLL_{Noise} = 10 \cdot \log(10^{PLL_{Flat} / 10} + 10^{PLL_{flicker} / 10})$ .
- (7) Not tested in production. Ensured by characterization. Allowable temperature drift refers to programming the device at an initial temperature and allowing this temperature to drift without reprogramming the device, and still have the device stay in lock. This change could be up or down in temperature and the specification does not apply to temperatures that go outside the recommended operating temperatures of the device.

## Electrical Characteristics (continued)

 $3.15\text{ V} \leq V_{CC} \leq 3.45\text{ V}$ ,  $-40^{\circ}\text{C} \leq T_A \leq 85^{\circ}\text{C}$ .

Typical values are at  $V_{CC} = 3.3\text{ V}$ ,  $25^{\circ}\text{C}$  (unless otherwise noted)

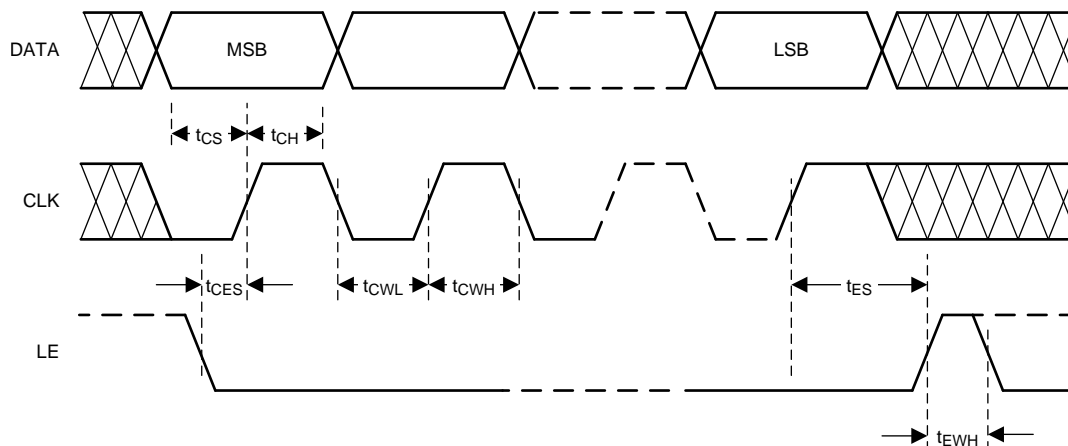
PARAMETER		TEST CONDITIONS		MIN	TYP	MAX	UNIT
PN <sub>open</sub> loop	Output = 3 GHz	100 kHz			-118.8		dBc/Hz
		1 MHz			-140.3		
		10 MHz			-155.1		
		100 MHz			-156.3		
	Output = 6 GHz	100 kHz			-112.6		
		1 MHz			-134.2		
		10 MHz			-152.6		
		100 MHz			-156.2		
	Output = 9.8 GHz	100 kHz			-108.2		
		1 MHz			-129.1		
		10 MHz			-140.5		
		100 MHz			-141.1		
<b>Harmonic Distortion<sup>(8)</sup></b>							
HD <sub>fund</sub>	Harmonic Distortion fundamental feed-through with doubler enabled	8 GHz, VCO doubler enabled	Fundamental (4 GHz)		-26		
<b>Digital Interface</b>							
V <sub>IH</sub>	High level input voltage			1.8		V <sub>CC</sub>	V
V <sub>IL</sub>	Low level input voltage			0		0.4	V
I <sub>IH</sub>	High level input current			-25		25	μA
I <sub>IL</sub>	Low level input current			-25		25	μA
V <sub>OH</sub>	High level output voltage	Load/Source Current of -350 μA				V <sub>CC</sub> - 0.4	V
V <sub>OL</sub>	Low level output voltage	Load/Sink Current of 500 μA				0.4	V
SPIW	Highest SPI write speed				75		MHz
SPIR	SPI read speed				50		MHz

(8) Not tested in production. Typical numbers from characterization with output settings: 50-Ω pull-up, OUTA\_POW=15, channel divider off.

## 6.6 Timing Requirements

 $3.15\text{ V} \leq V_{CC} \leq 3.45\text{ V}$ ,  $-40^{\circ}\text{C} \leq T_A \leq 85^{\circ}\text{C}$ , except as specified. Typical values are at  $V_{CC} = 3.3\text{ V}$ ,  $T_A = 25^{\circ}\text{C}$ 

		MIN	TYP	MAX	UNIT
<b>Microwire Timing</b>					
t <sub>ES</sub>	Clock to enable low time		5		ns
t <sub>CS</sub>	Data to clock setup time		2		ns
t <sub>CH</sub>	Data to clock hold time		2		ns
t <sub>CWH</sub>	Clock pulse width high	See <a href="#">Figure 1</a>	5		ns
t <sub>CWL</sub>	Clock pulse width low		5		ns
t <sub>CES</sub>	Enable to clock setup time		5		ns
t <sub>EWL</sub>	Enable pulse width high		2		ns



**Figure 1. Serial Data Input Timing Diagram**

There are several considerations for programming:

- A slew rate of at least 30 V/ $\mu$ s is recommended for the CLK, DATA, LE
- The DATA is clocked into a shift register on each rising edge of the CLK signal. On the rising edge of the LE signal, the data is sent from the shift registers to an actual counter
- The LE pin may be held high after programming and clock pulses will be ignored
- The CLK signal should not be high when LE transitions to low
- When CLK and DATA lines are shared between devices, it is recommended to divide down the voltage to the CLK, DATA and LE pins closer to the minimum voltage. This provides better noise immunity
- If the CLK and DATA lines are toggled while the VCO is in lock, as is sometimes the case when these lines are shared with other parts, the phase noise may be degraded during the time of this programming



## 6.7 Typical Characteristics

T<sub>A</sub> = 25°C (unless otherwise noted)

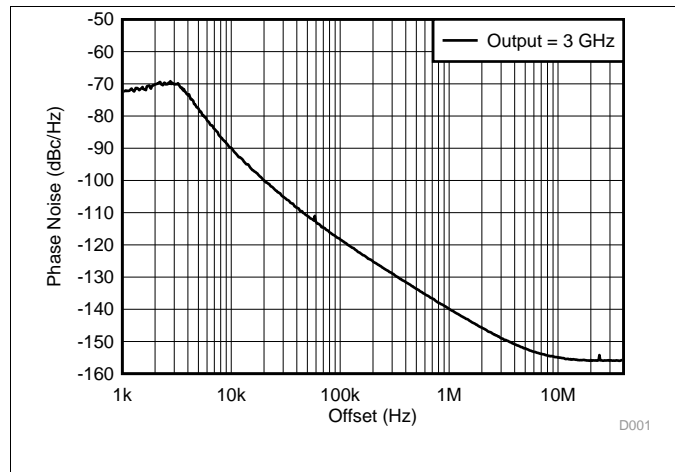


Figure 2. 3-GHz Output - Closed Loop Phase Noise

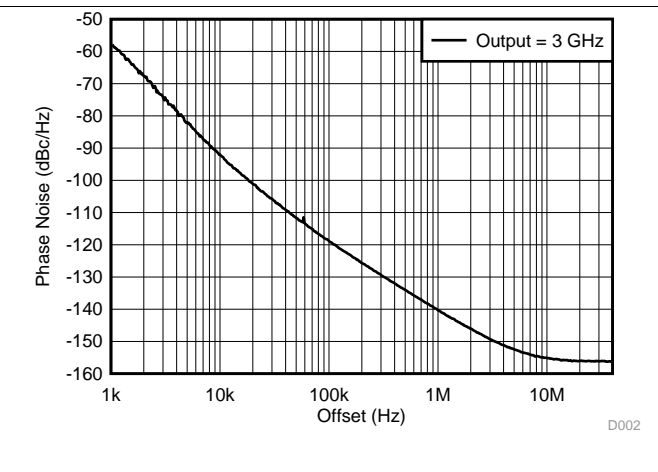


Figure 3. 3-GHz Output - Open Loop Phase Noise

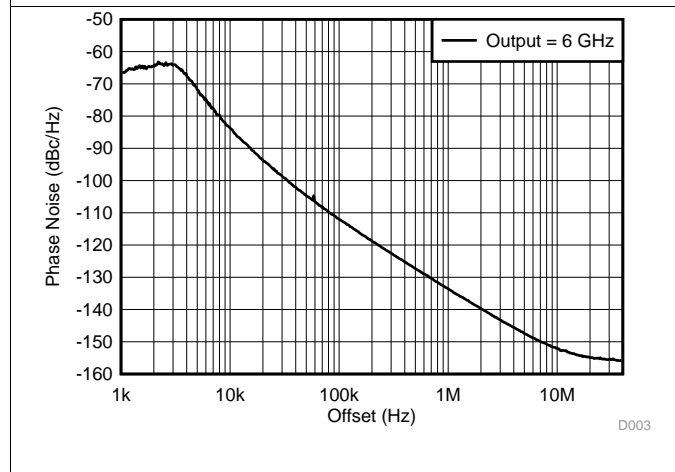


Figure 4. 6-GHz Output - Closed Loop Phase Noise

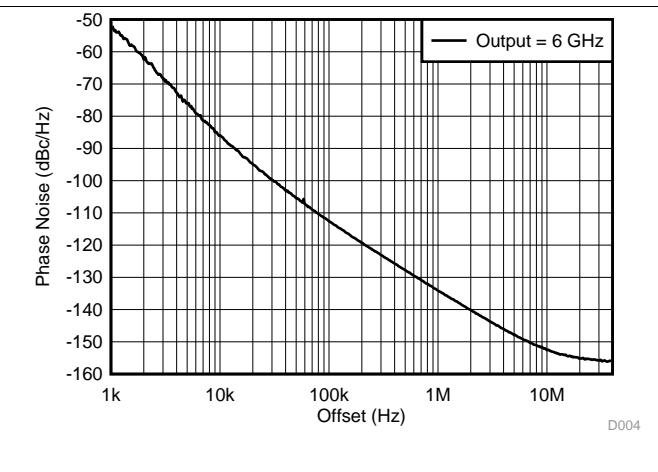


Figure 5. 6-GHz Output - Open Loop Phase Noise

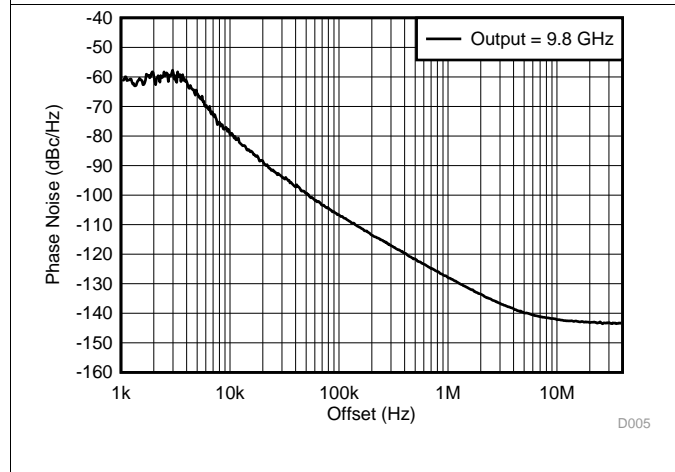


Figure 6. 9.8-GHz Output - Closed Loop Phase Noise

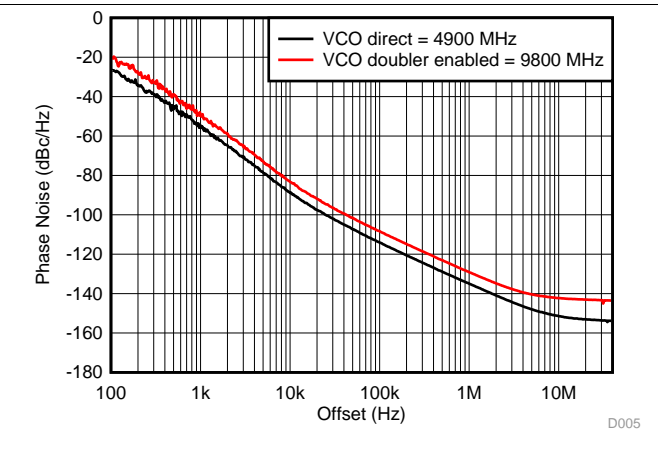
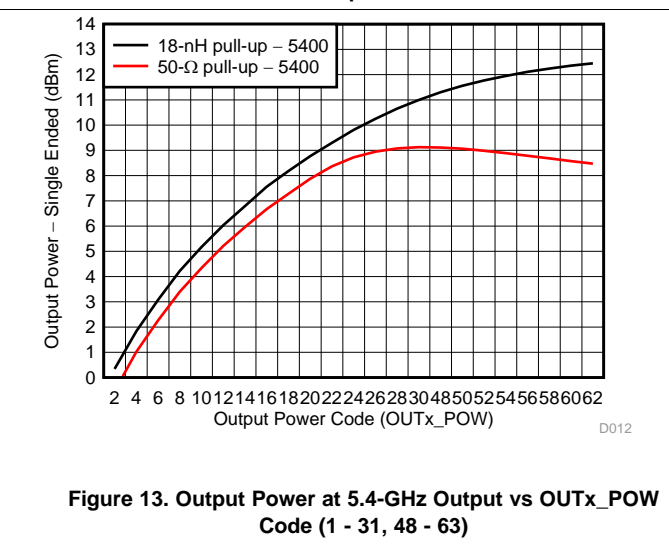
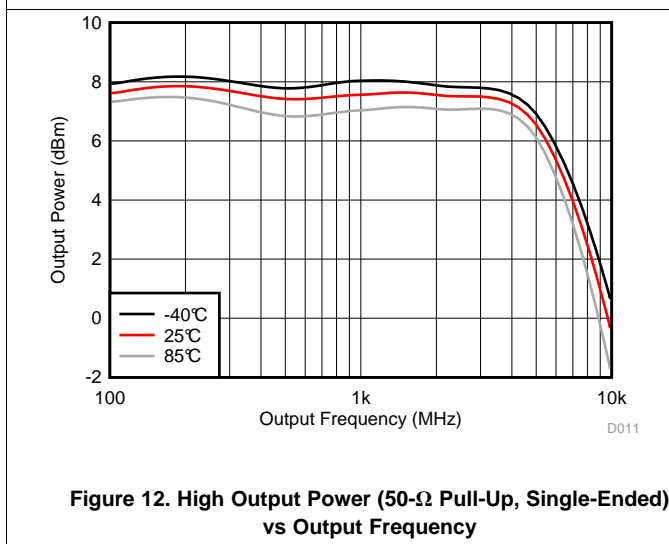
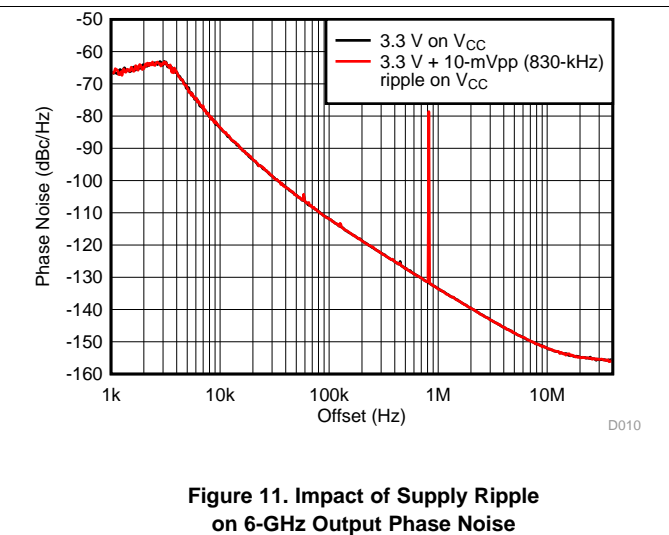
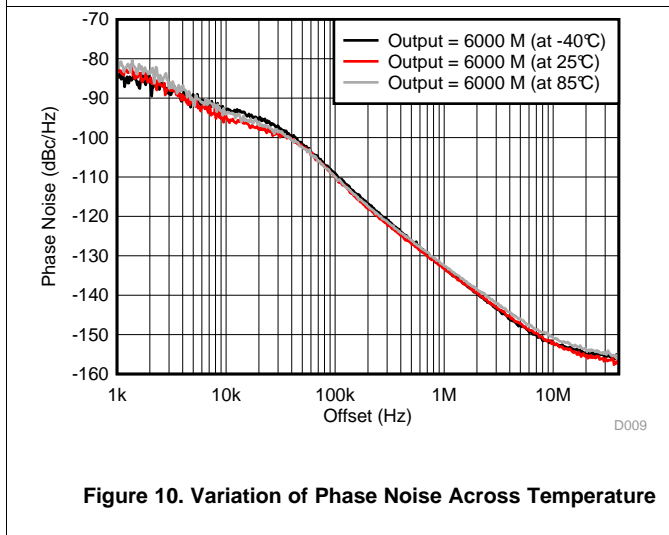
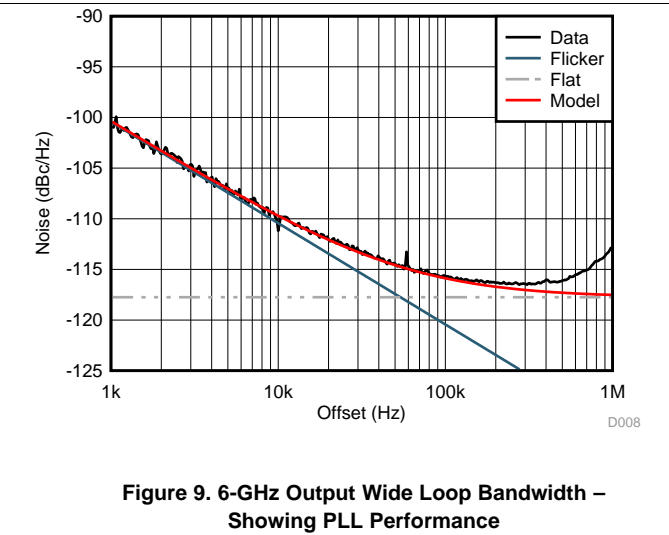
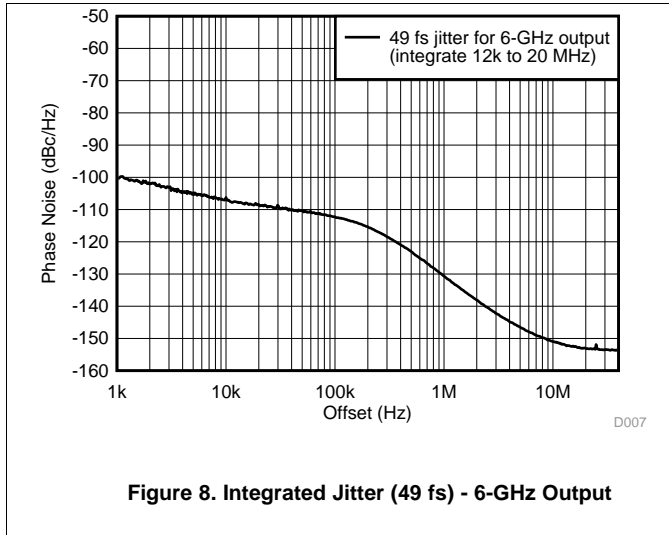


Figure 7. 9.8-GHz Output - Open Loop Phase Noise

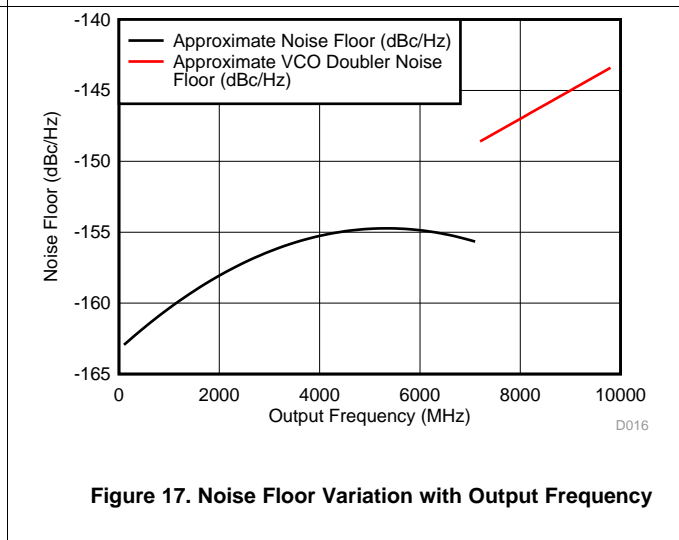
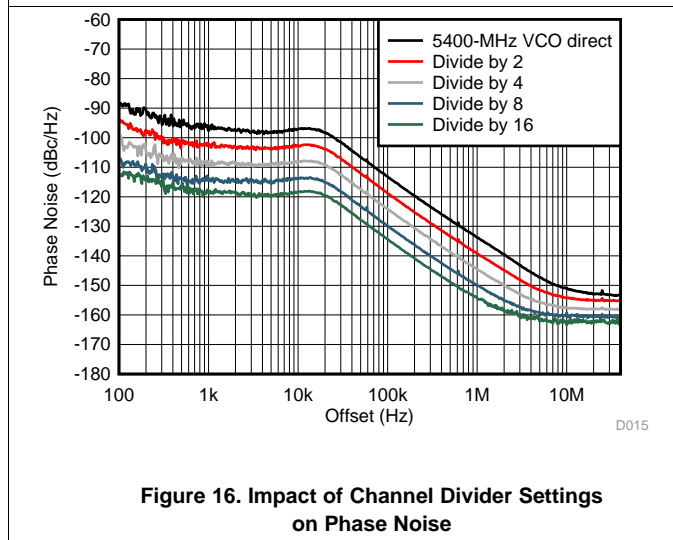
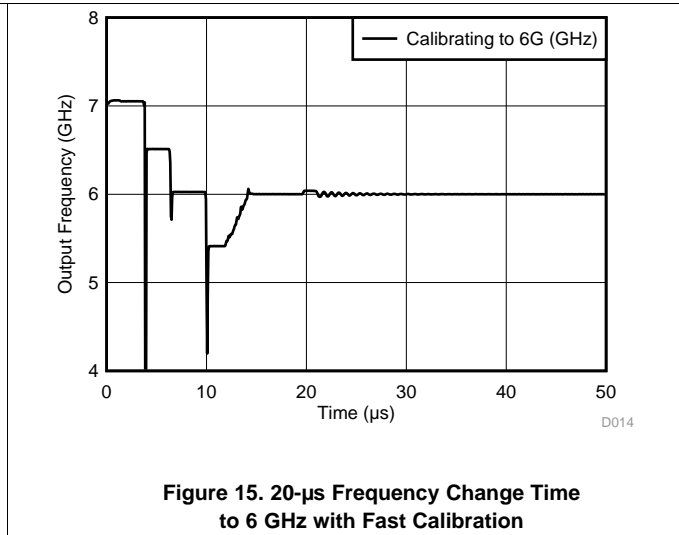
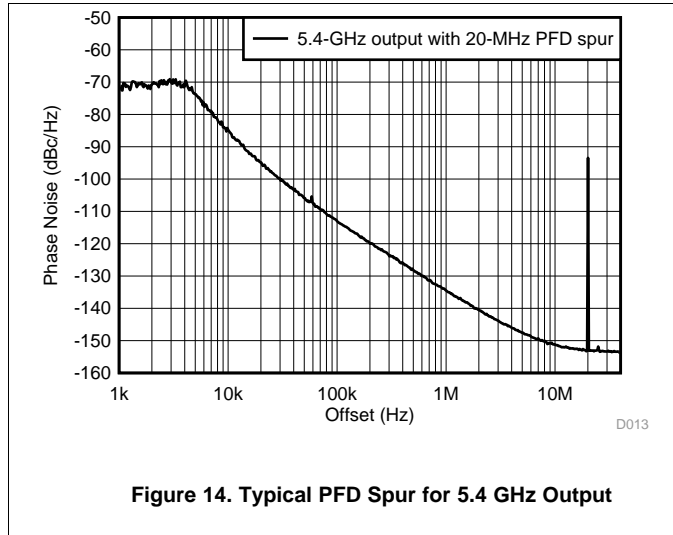
### Typical Characteristics (continued)

T<sub>A</sub> = 25°C (unless otherwise noted)



Typical Characteristics (continued)

T<sub>A</sub> = 25°C (unless otherwise noted)



## 7 Detailed Description

### 7.1 Overview

The LMX2592 is a high performance wideband synthesizer (PLL with integrated VCO). The output frequency range is from 20 MHz to 9.5 GHz. The VCO core covers an octave from 3.55 to 7.1 GHz. The output channel divider covers the frequency range from 20MHz to the low bound of the VCO core. The VCO-doubler covers the frequency range from the upper bound of the VCO to 9800MHz.

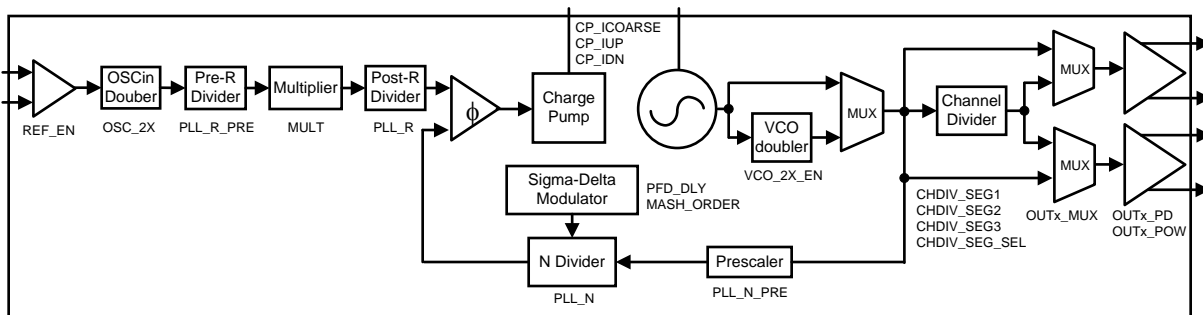
The input signal frequency has a wide range from 5 to 1400MHz. Following the input, there is an programmable OSCin doubler, a pre-R divider (previous to multiplier), a multiplier, and then a post-R divider (after multiplier) for flexible frequency planning between the input (OSCin) and the phase detector.

The phase detector (PFD) can take frequencies from 5 to 200 MHz, but also has extended modes down to 0.25 MHz and up to 400 MHz. The phase-lock loop (PLL) contains a Sigma-Delta modulator (1st to 4th order) for fractional N-divider values. The fractional denominator is programmable to 32-bit long, allowing a very fine resolution of frequency step. There is a phase adjust feature that allows shifting of the output phase in relation to the input (OSCin) by a fraction of the size of the fractional denominator.

The output power is programmable and can be designed for high power at a specific frequency by the pull-up component at the output pin.

The digital logic is a standard 4-wire SPI or uWire interface and is 1.8-V and 3.3-V compatible.

### 7.2 Functional Block Diagram



### 7.3 Functional Description

#### 7.3.1 Input Signal

An input signal is required for the PLL to lock. The input signal is also used for the VCO calibration, so a proper signal needs to be applied before the start of programming. The input signal goes to the OSCinP and OSCinM pins of the device (there is internal biasing which requires AC-coupling caps in series before the pin). This is a differential buffer so the total swing is the OSCinM signal subtracted by the OSCinP signal. Both differential signals and single-ended signal can be used. Below is an example of the max signal level in each mode. It is important to have proper termination and matching on both sides (see [Application and Implementation](#)).

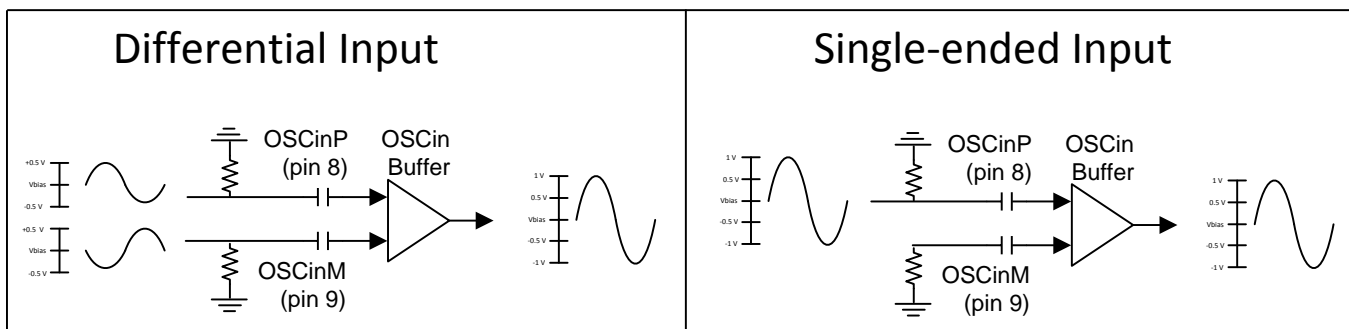


Figure 18. Differential vs Single-Ended Mode

## Functional Description (continued)

### 7.3.2 Input Signal Path

The input signal path contains the components between the input (OSCin) buffer and the phase detector. The best PLL noise floor is achieved with a 200-MHz input signal for the highest dual phase detector frequency. In order to address a wide range of applications, the input signal path contains the below components for flexible configuration before the phase detector. Each component can be bypassed. See the table below for usage boundaries if engaging a component.

- **OSCin doubler:** This is low noise frequency doubler which can be used to multiply input frequencies by two. The doubler uses both the rising and falling edge of the input signal so the input signal must have 50% duty cycle if enabling the doubler. The best PLL noise floor is achieved with 200-MHz PFD, thus the doubler is useful if, for example, a very low noise 100-MHz input signal is available instead.
- **Pre-R divider:** This is a frequency divider capable of very high frequency inputs. Use this to divide any input frequency up to 1400-MHz, and then the post-R divider if lower frequencies are needed.
- **Multiplier:** This is a programmable, low noise multiplier. In combination with the Pre-R and Post-R dividers, the multiplier offers the flexibility to set a PFD away from frequencies that may create critical integer boundary spurs with the VCO and output frequencies. See [Application and Implementation](#) for an example. The user should not use the doubler while using the low noise programmable multiplier.
- **Post-R divider:** Use this divider to divide down to frequencies below 5 MHz in extended PFD mode.

**Table 1. Boundaries for Input Path Components**

	INPUT		OUTPUT	
	LOW (MHz)	HIGH (MHz)	LOW (MHz)	HIGH (MHz)
Input signal	5	1400		
OSCin doubler	5	700	10	1400
Pre-R divider	10	1400	5	700
Multiplier	40	70	180	250
Post-R divider	5	250	0.25	125
PFD	0.25	400		

### 7.3.3 PLL Phase Detector and Charge Pump

The PLL phase detector, also known as phase frequency detector (PFD), compares the outputs of the post-R divider and N divider and generates a correction current with the charge pump corresponding to the phase error until the two signals are aligned in phase (the PLL is locked). The charge pump output goes through external components (loop filter) which turns the correction current pulses into a DC voltage applied to the tuning voltage (V<sub>tune</sub>) of the VCO. The charge pump gain level is programmable and allow to modify the loop bandwidth of the PLL.

The default architecture is a dual-loop PFD which can operate between 5 to 200 MHz. To use it in extended range mode the PFD has to be configured differently:

- **Extended low phase detector frequency mode:** For frequencies between 250 kHz and 5 MHz, low PFD mode can be activated (FCAL\_LPFD\_ADJ = 3). PLL\_N\_PRE also needs to be set to 4.
- **Extended high phase detector frequency mode:** For frequencies between 200 and 400 MHz, high PFD mode can be activated (FCAL\_HPFADJ = 3). The PFD also has to be set to single-loop PFD mode (PFD\_CTL = 3). This mode only works if using integer-N, and PLL noise floor will be about 6-dB higher than in dual-loop PFD mode.

### 7.3.4 N Divider and Fractional Circuitry

The N divider (12 bits) includes a multi-stage noise shaping (MASH) sigma-delta modulator with programmable order from 1st to 4th order, which performs fractional compensation and can achieve any fractional denominator from 1 to  $(2^{32} - 1)$ . Using programmable registers, PLL\_N is the integer portion and PLL\_NUM / PLL\_DEN is the fractional portion, thus the total N divider value is determined by  $PLL\_N + PLL\_NUM / PLL\_DEN$ . This allows the output frequency to be a fractional multiplication of the phase detector frequency. The higher the denominator the finer the resolution step of the output. There is a N divider prescaler (PLL\_N\_PRE) between the VCO and the N divider which performs a division of 2 or 4. 2 is selected typically for higher performance in fractional mode and 4 may be desirable for lower power operation and when N is approaching max value.

$$F_{vco} = F_{pd} \times PLL\_N\_PRE \times (PLL\_N + PLL\_NUM / PLL\_DEN)$$

$$\text{Minimum output frequency step} = F_{pd} / PLL\_DEN$$

Typically, higher modulator order pushes the noise out in frequency and may be filtered out with the PLL. However, several tradeoff needs to be made. table below shows the suggested minimum N value while in fractional mode as a function of the sigma-delta modulator order. It also describe the recommended register setting for the PFD delay (register PFD\_DLY\_SEL).

**Table 2. MASH order and N Divider**

	INTEGER-N	1st ORDER	2nd ORDER	3rd ORDER	4th ORDER
Minimum N divider (low bound)	9	11	16	18	30
PFD delay recommended setting (PFD_DLY_SEL)	1	1	2	2	8

### 7.3.5 Voltage Controlled Oscillator

The voltage controlled oscillator (VCO) is fully integrated. The frequency range of the VCO is from 3.55 to 7.1 GHz so it covers one octave. Output dividers allow the generation of all other lower frequencies. The VCO-doubler allow the generation of all other higher frequencies. The output frequency of the VCO is inverse proportional to the DC voltage present at the tuning voltage point on pin Vtune. The tuning range is 0 V to 2.5 V. 0 V generates the maximum frequency and 2.5 V generates the minimum frequency. This VCO requires a calibration procedure for each frequency selected to lock on. Each vco calibration will force the tuning voltage to mid value and calibrate the VCO circuit. The VCO is designed to remained locked over the entire temperature range the device can support. [Table 3](#) shows the VCO gain as a function of frequency.

**Table 3. Typical kVCO**

VCO FREQUENCY (MHz)	kVCO (MHz/V)
3700	28
4200	30
4700	33
5200	36
5700	41
6200	47
6800	51

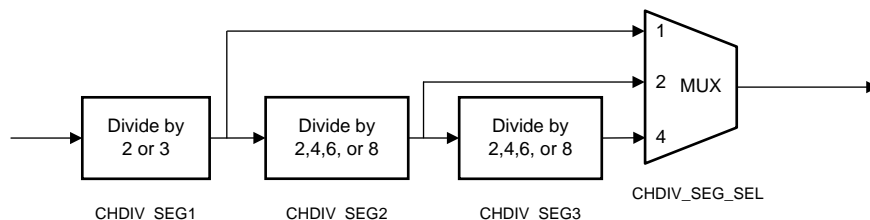
### 7.3.6 VCO Calibration

The VCO calibration is responsible of setting the VCO circuit to the target frequency. The frequency calibration routine is activated any time that the R0 register is programmed with the FCAL\_EN = 1. A valid input (OSCin) signal to the device must present before the VCO calibration begins. To see how to reduce the calibration time, refer to [Application and Implementation](#).

### 7.3.7 VCO Doubler

To go above the VCO upper bound, the VCO-doubler must be used (VCO\_2X\_EN=1). The doubling block can be enabled while the VCO is between 3.55 GHz (lowest VCO frequency) and 4.9 GHz. When VCO doubler is enabled, the N divider prescaler is automatically forced to divide by 4.

### 7.3.8 Channel Divider



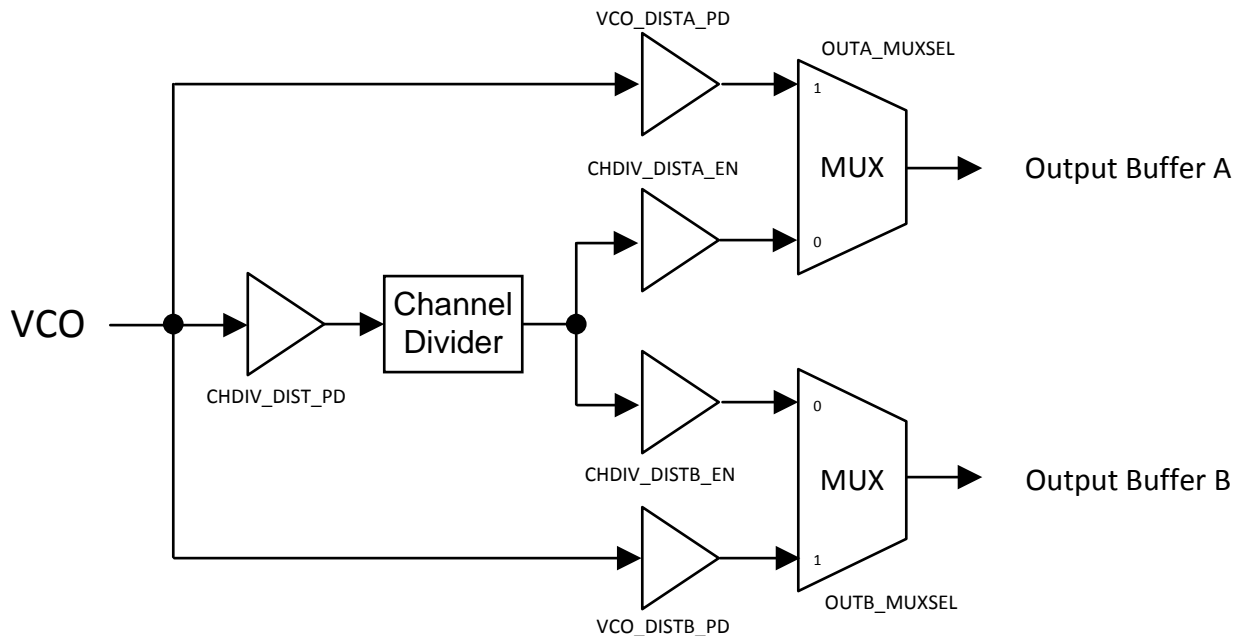
**Figure 19. Channel Divider Diagram**

To go below the VCO lower bound, the channel divider must be used. The channel divider consists of three programmable dividers controlled by the registers CHDIV\_SEG1, CHDIV\_SEG2, CHDIV\_SEG3. The Multiplexer (programmed with register CHDIV\_SEG\_SEL) selects which divider is included in the path. The minimum division is 2 while the maximum division is 192. Un-used dividers can be powered down to save current consumption. The entire channel divider can be powered down with register CHDIV\_EN = 0 or selectively setting registers CHDIV\_SEG1\_EN = 0, CHDIV\_SEG2\_EN = 0, CHDIV\_SEG3\_EN = 0. Unused buffers may also be powered down with registers CHDIV\_DISTA\_EN and CHDIV\_DIST\_EN. See [Table 4](#) for a guideline of what channel divider setting to use when below a specific output frequency.

**Table 4. Channel Divider Setting as a Function of the Desired Output Frequency**

OUTPUT FREQUENCY	CHANNEL DIVIDER SEG1	CHANNEL DIVIDER SEG2	CHANNEL DIVIDER SEG3	TOTAL DIVISION	VCO FREQ
3600	2	1	1	2	7200
1840	3	1	1	3	5520
1240	2	2	1	4	4960
930	3	2	1	6	5580
610	2	4	1	8	4880
460	2	6	1	12	5520
300	2	8	1	16	4800
230	3	8	1	24	5520
150	2	8	2	32	4800
110	3	6	2	36	3960
100	3	8	2	48	4800
70	2	8	4	64	4480
50	2	8	6	96	4800
30	2	8	8	128	3840
20	3	8	8	192	3840

### 7.3.9 Output Distribution



**Figure 20. Output Distribution Diagram**

For each output A or B, there is a mux which select the VCO output directly or the channel divider output. Before these selection MUX there are several buffers in the distribution path which can be configured depending on the route selected. By disabling unused buffers, unwanted signals can be isolated and unneeded current consumption can be eliminated.

### 7.3.10 Output Buffer

Each output buffer (A and B) have programmable gain with register `OUTA_POW` and `OUTB_POW`. The RF output buffer configuration is open collector and requires an external pull-up from `RFout` pin to  $V_{CC}$ . There are two pull-up options that can be used with either resistor or inductor. Refer to the applications section for design considerations.

1. Resistor pull-up: placing a 50- $\Omega$  resistor pull-up matches the output impedance to 50- $\Omega$ . However, maximum output power is limited. Output buffer current settings should be set to a value before output power is saturated (output power increases less for every step increase in output current value).
2. Inductor pull-up: placing an inductor pull-up creates a resonance at the frequency of interest. This offers higher output power for the same current and higher maximum output power. However, the output impedance will be higher and additional matching may be required..

### 7.3.11 Phase Adjust

In fractional mode, the phase relationship between the output and the input can be changed with very fine resolution. Writing the register `MASH_SEED` will trigger this shift. The seed value should be less than the fractional-N denominator register `PLL_N_DEN`. The actual phase shift can be obtained with the following equation:

$$\text{Phase shift (degrees)} = 360 \times \text{MASH\_SEED} / \text{PLL\_N\_DEN} / [\text{Channel divider value}]$$

## 7.4 Device Functional Modes

### 7.4.1 Powerdown

Power up and down can be achieved using the CE pin (logic HIGH or LOW voltage) or the `POWERDOWN` register bit (0 or 1). When the device comes out of the powered down state, either by pulling back CE pin HIGH (if it was powered down by CE pin) or by resuming the `POWERDOWN` bit to 0 (if it was powered down by register write), it is required that register `R0` be programmed again to re-calibrate the device.



## Device Functional Modes (continued)

### 7.4.2 Lock Detect

The MUXout pin can be configured to output a signal that gives an indication for the PLL being locked. If lock detect is enabled ( $LD\_EN = 1$ ) and the MUXout pin is configured as lock detect output ( $MUXOUT\_SEL = 1$ ), when the device is locked, the MUXout pin output is a logic HIGH voltage, and when the device is unlocked, MUXout output is a logic LOW voltage.

### 7.4.3 Register Readback

The MUXout pin can be programmed ( $MUXOUT\_SEL = 0$ ) to use register readback serial data output. To read back a certain register value, use the following steps:

1. Set the R/W bit to 1; the data field contents are ignored.
2. Program this register to the device, readback serial data will be output starting at the 9th clock.

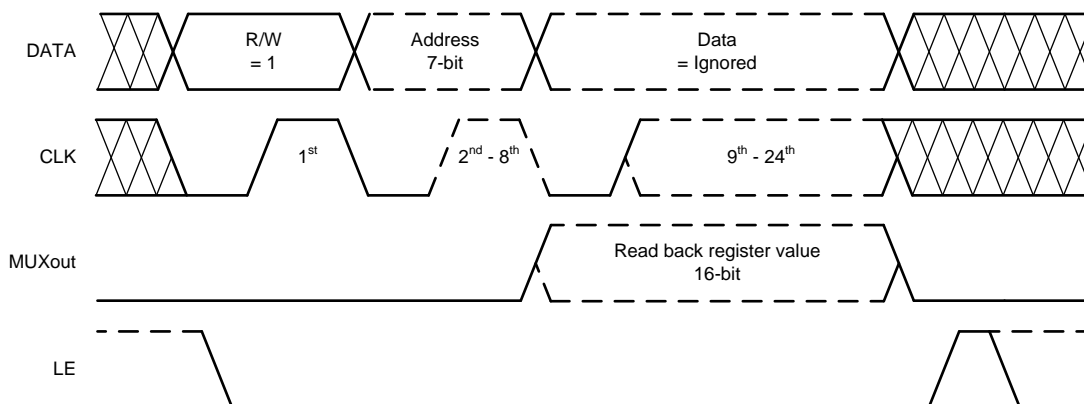


Figure 21. Register Readback Timing Diagram

## 7.5 Programming

The programming using 24-bit shift registers. The shift register consists of a R/W bit (MSB), followed by a 7-bit address field and a 16-bit data field. For the R/W (bit 23), 1 is read and 0 is write. The address field ADDRESS (bits 22:16) is used to decode the internal register address. The remaining 16 bits form the data field DATA (bits 15:0). While CSB is low, serial data is clocked into the shift register upon the rising edge of clock (data is programmed MSB first). When CSB goes high, data is transferred from the data field into the selected register bank.

### 7.5.1 Recommended Initial Power on Programming Sequence

When the device is first powered up, the device needs to be initialized and the ordering of this programming is very important. After this sequence is completed, the device should be running and locked to the proper frequency.

1. Apply power to the device and ensure the  $V_{CC}$  pins are at the proper levels
2. Ensure that a valid reference is applied to the OSCin pin
3. Soft reset the device (write  $R0[1] = 1$ )
4. Program the remaining registers
5. Frequency calibrate (write  $R0[3] = 1$ )

### 7.5.2 Recommended Sequence for Changing Frequencies

The recommended sequence for changing frequencies is as follows:

1. Set the new N divider value (write  $R38[12:1]$ )
2. Set the new PLL numerator ( $R45$  and  $R44$ ) and denominator ( $R41$  and  $R40$ )
3. Frequency calibrate (write  $R0[3] = 1$ )

## 7.6 Register Maps

### 7.6.1 LMX2592 Register Map

**Figure 22. Register Table**

REG	23	22	21	20	19	18	17	16	15	14	13	12	11	10	9	8	7	6	5	4	3	2	1	0
	ADDRESS[6:0]											DATA [15:0]												
	R/W																							
0	R/W	0	0	0	0	0	0	0	0	0	LD_EN	0	0	0	1	FCAL_HP FD_ADJ	FCAL_LPF D_ADJ	1	FCA L_EN	MU XO UT_ SEL	RES ET	PO WE RD OW N		
1	R/W	0	0	0	0	0	0	1	0	0	0	0	1	0	0	0	0	0	0	0	1	CAL_CLK_DIV		
2	R/W	0	0	0	0	0	1	0	0	0	0	0	0	1	0	1	0	0	0	0	0	0	0	0
4	R/W	0	0	0	0	1	0	0	ACAL_CMP_DLY							0	1	0	0	0	0	0	1	1
7	R/W	0	0	0	0	1	1	1	0	0	1	0	0	0	0	0	1	0	1	1	0	0	1	0
8	R/W	0	0	0	1	0	0	0	0	0	0	1	0	0	0	0	0	0	0	0	0	0	0	0
9	R/W	0	0	0	1	0	0	1	0	0	0	0	OS C_2 X	0	REF _EN	1	0	0	0	0	0	0	1	0
10	R/W	0	0	0	1	0	1	0	0	0	0	1	MULT			1	0	1	1	0	0	0	0	
11	R/W	0	0	0	1	0	1	1	0	0	0	PLL_R							1	0	0	0		
12	R/W	0	0	0	1	1	0	0	0	1	1	PLL_R_PRE												
13	R/W	0	0	0	1	1	0	1	0	CP_ EN	0	0	0	0	PFD_CTL	0	0	0	0	0	0	0	0	0
14	R/W	0	0	0	1	1	1	0	0	0	0	CP_IDN				CP_IUP				CP_ICOA RSE				
19	R/W	0	0	1	0	0	1	1	0	0	0	0	1	0	0	1	0	1	1	0	0	1	0	1
23	R/W	0	0	1	0	1	1	1	1	0	0	0	1	0	0	0	0	1	0	0	0	0	1	0
24	R/W	0	0	1	1	0	0	0	0	0	0	0	0	1	0	1	0	0	0	0	1	0	0	1
28	R/W	0	0	1	1	1	0	0	0	0	1	0	1	0	0	1	0	0	1	0	0	1	0	0
29	R/W	0	0	1	1	1	0	1	0	0	0	0	0	0	0	1	0	0	0	0	0	1	0	0
30	R/W	0	0	1	1	1	1	0	0	0	0	0	0	MA SH_ DIT HER	0	0	0	0	1	1	0	1	0	VC O_2 X_ EN
31	R/W	0	0	1	1	1	1	1	0	0	0	0	0	VC O_ D I S T B_ P D	VC O_ D I S T A_ P D	0	CH D I V _ D I S T _ P D	0	0	0	0	0	1	
32	R/W	0	1	0	0	0	0	0	0	1	0	0	0	0	1	0	0	0	0	1	0	0	0	0
33	R/W	0	1	0	0	0	0	1	0	1	0	0	0	0	1	0	0	0	0	1	0	0	0	0
34	R/W	0	1	0	0	0	1	0	1	1	0	0	0	0	1	1	1	1	CH D I V _ EN	1	0	0	0	0

REG	23	22	21	20	19	18	17	16	15	14	13	12	11	10	9	8	7	6	5	4	3	2	1	0
	ADDRESS[6:0]						DATA [15:0]																	
R/W																								
35	R/W	0	1	0	0	0	1	1	0	0	0	CHDIV_SEG2				CH DIV _SE G3 _EN	CH DIV _SE G2 _EN	0	0	1	1	CH DIV _SE G1	CH DIV _SE G1 _EN	1
36	R/W	0	1	0	0	1	0	0	0	0	0	CH DIV _DI STB _EN	CH DIV _DI STA _EN	0	0	0	CHDIV_SEG_SE L			CHDIV_SEG3				
37	R/W	0	1	0	0	1	0	1	0	1	0	PLL _N PRE	0	0	0	0	0	0	0	0	0	0	0	
38	R/W	0	1	0	0	1	1	0	0	0	0	PLL_N										0		
39	R/W	0	1	0	0	1	1	1	1	0	PFD_DLY				0	0	0	0	0	1	0	0		
40	R/W	0	1	0	1	0	0	0	PLL_DEN[31:16]															
41	R/W	0	1	0	1	0	0	1	PLL_DEN[15:0]															
42	R/W	0	1	0	1	0	1	0	MASH_SEED[31:16]															
43	R/W	0	1	0	1	0	1	1	MASH_SEED[15:0]															
44	R/W	0	1	0	1	1	0	0	PLL_NUM[31:16]															
45	R/W	0	1	0	1	1	0	1	PLL_NUM[15:0]															
46	R/W	0	1	0	1	1	1	0	0	0	OUTA_POW				OUT B_P D	OUT A_P D	MA SH _EN	1	0	MASH_ORDER				
47	R/W	0	1	0	1	1	1	1	0	0	OUTA_MU X	0	0	0	1	1	OUTB_POW							
48	R/W	0	1	1	0	0	0	0	0	0	0	0	0	1	1	1	1	1	1	1	1	0	0	
62	R/W	0	1	1	1	1	1	0	0	0	0	0	0	0	0	0	0	0	0	0	0	0	0	
64	R/W	1	0	0	0	0	0	0	0	0	0	0	0	ACA L_F AST	FCA L_F AST	1	0	1	0	1	1	1	1	1

**7.6.1.1 Register Descriptions**
**Table 5. R0 Register Field Descriptions**

BIT	FIELD	TYPE	DEFAULT	DESCRIPTION
15:14		R/W		Program to default
13	LD_EN	R/W	1	Lock detect enable 1: enable 0: disable
12:9		R/W		Program to default
8:7	FCAL_HPFADJ_ADJ	R/W	0	Used for when PFD freq is high 3: PFD > 200 MHz 2: PFD > 150 MHz 1: PFD > 100 MHz 0: not used
6:5	FCAL_LPFADJ_ADJ	R/W	0	Used for when PFD freq is low 3: PFD < 5 MHz 2: PFD < 10 MHz 1: PFD < 20 MHz 0: not used
4		R/W		Program to default
3	FCAL_EN	R/W	1	Enable frequency calibration 1: enable (writing 1 to this register triggers the calibration sequence) 0: disable
2	MUXOUT_SEL	R/W	1	Signal at MUXOUT pin 1: Lock Detect (3.3 V if locked, 0 V if unlocked) 0: Readback (3.3-V digital output)
1	RESET	R/W	0	Reset Write with a value of 1 to reset device (this register will self-switch back to 0)
0	POWERDOWN	R/W	0	Powerdown whole device 1: power down 0: power up

**Table 6. R1 Register Field Descriptions**

BIT	FIELD	TYPE	DEFAULT	DESCRIPTION
15:3		R/W		Program to default
2:0	CAL_CLK_DIV	R/W	3	Divides down the OSCin signal for calibration clock Calibration Clock = OSCin / 2 <sup>CAL_CLK_DIV</sup> Set this value so that calibration clock is less than but as close to 200MHz as possible if fast calibration time is desired.

**Table 7. R2 Register Field Descriptions**

BIT	FIELD	TYPE	DEFAULT	DESCRIPTION
15:0		R/W		Program to default

**Table 8. R4 Register Field Descriptions**

BIT	FIELD	TYPE	DEFAULT	DESCRIPTION
15:8	ACAL_CMP_DLY	R/W	25	VCO amplitude calibration delay. Lowering this value can speed calibration time
7:0		R/W		Program to default

**Table 9. R7 Register Field Descriptions**

BIT	FIELD	TYPE	DEFAULT	DESCRIPTION
15:0		R/W		Program to default

**Table 10. R8 Register Field Descriptions**

BIT	FIELD	TYPE	DEFAULT	DESCRIPTION
15:0		R/W		Program to default

**Table 11. R9 Register Field Descriptions**

BIT	FIELD	TYPE	DEFAULT	DESCRIPTION
15:12		R/W		Program to default
11	OSC_2X	R/W	0	Reference path doubler 1: enable 0: disable
10		R/W		Program to default
9	REF_EN	R/W	1	Enable reference path 1: enable 0: disable
8:0		R/W		Program to default

**Table 12. R10 Register Field Descriptions**

BIT	FIELD	TYPE	DEFAULT	DESCRIPTION
15:12		R/W		Program to default
11:7	MULT	R/W	1	Input signal path multiplier (input range from 40 - 70 MHz, output range from 180 - 250 MHz)
6:0		R/W		Program to default

**Table 13. R11 Register Field Descriptions**

BIT	FIELD	TYPE	DEFAULT	DESCRIPTION
15:12		R/W		Program to default
11:4	PLL_R	R/W	1	R divider after multiplier and before PFD
3:0		R/W		Program to default

**Table 14. R12 Register Field Descriptions**

BIT	FIELD	TYPE	DEFAULT	DESCRIPTION
15:12		R/W		Program to default
11:0	PLL_R_PRE	R/W	1	R divider after OSCin doubler and before multiplier

**Table 15. R13 Register Field Descriptions**

BIT	FIELD	TYPE	DEFAULT	DESCRIPTION
15		R/W		Program to default
14	CP_EN	R/W	1	Enable charge pump 1: enable 0: disable
13:10		R/W		Program to default
9:8	PFD_CTL	R/W	0	PFD mode 0: Dual PFD (default) 3: Single PFD (ONLY use if PFD freq is higher than 200MHz)
7:0		R/W		Program to default

**Table 16. R14 Register Field Descriptions**

BIT	FIELD	TYPE	DEFAULT	DESCRIPTION
15:12		R/W		Program to default
11:7	CP_IDN	R/W	3	Charge pump current (DN) – must equal to charge pump current (UP). Can activate any combination of bits. <bit 4>: 1.25 mA <bit 3>: 2.5 mA <bit 2>: 0.625 mA <bit 1>: 0.312 mA <bit 0>: 0.156 mA
6:2	CP_IUP	R/W	3	Charge pump current (UP) – must equal to charge pump current (DN). Can activate any combination of bits. <bit 4>: 1.25 mA <bit 3>: 2.5 mA <bit 2>: 0.625 mA <bit 1>: 0.312 mA <bit 0>: 0.156 mA

**Table 16. R14 Register Field Descriptions (continued)**

BIT	FIELD	TYPE	DEFAULT	DESCRIPTION
1:0	CP_ICOARSE	R/W	1	charge pump gain multiplier - multiplies charge pump current by a given factor: 3: multiply by 2.5 2: multiply by 1.5 1: multiply by 2 0: no multiplication

**Table 17. R19 Register Field Descriptions**

BIT	FIELD	TYPE	DEFAULT	DESCRIPTION
15:0		R/W		Program to default

**Table 18. R23 Register Field Descriptions**

BIT	FIELD	TYPE	DEFAULT	DESCRIPTION
15:0		R/W		Program to default

**Table 19. R24 Register Field Descriptions**

BIT	FIELD	TYPE	DEFAULT	DESCRIPTION
15:0		R/W		Program to default

**Table 20. R28 Register Field Descriptions**

BIT	FIELD	TYPE	DEFAULT	DESCRIPTION
15:0		R/W		Program to default

**Table 21. R29 Register Field Descriptions**

BIT	FIELD	TYPE	DEFAULT	DESCRIPTION
15:0		R/W		Program to default

**Table 22. R30 Register Field Descriptions**

BIT	FIELD	TYPE	DEFAULT	DESCRIPTION
15:11		R/W		Program to default
10	MASH_DITHER	R/W	0	MASH dithering: toggle on/off to randomize
9:1		R/W		Program to default
0	VCO_2X_EN	R/W	0	Enable VCO doubler 1: enable 0: disable

**Table 23. R31 Register Field Descriptions**

BIT	FIELD	TYPE	DEFAULT	DESCRIPTION
15:11		R/W		Program to default
10	VCO_DISTB_PD	R/W	1	Power down buffer between VCO and output B 1: power down 0: power up
9	VCO_DISTA_PD	R/W	0	Power down buffer between VCO and output A 1: power down 0: power up
8		R/W		Program to default
7	CHDIV_DIST_PD	R/W	0	Power down buffer between VCO and channel divider
6:0		R/W		Program to default

**Table 24. R32 Register Field Descriptions**

BIT	FIELD	TYPE	DEFAULT	DESCRIPTION
15:0		R/W		Program to default

**Table 25. R33 Register Field Descriptions**

BIT	FIELD	TYPE	DEFAULT	DESCRIPTION
15:0		R/W		Program to default

**Table 26. R34 Register Field Descriptions**

BIT	FIELD	TYPE	DEFAULT	DESCRIPTION
15:6		R/W		Program to default
5	CHDIV_EN	R/W	1	Enable entire channel divider 1: enable 0: power down
4:0		R/W		Program to default

**Table 27. R35 Register Field Descriptions**

BIT	FIELD	TYPE	DEFAULT	DESCRIPTION
15:13		R/W		Program to default
12:9	CHDIV_SEG2	R/W	1	Channel divider segment 2 8: divide-by-8 4: divide-by-6 2: divide-by-4 1: divide-by-2 0: PD
8	CHDIV_SEG3_EN	R/W	0	Channel divider segment 3 1: enable 0: power down (power down if not needed)
7	CHDIV_SEG2_EN	R/W	0	Channel divider segment 2 1: enable 0: power down (power down if not needed)
6:3		R/W		Program to default
2	CHDIV_SEG1	R/W	1	Channel divider segment 1 1: divide-by-3 0: divide-by-2
1	CHDIV_SEG1_EN	R/W	0	Channel divider segment 1 1: enable 0: power down (power down if not needed)
0		R/W		Program to default

**Table 28. R36 Register Field Descriptions**

BIT	FIELD	TYPE	DEFAULT	DESCRIPTION
15:12		R/W		Program to default
11	CHDIV_DISTB_EN	R/W	0	Enable buffer between channel divider and output B 1: enable 0: disable
10	CHDIV_DISTA_EN	R/W	1	Enable buffer between channel divider and output A 1: enable 0: disable
9:7		R/W		Program to default
6:4	CHDIV_SEG_SEL	R/W	1	Channel divider segment select 4: includes channel divider segment 1, 2 and 3 2: includes channel divider segment 1 and 2 1: includes channel divider segment 1 0: PD
3:0	CHDIV_SEG3	R/W	1	Channel divider segment 3 8: divide-by-8 4: divide-by-6 2: divide-by-4 1: divide-by-2 0: PD

**Table 29. R37 Register Field Descriptions**

BIT	FIELD	TYPE	DEFAULT	DESCRIPTION
15:13		R/W		Program to default
12	PLL_N_PRE	R/W	0	N-divider pre-scalar 1: divide-by-4 0: divide-by-2
11:0		R/W		Program to default

**Table 30. R38 Register Field Descriptions**

BIT	FIELD	TYPE	DEFAULT	DESCRIPTION
15:13		R/W		Program to default
12:1	PLL_N	R/W	27	Integer part of N-divider
0		R/W		Program to default

**Table 31. R39 Register Field Descriptions**

BIT	FIELD	TYPE	DEFAULT	DESCRIPTION
15:14		R/W		Program to default
13:8	PFD_DLY	R/W	2	PFD Delay 32: Not used 16: 16 clock cycle delay 8: 12 clock cycle delay 4: 8 clock cycle delay 2: 6 clock cycle delay 1: 4 clock cycle delay
7:0		R/W		Program to default

**Table 32. R40 Register Field Descriptions**

BIT	FIELD	TYPE	DEFAULT	DESCRIPTION
15:0	PLL_DEN[31:16]	R/W	1000	Denominator MSB of N-divider fraction

**Table 33. R41 Register Field Descriptions**

BIT	FIELD	TYPE	DEFAULT	DESCRIPTION
15:0	PLL_DEN[15:0]	R/W	1000	Denominator LSB of N-divider fraction

**Table 34. R42 Register Field Descriptions**

BIT	FIELD	TYPE	DEFAULT	DESCRIPTION
15:0	MASH_SEED[31:16]	R/W	0	MASH seed MSB

**Table 35. R43 Register Field Descriptions**

BIT	FIELD	TYPE	DEFAULT	DESCRIPTION
15:0	MASH_SEED[15:0]	R/W	0	MASH seed LSB

**Table 36. R44 Register Field Descriptions**

BIT	FIELD	TYPE	DEFAULT	DESCRIPTION
15:0	PLL_NUM[31:16]	R/W	0	Numerator MSB of N-divider fraction

**Table 37. R45 Register Field Descriptions**

BIT	FIELD	TYPE	DEFAULT	DESCRIPTION
15:0	PLL_NUM[15:0]	R/W	0	Numerator LSB of N-divider fraction

**Table 38. R46 Register Field Descriptions**

BIT	FIELD	TYPE	DEFAULT	DESCRIPTION
15		R/W		Program to default
13:8	OUTA_POW	R/W	15	Output buffer A power increase power from 0 to 31 extra boost from 48 to 63
7	OUTB_PD	R/W	1	Output buffer B power down 1: power down 0: power up
6	OUTA_PD	R/W	0	Output buffer A power down 1: power down 0: power up
5	MASH_EN	R/W	1	Enable sigma-delta modulator
4:3		R/W		Program to default



**Table 38. R46 Register Field Descriptions (continued)**

BIT	FIELD	TYPE	DEFAULT	DESCRIPTION
2:0	MASH_ORDER	R/W	3	Sigma-delta modulator order 4: fourth order 3: third order 2: second order 1: first order 0: integer mode

**Table 39. R47 Register Field Descriptions**

BIT	FIELD	TYPE	DEFAULT	DESCRIPTION
15:13		R/W		Program to default
12:11	OUTA_MUX	R/W	0	Selects signal to the output buffer 2,3: reserved 1: Selects output from VCO 0: Selects the channel divider output
10:6		R/W		Program to default
5:0	OUTB_POW	R/W	0	Output buffer B power increase power from 0 to 31 extra boost from 48 to 63

**Table 40. R48 Register Field Descriptions**

BIT	FIELD	TYPE	DEFAULT	DESCRIPTION
15:2		R/W		Program to default
1:0	OUTB_MUX	R/W	0	Selects signal to the output buffer 2,3: reserved 1: Selects output from VCO 0: Selects the channel divider output

**Table 41. R62 Register Field Descriptions**

BIT	FIELD	TYPE	DEFAULT	DESCRIPTION
15:0		R/W		Program to default

**Table 42. R64 Register Field Descriptions**

BIT	FIELD	TYPE	DEFAULT	DESCRIPTION
15:10		R/W		Program to default
9	ACAL_FAST	R/W	0	Enable fast amplitude calibration 1: enable 0: disable
8	FCAL_FAST	R/W	0	Enable fast frequency calibration 1: enable 0: disable
7:0		R/W		Program to default

## 8 Application and Implementation

### NOTE

Information in the following applications sections is not part of the TI component specification, and TI does not warrant its accuracy or completeness. TI's customers are responsible for determining suitability of components for their purposes. Customers should validate and test their design implementation to confirm system functionality.

### 8.1 Application Information

#### 8.1.1 Optimization of Spurs

##### 8.1.1.1 Understanding Spurs by Offsets

The first step in optimizing spurs is to be able to identify them by offset. Figure 23 gives a good example that can be used to isolate the following spur types.

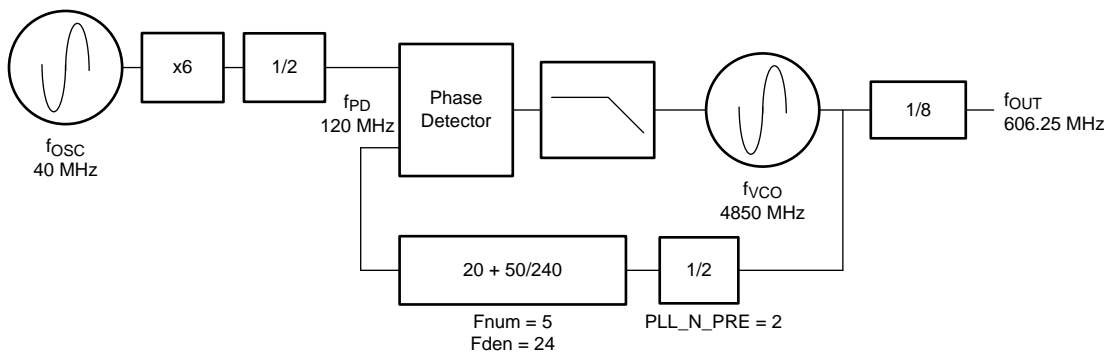


Figure 23. Spur Offset Frequency Example

Based on the above figure, the most common spurs can be calculated from the frequencies. Note that the % is the modulus operator and is meant to mean the difference to the closest integer multiple. Some examples of how to use this operator are:  $36 \% 11 = 3$ ,  $1000.1 \% 50 = 0.1$ , and  $5023.7 \% 122.88 = 14.38$ . Applying this concept, the spurs at various offsets can be identified from Figure 23.

Table 43. Spur Definition Table

SPUR TYPE	OFFSET	OFFSET IN Figure 23	COMMENTS
OSCin	$f_{osc}$	40 MHz	This spur occurs at harmonics of the OSCin frequency.
Fpd	$f_{PD}$	120 MHz	The phase detector spur has many possible mechanisms and occurs at multiples of the phase detector frequency.
$f_{OUT} \% f_{OSC}$	$f_{OUT} \% f_{OSC}$	$606.25 \% 40 = 6.25$ MHz	This spur is caused by mixing between the output and input frequencies.
$f_{VCO} \% f_{OSC}$	$f_{VCO} \% f_{OSC}$	$4850 \% 40 = 10$ MHz	This spur is caused by mixing between the VCO and input frequencies.
$f_{VCO} \% f_{PD}$	$f_{VCO} \% f_{PD}$	$4850 \% 120 = 50$ MHz	This spur would be the same offset as the integer boundary spur if $PLL\_N\_PRE=1$ , but can be different if this value is greater than one.
Integer Boundary	$f_{PD} * (F_{num} \% F_{den}) / F_{den}$	$120 \times (5 \% 24) / 24 = 25$ MHz	This is a single spur
Primary Fractional	$f_{PD} / F_{den}$	$120 / 24 = 5$ MHz	The primary fractional

**Application Information (continued)**
**Table 43. Spur Definition Table (continued)**

SPUR TYPE	OFFSET	OFFSET IN Figure 23	COMMENTS
Sub-Fractional	$f_{PD} / F_{den} / k$ k=2,3, or 6	First Order Modulator: None 2nd Order Modulator: $120/24/2 = 2.5$ MHz 3rd Order Modulator: $120/24/6 = 0.83333$ MHz 4th Order Modulator: $120/24/12 = 0.416666$ MHz	To Calculate k: 1st Order Modulator: k=1 2nd Order Modulator: k=1 if Fden is odd, k=2 if Fden is even 3rd Order Modulator: k=1 if Fden not divisible by 2 or 3, k=2 if Fden divisible by 2 not 3, k=3 if Fden divisible by 3 but not 2, Fden = 6 if Fden divisible by 2 and 3 4th Order Modulator: k=1 if Fden not divisible by 2 or 3, k=3 if Fden divisible by 3 but not 2, k=4 if Fden divisible by 2 but not 3, k=12 if Fden divisible by 2 and 3 Sub-Fractional Spurs exist if k>1

In the case that two different spur types occur at the same offset, either name would be correct. Some may name this by the more dominant cause, while others would simply name by choosing the name that is near the top of Table 43.

**8.1.1.2 Spur Mitigation Techniques**

Once the spur is identified and understood, there will likely be a desire to try to minimize them. The following table gives some common methods.

**Table 44. Spurs and Mitigation Techniques**

SPUR TYPE	WAYS TO REDUCE	TRADE-OFF
OSCin	<ol style="list-style-type: none"> <li>Use PLL_N_PRE = 2</li> <li>Use an OSCin signal with low amplitude and high slew rate (like LVDS).</li> </ol>	
Phase Detector	<ol style="list-style-type: none"> <li>Decrease PFD_DLY</li> <li>To pin 11, use a series ferrite bead and a shunt 0.1-μF capacitor.</li> </ol>	
$f_{OUT} \% f_{OSC}$	Use an OSCin signal with low amplitude and high slew rate (like LVDS)	
$f_{VCO} \% f_{OSC}$	<ol style="list-style-type: none"> <li>To pin 7, use a series ferrite bead and a shunt 0.1-μF capacitor.</li> <li>Increase the offset of this spur by shifting the VCO frequency</li> <li>If multiple VCO frequencies are possible that yield the same spur offset, choose the higher VCO frequency.</li> </ol>	
$f_{VCO} \% f_{PD}$	Avoid this spur by shifting the phase detector frequency (with the programmable input multiplier or R divider) or shifting the VCO frequency. This spur is better at higher VCO frequency.	
Integer Boundary	<b>Methods for PLL Dominated Spurs</b> <ol style="list-style-type: none"> <li>Avoid the worst case VCO frequencies if possible.</li> <li>Strategically choose which VCO core to use if possible.</li> <li>Ensure good slew rate and signal integrity at the OSCin pin</li> <li>Reduce the loop bandwidth or add more filter poles for out of band spurs</li> <li>Experiment with modulator order and PFD_DLY</li> </ol>	Reducing the loop bandwidth may degrade the total integrated noise if the bandwidth is too narrow.
	<b>Methods for VCO Dominated Spurs</b> <ol style="list-style-type: none"> <li>Avoid the worst case VCO frequencies if possible.</li> <li>Reduce Phase Detector Frequency</li> <li>Ensure good slew rate and signal integrity at the OSCin pin</li> <li>Make the impedance looking outwards from the OSCin pin close to 50 Ω.</li> </ol>	Reducing the phase detector may degrade the phase noise and also reduce the capacitance at the Vtune pin.

**Table 44. Spurs and Mitigation Techniques (continued)**

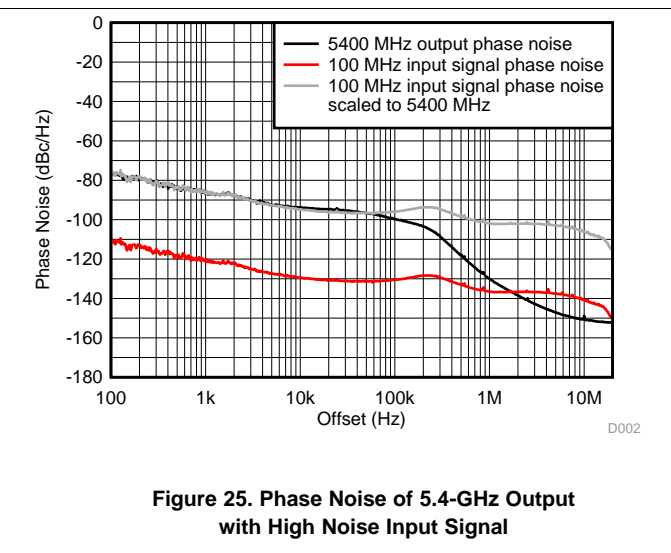
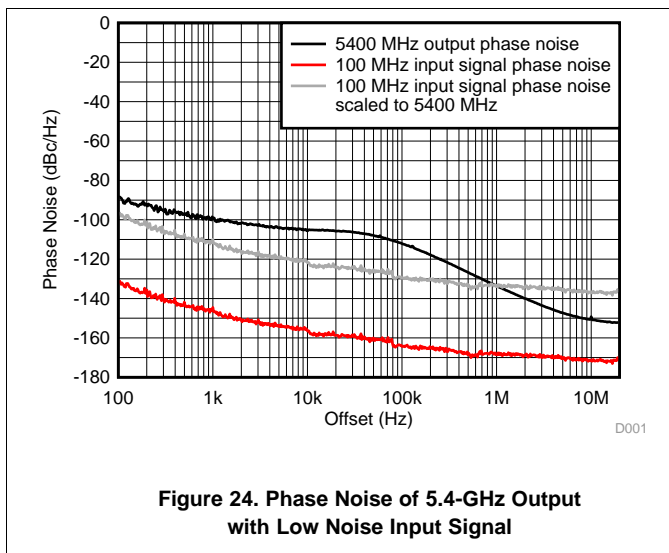
SPUR TYPE	WAYS TO REDUCE	TRADE-OFF
Primary Fractional	<ol style="list-style-type: none"> <li>1. Decrease Loop Bandwidth</li> <li>2. Change Modulator Order</li> <li>3. Use Larger Unequivalent Fractions</li> </ol>	Decreasing the loop bandwidth too much may degrade in-band phase noise. Also, larger unequivalent fractions only sometimes work
Sub-Fractional	<ol style="list-style-type: none"> <li>1. Use Dithering</li> <li>2. Use MASH seed</li> <li>3. Use Larger Equivalent Fractions</li> <li>4. Use Larger Unequivalent Fractions</li> <li>5. Reduce Modulator Order</li> <li>6. Eliminate factors of 2 or 3 in denominator (see AN-1879, <a href="#">SNAA062</a>)</li> </ol>	Dithering and larger fractions may increase phase noise. MASH_SEED can be set between values 0 and Fden, which will change the sub-fractional spur behavior. This is a deterministic relationship and there will be one seed value that will give best result for this spur.

### 8.1.2 Configuring the Input Signal Path

The input path is considered the portion of the device between the OSCin pin and the phase detector, which includes the input buffer, R dividers, and programmable multipliers. The way that these are configured can have a large impact on phase noise and fractional spurs.

#### 8.1.2.1 Input Signal Noise Scaling

The input signal noise scales by  $20 \cdot \log(\text{output frequency} / \text{input signal frequency})$ , so always check this to see if the noise of the input signal scaled to the output frequency is close to the PLL in-band noise level. When that happens, the input signal noise is the dominant noise source, not the PLL noise floor.



### 8.1.3 Input Pin Configuration

The OSCinM and OSCinP can be used to support both a single-ended or differential clock. In either configuration, the termination on both sides should match for best common-mode noise rejection. The slew rate and signal integrity of this signal can have an impact on both the phase noise and fractional spurs. Standard clocking types, LVDS, LVPECL, HCSL, and CMOS can all be used.

### 8.1.4 Using the OSCin Doubler

The lowest PLL flat noise is achieved with a low noise 200-MHz input signal. If only a low noise input signal with lower frequency is available (for example a 100-MHz source), you can use the low noise OSCin doubler to attain 200-MHz phase detector frequency. Since  $PLL_{flat} = PLL_{FOM} + 20 \cdot \log(F_{vco}/F_{pd}) + 10 \cdot \log(F_{pd} / 1\text{Hz})$ , doubling Fpd theoretically gets  $-6$  dB from the  $20 \cdot \log(F_{vco}/F_{pd})$  component,  $+3$  dB from the  $10 \cdot \log(F_{pd} / 1\text{Hz})$  component, and cumulatively a  $-3$ -dB improvement.

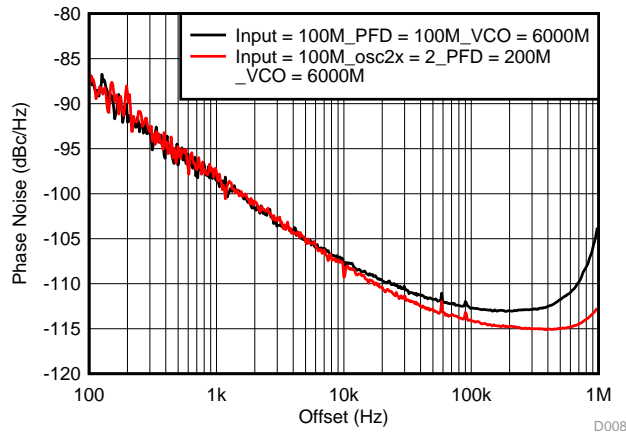


Figure 26. 100MHz Input with OSCin Doubler

### 8.1.5 Using the Input Signal Path Components

The ideal input is a low noise 200-MHz (or multiples of it) signal and 200-MHz phase detector frequency (highest dual PFD frequency). However, if spur mechanisms are understood, certain combinations of the R-divider and Multiplier can help. Refer to the optimization of spurs section for understanding spur types and their mechanisms first, then try this section for these specific spurs.

#### 8.1.5.1 Moving Phase Detector Frequency

Engaging the multiplier in the reference path allows more flexibility in setting the PFD frequency. One example use case of this is if  $F_{vco} \% F_{pd}$  is the dominant spur. This method can move the PFD frequency and thus the  $F_{vco} \% F_{pd}$ .

Example:  $F_{vco} = 3720.12$  MHz,  $F_{osc} = 300$  MHz, Pre-R divider = 5,  $F_{pd} = 60$  MHz,  $F_{vco} \% F_{osc} = 120.12$  MHz (Far out),  $F_{vco} \% F_{pd} = 120$  kHz (dominant). There is a  $F_{vco} \% F_{pd}$  spur at 120 kHz (refer to Figure 27).

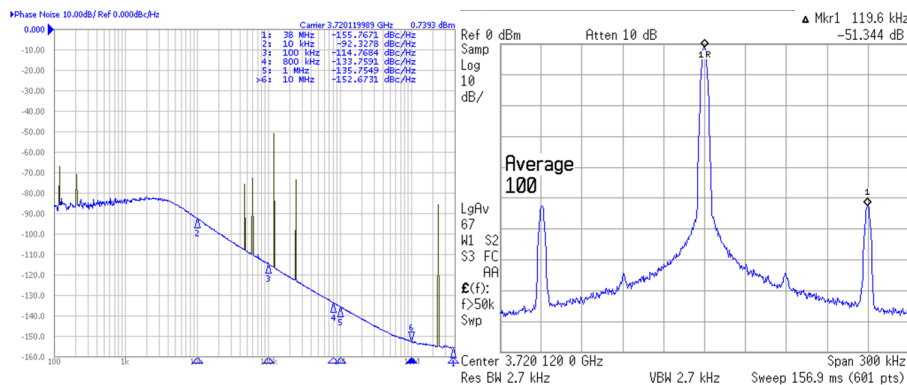


Figure 27.  $F_{vco} \% F_{pd}$  Spur

Then second case, using divider and multiplier, we make  $F_{pd} = 53.57$  MHz away from 120-kHz spur.  $F_{vco} = 3720.12$  MHz,  $F_{osc} = 300$  MHz, Pre-R divider = 7, Multiplier = 5, Post-R divider = 4,  $F_{pd} = 53.57$  MHz,  $F_{vco} \% F_{osc} = 120.12$  MHz (Far out).  $F_{vco} \% F_{pd} = 23.79$  MHz (far out). There is a 20-dB reduction for the  $F_{vco} \% F_{pd}$  spur at 120 kHz (refer to Figure 28).

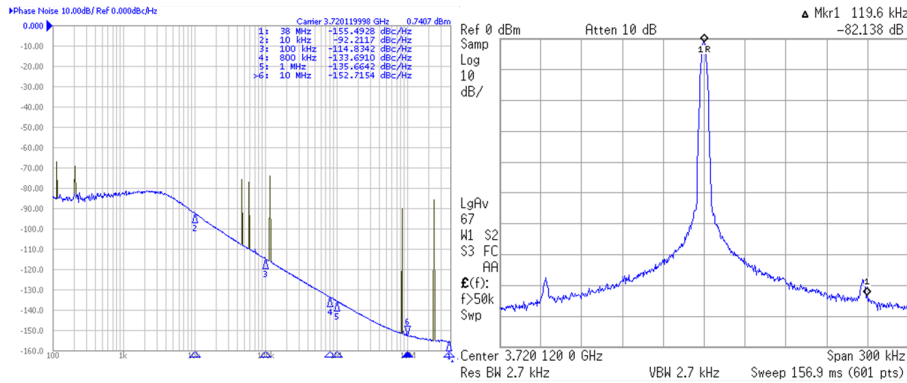


Figure 28. Moving Away from Fvco % Fpd Spur

### 8.1.5.2 Multiplying and Dividing by the Same Value

Although it may not seem like the first thing to try, the Fvco%Fosc and Fout%Fosc spur can sometimes be improved engaging the OSC\_2X bit and then dividing by 2. Although this gives the same phase detector frequency, the spur can be improved.

### 8.1.6 Designing for Output Power

If there is a desired frequency for highest power, use an inductor pull-up and design for the value so that the resonance is at that frequency. Use the formula  $SRF = 1 / (2\pi \times \text{sqrt}[L \times C])$ .

Example: C = 1.4 pF (characteristic). If max power is targeted at 1 GHz, L = 18 nH. If max power is targeted at 3.3 GHz, L = 1.6 nH

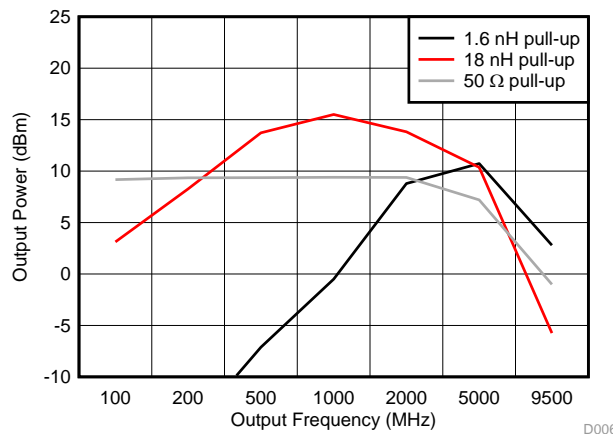


Figure 29. Output Power Versus Pull-Up Type

### 8.1.7 Current Consumption Management

The starting point is the typical total current consumption of 250 mA: 100-MHz input frequency, OSCin doubler bypassed, Pre-R divider bypassed, multiplier bypassed, post-R divider bypassed, 100-MHz phase detector frequency, 0.468-mA charge pump current, channel divider off, one output on, 6000-MHz output frequency, 50-Ω output pull-up, 0-dBm output power (differential). To understand current consumption changes due to engaging different functional blocks, refer to Table 45.

Table 45. Typical Current Consumption Impact By Function

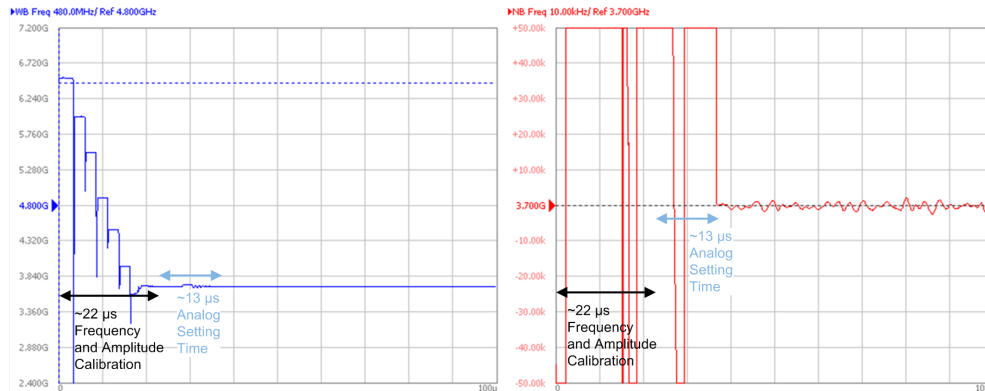
ACTION	STEPS	PROGRAMMING	INCREASE IN CURRENT (mA)
Use input signal path	Enable OSCin doubler	OSC_2X = 1	7
	Enable multiplier	MULT = 3,4,5, or 6	10

**Table 45. Typical Current Consumption Impact By Function (continued)**

ACTION	STEPS	PROGRAMMING	INCREASE IN CURRENT (mA)
Add an output	Route VCO to output B	VCO_DISTB_PD = 0	8
	Enable output B buffer	OUTB_PD = 0	54
Increase output power from 0 to +10dBm (differential)	Set highest output buffer current	OUTA_POW = 63	53
Use channel divider	Route channel divider to output	CHDIV_DISTA_EN = 1	5
	Enable channel divider	CHDIV_EN = 1	18
	Enable chdiv_seg1	CHDIV_SEG1_EN = 1	2
	Enable chdiv_seg2	CHDIV_SEG2_EN = 1	5
	Enable chdiv_seg3	CHDIV_SEG3_EN = 1	5
Using VCO doubler	Enable VCO doubler	VCO2X_EN	16

**8.1.8 Decreasing Lock Time**

Lock time consists of the calibration time (time for internal algorithm to set to desired output frequency) plus the analog settling time (time to settle to the final Vtune value). For fast calibration set registers FCAL\_FAST = 1 and ACAL\_FAST = 1. Also set the calibration clock (input frequency / 2^CAL\_CLK\_DIV) close to the maximum (200 MHz). For fast analog settling time, design loop filter for very wide loop bandwidth (MHz range).



**Figure 30. Lock Time Screenshot**

The calibration sweeps from the top of the VCO frequency range to the bottom. This example does a calibration to lock at 3.7 GHz (which is the worst case). For the left screenshot (Wideband Frequency view), see the sweeping from top to bottom of the VCO range. On the right screenshot (Narrowband Frequency view), see the analog settling time to the precise target frequency.

**8.1.9 Modeling and Understanding PLL FOM and Flicker Noise**

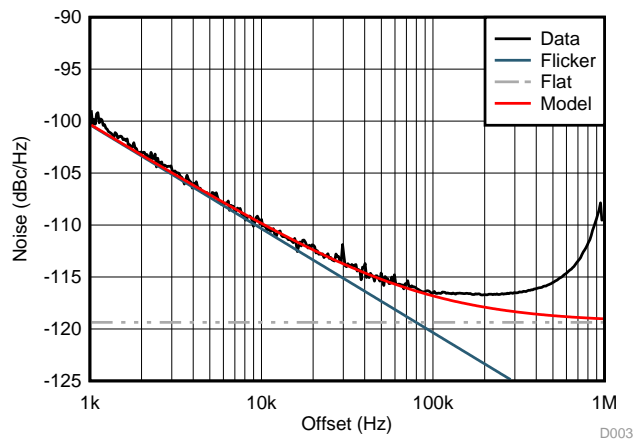
Follow these recommended settings to design for wide loop bandwidth and extract FOM and flicker noise. The flat model is the PLL noise floor modeled by:  $PLL\_flat = PLL\_FOM + 20 \cdot \log(F_{vco}/F_{pd}) + 10 \cdot \log(F_{pd} / 1 \text{ Hz})$ . The flicker noise (also known as 1/f noise) which changes by -10dB / decade, is modeled by:  $PLL\_flicker(\text{offset}) = PLL\_flicker\_Norm + 20 \cdot \log(F_{vco} / 1 \text{ GHz}) - 10 \cdot \log(\text{offset} / 10\text{k Hz})$ . The cumulative model is the addition of both components:  $PLL\_Noise = 10 \cdot \log(10PLL\_Flat / 10 + 10PLL\_flicker / 10)$ . This is adjusted to fit the the measured data to extract the PLL\_FOM and PLL\_flicker\_Norm spec numbers.

**Table 46. Wide Loop Filter Design**

PARAMETER	VALUE
PFD (MHz)	200
Charge pump (mA)	12
VCO frequency (MHz)	5400
Loop bandwidth (kHz)	2000

**Table 46. Wide Loop Filter Design (continued)**

PARAMETER	VALUE
Phase margin (degrees)	30
Gamma	1.4
Loop filter (2nd order)	
C1 (nF)	0.01
C2 (nF)	0.022
R2 (kohms)	4.7



**Figure 31. FOM and Flicker Noise Modeling**



## 8.2 Typical Application

### 8.2.1 Design for Low Jitter

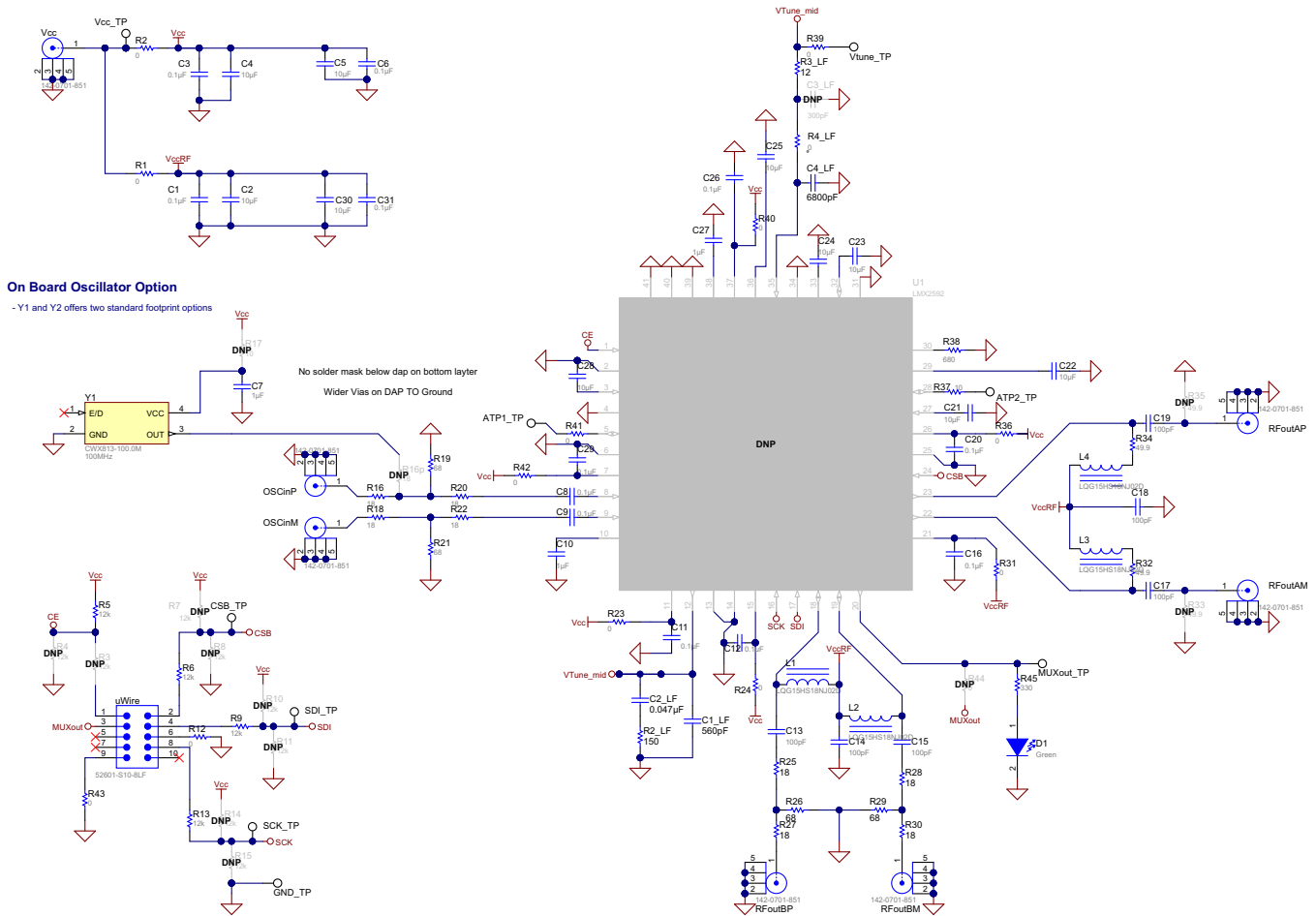


Figure 32. Typical Application Schematic

#### 8.2.1.1 Design Requirements

Refer to the design parameters shown in Table 47.

Table 47. Design Information

PARAMETER	VALUE
PFD (MHz)	200
Charge pump (mA)	4.8
VCO frequency (MHz)	6000
Loop bandwidth (kHz)	210
Phase margin (degrees)	70
Gamma	3.8
Loop filter (2nd order)	
C1 (nF)	4.7
C2 (nF)	100
R2 (ohms)	0.068

### 8.2.1.2 Detailed Design Procedure

The integration of phase noise over a certain bandwidth (jitter) is an performance specification that translates to signal-to-noise ratio. Phase noise inside the loop bandwidth is dominated by the PLL, while the phase noise outside the loop bandwidth is dominated by the VCO. As a rule of thumb, jitter will be lowest if loop bandwidth is designed to the point where the two intersect. A higher phase margin loop filter design will have less peaking at the loop bandwidth and thus lower jitter. The tradeoff with this as longer lock times and spurs should be considered in design as well.

### 8.2.1.3 Application Curves

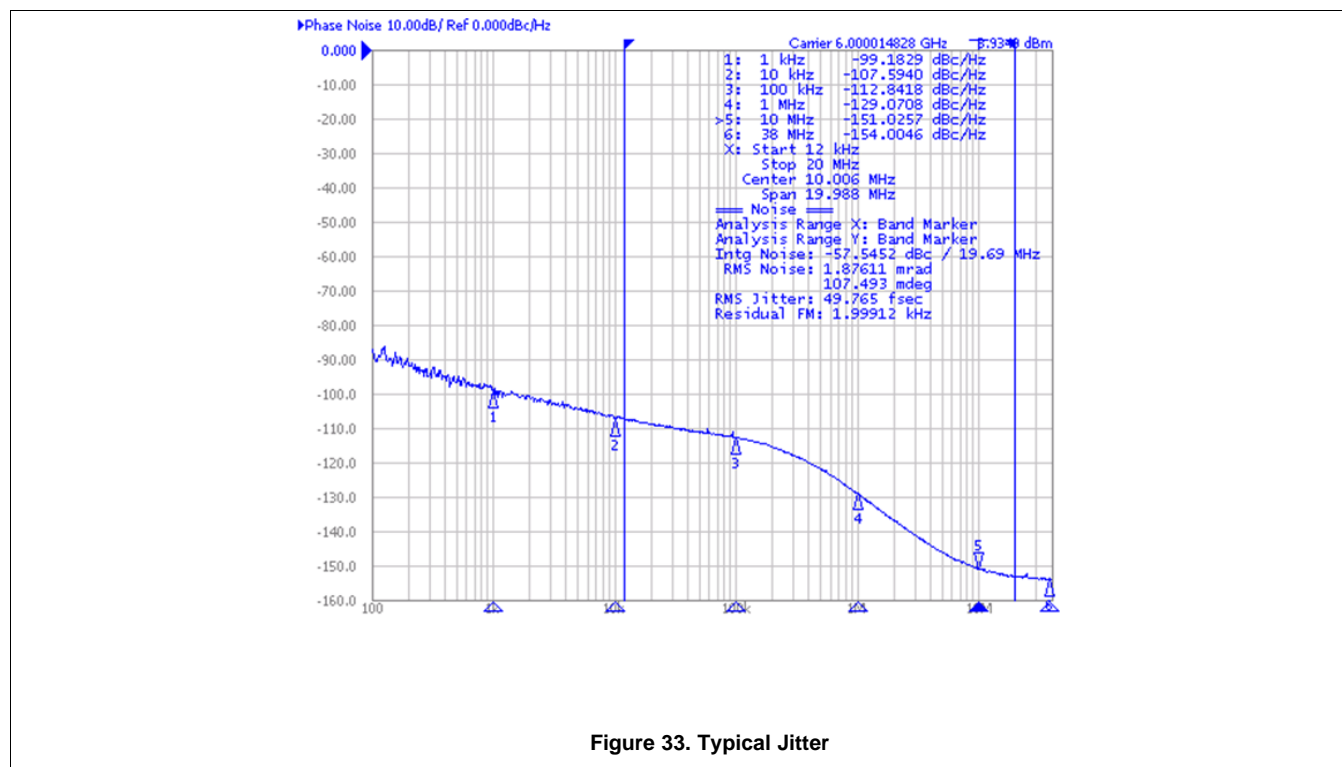


Figure 33. Typical Jitter

## 9 Power Supply Recommendations

It is recommended to place 100 nF close to each of the power supply pins. If fractional spurs are a large concern, using a ferrite bead to each of these power supply pins can reduce spurs to a small degree.

## 10 Layout

### 10.1 Layout Guidelines

See EVM instructions for details. In general, the layout guidelines are similar to most other PLL devices. The followings are some outstanding guidelines.

- Place output pull up components close to the pin.
- Place capacitors close to the pins.
- Make sure input signal trace is well matched.
- Do not route any traces that carrying switching signal close to the charge pump traces and external VCO.

### 10.2 Layout Example

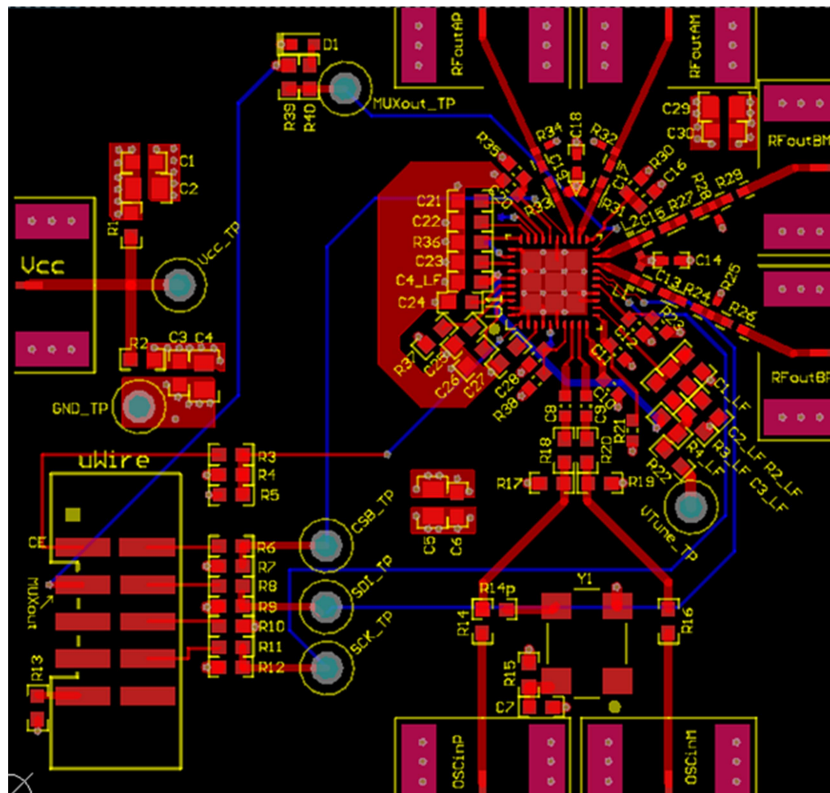


Figure 34. Recommended Layout

## 11 Device and Documentation Support

### 11.1 Device Support

#### 11.1.1 Development Support

Texas Instruments has several software tools to aid in the development at [www.ti.com](http://www.ti.com). Among these tools are:

- Codeloader to understand how to program the EVM board.
- Clock Design Tool for designing loop filters, simulating phase noise, and simulating spurs.
- EVM board instructions for seeing typical measured data with detailed measurement conditions and a complete design.
- Clock Architect for designing and simulating the device and understanding how it might work with other devices.

### 11.2 Documentation Support

#### 11.2.1 Related Documentation

The following are recommended reading.

- *AN-1879 Fractional N Frequency Synthesis* ([SNAA062](#))
- *PLL Performance, Simulation, and Design Handbook* ([SNAA106](#))

### 11.3 Community Resources

The following links connect to TI community resources. Linked contents are provided "AS IS" by the respective contributors. They do not constitute TI specifications and do not necessarily reflect TI's views; see TI's [Terms of Use](#).

**TI E2E™ Online Community** *TI's Engineer-to-Engineer (E2E) Community*. Created to foster collaboration among engineers. At [e2e.ti.com](http://e2e.ti.com), you can ask questions, share knowledge, explore ideas and help solve problems with fellow engineers.

**Design Support** *TI's Design Support* Quickly find helpful E2E forums along with design support tools and contact information for technical support.

### 11.4 Trademarks

E2E is a trademark of Texas Instruments.

### 11.5 Electrostatic Discharge Caution



These devices have limited built-in ESD protection. The leads should be shorted together or the device placed in conductive foam during storage or handling to prevent electrostatic damage to the MOS gates.

### 11.6 Glossary

[SLYZ022](#) — *TI Glossary*.

This glossary lists and explains terms, acronyms, and definitions.

## 12 Mechanical, Packaging, and Orderable Information

The following pages include mechanical, packaging, and orderable information. This information is the most current data available for the designated devices. This data is subject to change without notice and revision of this document. For browser-based versions of this data sheet, refer to the left-hand navigation.

**PACKAGING INFORMATION**

Orderable Device	Status (1)	Package Type	Package Drawing	Pins	Package Qty	Eco Plan (2)	Lead/Ball Finish (6)	MSL Peak Temp (3)	Op Temp (°C)	Device Marking (4/5)	Samples
LMX2592RHAR	ACTIVE	VQFN	RHA	40	2500	Green (RoHS & no Sb/Br)	CU NIPDAUAG	Level-3-260C-168 HR	-40 to 85	LMX2592	<a href="#">Samples</a>
LMX2592RHAT	ACTIVE	VQFN	RHA	40	250	Green (RoHS & no Sb/Br)	CU NIPDAUAG	Level-3-260C-168 HR	-40 to 85	LMX2592	<a href="#">Samples</a>

(1) The marketing status values are defined as follows:

**ACTIVE:** Product device recommended for new designs.

**LIFEBUY:** TI has announced that the device will be discontinued, and a lifetime-buy period is in effect.

**NRND:** Not recommended for new designs. Device is in production to support existing customers, but TI does not recommend using this part in a new design.

**PREVIEW:** Device has been announced but is not in production. Samples may or may not be available.

**OBsolete:** TI has discontinued the production of the device.

(2) Eco Plan - The planned eco-friendly classification: Pb-Free (RoHS), Pb-Free (RoHS Exempt), or Green (RoHS & no Sb/Br) - please check <http://www.ti.com/productcontent> for the latest availability information and additional product content details.

**TBD:** The Pb-Free/Green conversion plan has not been defined.

**Pb-Free (RoHS):** TI's terms "Lead-Free" or "Pb-Free" mean semiconductor products that are compatible with the current RoHS requirements for all 6 substances, including the requirement that lead not exceed 0.1% by weight in homogeneous materials. Where designed to be soldered at high temperatures, TI Pb-Free products are suitable for use in specified lead-free processes.

**Pb-Free (RoHS Exempt):** This component has a RoHS exemption for either 1) lead-based flip-chip solder bumps used between the die and package, or 2) lead-based die adhesive used between the die and leadframe. The component is otherwise considered Pb-Free (RoHS compatible) as defined above.

**Green (RoHS & no Sb/Br):** TI defines "Green" to mean Pb-Free (RoHS compatible), and free of Bromine (Br) and Antimony (Sb) based flame retardants (Br or Sb do not exceed 0.1% by weight in homogeneous material)

(3) MSL, Peak Temp. - The Moisture Sensitivity Level rating according to the JEDEC industry standard classifications, and peak solder temperature.

(4) There may be additional marking, which relates to the logo, the lot trace code information, or the environmental category on the device.

(5) Multiple Device Markings will be inside parentheses. Only one Device Marking contained in parentheses and separated by a "~" will appear on a device. If a line is indented then it is a continuation of the previous line and the two combined represent the entire Device Marking for that device.

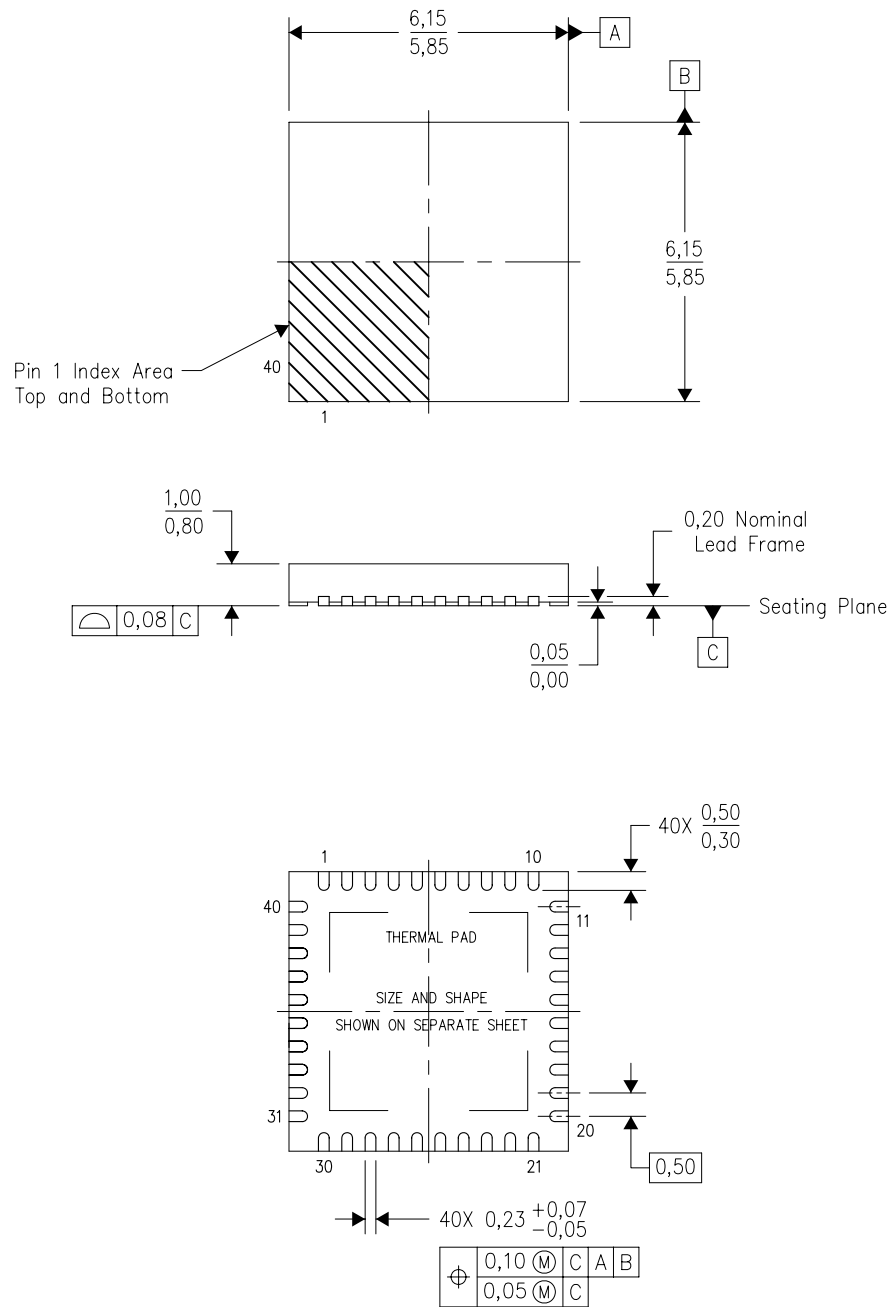
(6) Lead/Ball Finish - Orderable Devices may have multiple material finish options. Finish options are separated by a vertical ruled line. Lead/Ball Finish values may wrap to two lines if the finish value exceeds the maximum column width.

**Important Information and Disclaimer:** The information provided on this page represents TI's knowledge and belief as of the date that it is provided. TI bases its knowledge and belief on information provided by third parties, and makes no representation or warranty as to the accuracy of such information. Efforts are underway to better integrate information from third parties. TI has taken and continues to take reasonable steps to provide representative and accurate information but may not have conducted destructive testing or chemical analysis on incoming materials and chemicals. TI and TI suppliers consider certain information to be proprietary, and thus CAS numbers and other limited information may not be available for release.

In no event shall TI's liability arising out of such information exceed the total purchase price of the TI part(s) at issue in this document sold by TI to Customer on an annual basis.

RHA (S-PVQFN-N40)

PLASTIC QUAD FLATPACK NO-LEAD



Bottom View

4204276/E 06/11

- NOTES:
- All linear dimensions are in millimeters. Dimensioning and tolerancing per ASME Y14.5M-1994.
  - This drawing is subject to change without notice.
  - QFN (Quad Flatpack No-Lead) Package configuration.
  - The package thermal pad must be soldered to the board for thermal and mechanical performance.
  - See the additional figure in the Product Data Sheet for details regarding the exposed thermal pad features and dimensions.
  - Package complies to JEDEC MO-220 variation VJJD-2.

## IMPORTANT NOTICE

Texas Instruments Incorporated and its subsidiaries (TI) reserve the right to make corrections, enhancements, improvements and other changes to its semiconductor products and services per JESD46, latest issue, and to discontinue any product or service per JESD48, latest issue. Buyers should obtain the latest relevant information before placing orders and should verify that such information is current and complete. All semiconductor products (also referred to herein as "components") are sold subject to TI's terms and conditions of sale supplied at the time of order acknowledgment.

TI warrants performance of its components to the specifications applicable at the time of sale, in accordance with the warranty in TI's terms and conditions of sale of semiconductor products. Testing and other quality control techniques are used to the extent TI deems necessary to support this warranty. Except where mandated by applicable law, testing of all parameters of each component is not necessarily performed.

TI assumes no liability for applications assistance or the design of Buyers' products. Buyers are responsible for their products and applications using TI components. To minimize the risks associated with Buyers' products and applications, Buyers should provide adequate design and operating safeguards.

TI does not warrant or represent that any license, either express or implied, is granted under any patent right, copyright, mask work right, or other intellectual property right relating to any combination, machine, or process in which TI components or services are used. Information published by TI regarding third-party products or services does not constitute a license to use such products or services or a warranty or endorsement thereof. Use of such information may require a license from a third party under the patents or other intellectual property of the third party, or a license from TI under the patents or other intellectual property of TI.

Reproduction of significant portions of TI information in TI data books or data sheets is permissible only if reproduction is without alteration and is accompanied by all associated warranties, conditions, limitations, and notices. TI is not responsible or liable for such altered documentation. Information of third parties may be subject to additional restrictions.

Resale of TI components or services with statements different from or beyond the parameters stated by TI for that component or service voids all express and any implied warranties for the associated TI component or service and is an unfair and deceptive business practice. TI is not responsible or liable for any such statements.

Buyer acknowledges and agrees that it is solely responsible for compliance with all legal, regulatory and safety-related requirements concerning its products, and any use of TI components in its applications, notwithstanding any applications-related information or support that may be provided by TI. Buyer represents and agrees that it has all the necessary expertise to create and implement safeguards which anticipate dangerous consequences of failures, monitor failures and their consequences, lessen the likelihood of failures that might cause harm and take appropriate remedial actions. Buyer will fully indemnify TI and its representatives against any damages arising out of the use of any TI components in safety-critical applications.

In some cases, TI components may be promoted specifically to facilitate safety-related applications. With such components, TI's goal is to help enable customers to design and create their own end-product solutions that meet applicable functional safety standards and requirements. Nonetheless, such components are subject to these terms.

No TI components are authorized for use in FDA Class III (or similar life-critical medical equipment) unless authorized officers of the parties have executed a special agreement specifically governing such use.

Only those TI components which TI has specifically designated as military grade or "enhanced plastic" are designed and intended for use in military/aerospace applications or environments. Buyer acknowledges and agrees that any military or aerospace use of TI components which have **not** been so designated is solely at the Buyer's risk, and that Buyer is solely responsible for compliance with all legal and regulatory requirements in connection with such use.

TI has specifically designated certain components as meeting ISO/TS16949 requirements, mainly for automotive use. In any case of use of non-designated products, TI will not be responsible for any failure to meet ISO/TS16949.

### Products

Audio	<a href="http://www.ti.com/audio">www.ti.com/audio</a>
Amplifiers	<a href="http://amplifier.ti.com">amplifier.ti.com</a>
Data Converters	<a href="http://dataconverter.ti.com">dataconverter.ti.com</a>
DLP® Products	<a href="http://www.dlp.com">www.dlp.com</a>
DSP	<a href="http://dsp.ti.com">dsp.ti.com</a>
Clocks and Timers	<a href="http://www.ti.com/clocks">www.ti.com/clocks</a>
Interface	<a href="http://interface.ti.com">interface.ti.com</a>
Logic	<a href="http://logic.ti.com">logic.ti.com</a>
Power Mgmt	<a href="http://power.ti.com">power.ti.com</a>
Microcontrollers	<a href="http://microcontroller.ti.com">microcontroller.ti.com</a>
RFID	<a href="http://www.ti-rfid.com">www.ti-rfid.com</a>
OMAP Applications Processors	<a href="http://www.ti.com/omap">www.ti.com/omap</a>
Wireless Connectivity	<a href="http://www.ti.com/wirelessconnectivity">www.ti.com/wirelessconnectivity</a>

### Applications

Automotive and Transportation	<a href="http://www.ti.com/automotive">www.ti.com/automotive</a>
Communications and Telecom	<a href="http://www.ti.com/communications">www.ti.com/communications</a>
Computers and Peripherals	<a href="http://www.ti.com/computers">www.ti.com/computers</a>
Consumer Electronics	<a href="http://www.ti.com/consumer-apps">www.ti.com/consumer-apps</a>
Energy and Lighting	<a href="http://www.ti.com/energy">www.ti.com/energy</a>
Industrial	<a href="http://www.ti.com/industrial">www.ti.com/industrial</a>
Medical	<a href="http://www.ti.com/medical">www.ti.com/medical</a>
Security	<a href="http://www.ti.com/security">www.ti.com/security</a>
Space, Avionics and Defense	<a href="http://www.ti.com/space-avionics-defense">www.ti.com/space-avionics-defense</a>
Video and Imaging	<a href="http://www.ti.com/video">www.ti.com/video</a>

### TI E2E Community

[e2e.ti.com](http://e2e.ti.com)